

Job Name: 24-3511 Coles Ferry Section 18 & 19	Plant: Beaver Dam, KY	Tech: J. Horsley	
Job Location: Lebanon, TN Contractor: Covenant Constructors, LLC	2/23/2026 4:40:44 PM	PC: A. Chambers	

Structure ID: SAMH A3
P3 MH048CCN36X CON XYPEX CONE w/24" HOLE F/G

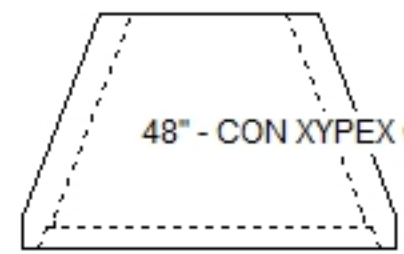
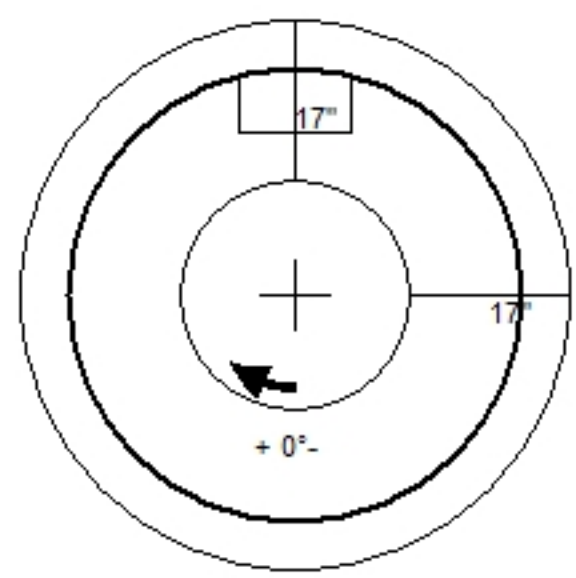
P4) 24" - CASTING HEIGHT - 6"	0 lb
P3) 48" - CON XYPEX CONE w/24" HOLE F/G - 36"	2251 lb
P2) 48" - MH RISER w/XYPEX T/G - 24"	1677 lb
P1) 48" - MH BASE w/XYPEX T/n - 24"	2959 lb
1) 48" - MH INVERT CHANNEL w/XYPEX - FULL HEIGHT	1440 lb
1) JOINT WRAP - 0.085"x8"x50' CONSEAL CS212	0 lb
1) JOINT WRAP PRIMER - CONSEAL CS-75 (1 gal.)	0 lb
1) ADMIXTURE XYPEX C-500 NF RED	0 lb
1) CASTING - JBS 1155 F/C SANITARY	250 lb
2) 48" - DBL 1"x14.5" Butyl (2x)	0 lb
1) Kor-N-Seal1 - S108-12AW	6 lb
7) MH Step ML-10-TDS-NCR - 10"	0 lb
Structure Total:	8583 lb

Structure Notes:

- PER ASTM C478 SPECIFICATIONS.
- CONCRETE = 4,000 PSI AT 28 DAYS.
- ADMIXTURE = XYPEX C-500 NF RED 3.5% BY WEIGHT OF CEMENT
- CASTING BY ICAST (JBS 1155 F/C).

REINFORCING PER ASTM A615 (GRADE 60).

- CONE (As .12)
- RISER (As .12)
- FLOOR (As .31) #5 BARS AT 12" C.C.E.W.



48" - CON XYPEX CONE w/24" HOLE F/G - 36" - (P3)

Coating (Int):	Seam Up: Flat	Wall Thickness: 5"	Height (Ext): 36"	Weight (Net): 2251 lb
Coating (Ext):	Seam Dn: Groove			Volume (Net): 0.57cu.yd