

**Job Name: 24-3511 Coles Ferry Section 18 & 19**  
**Job Location: Lebanon, TN**  
**Contractor: Covenant Constructors, LLC**

PC: A. Chambers  
 TECH: J. Horsley  
 Plant: Beaver Dam, KY



Structure ID: **JB2**  
 Spec: Storm  
 Type: STM.MH  
 Size: 48"

Rim: 575.8'  
 Invert: 570.47'  
 Rim to Invert: 5.33'

Sump: 2.25"  
 Floor (Top): 570.283'  
 Floor Height: 6"

Floor (Bot): 569.783'  
 Overall Height: 5.917'  
 Slack: 1.21"

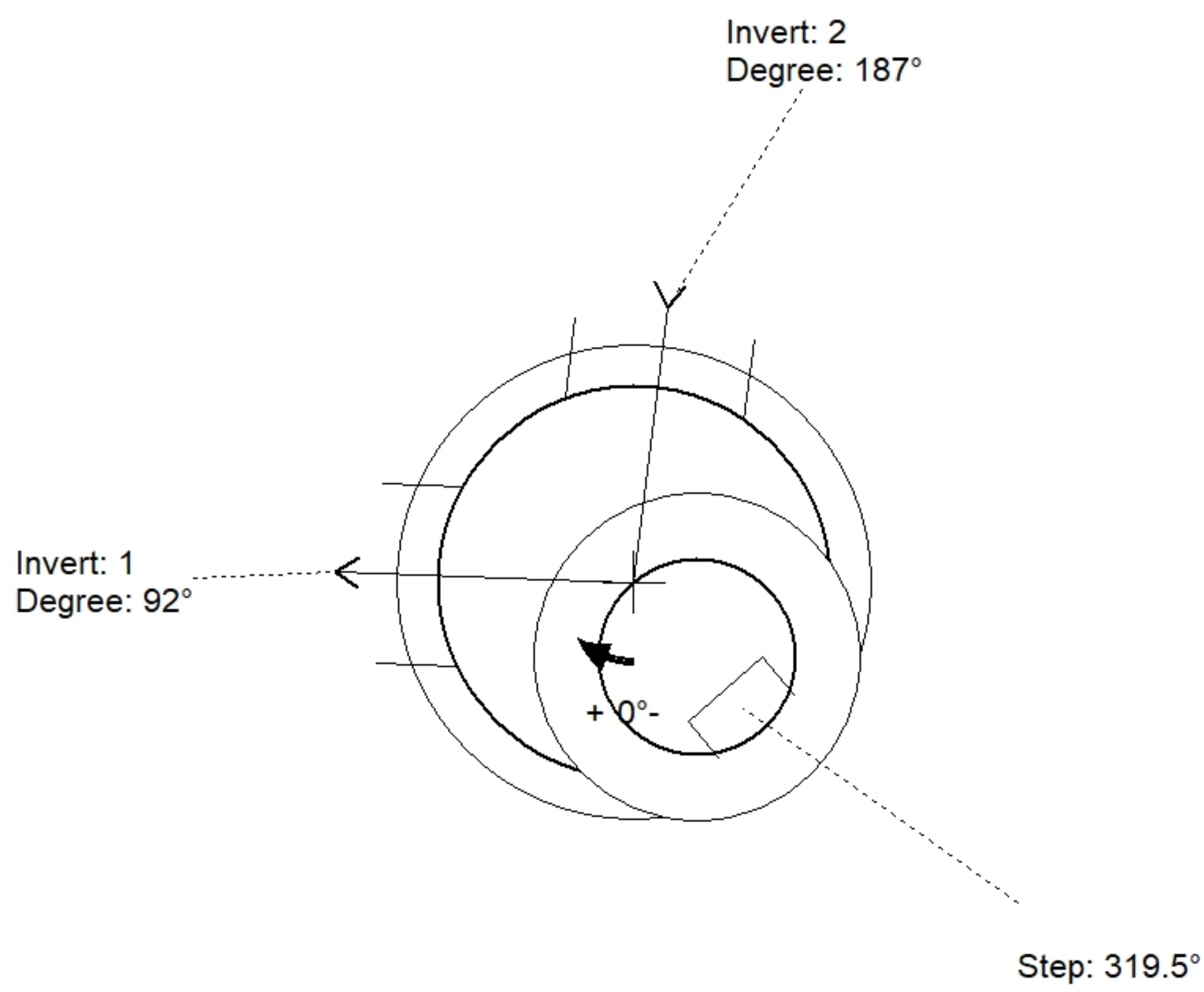
**Structure Notes:**

1. PER ASTM C478 SPECIFICATIONS.
2. CONCRETE = 4,500 PSI AT 28 DAYS.
3. NO INVERT CHANNEL.
4. CASTING BY ICAST (JBS 1150 F/C)

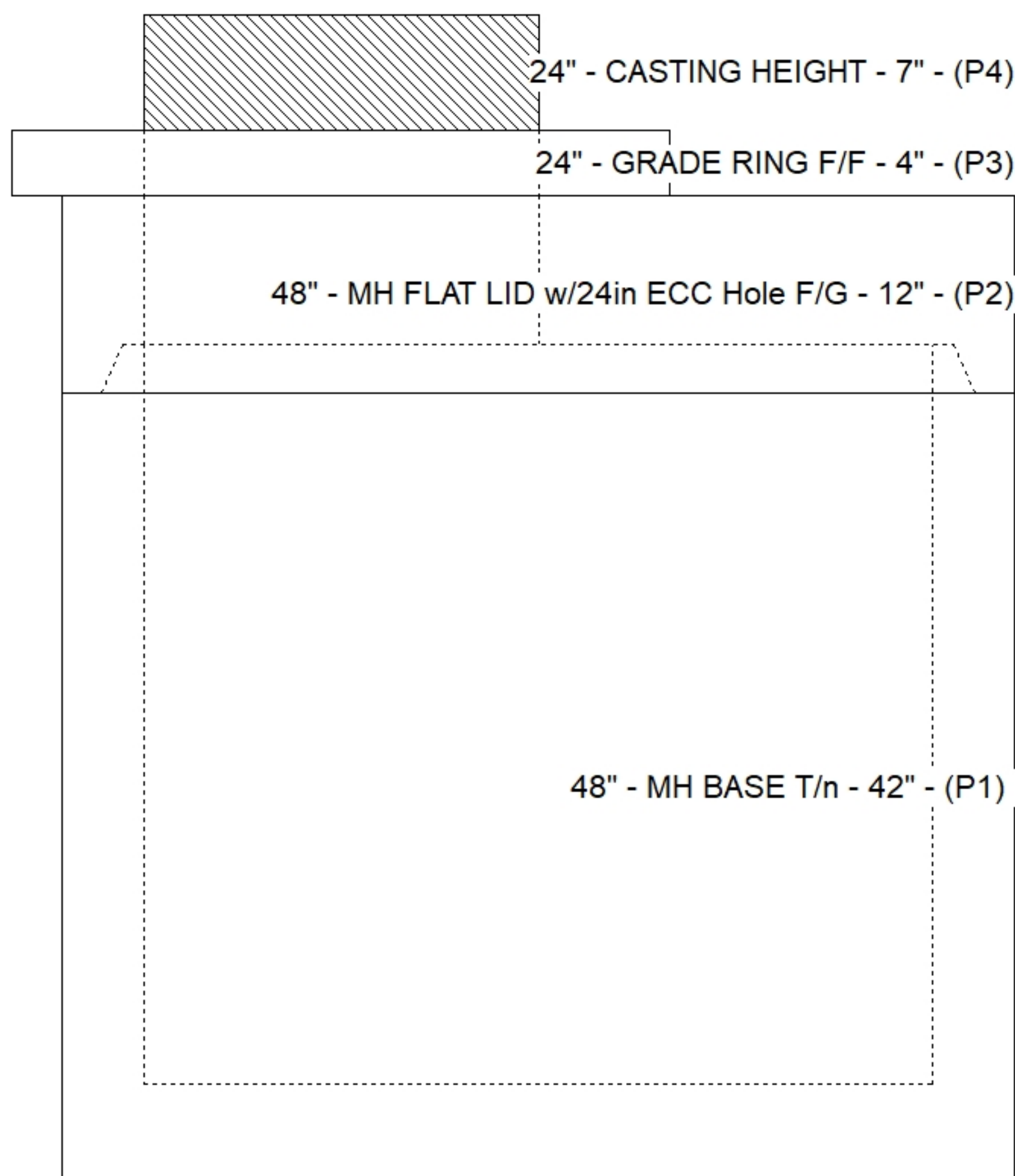
REINFORCING PER ASTM A615 (GRADE 60).  
 - TOP SLAB H20 LOADING..  
 - RISER/WALLS (As .12)  
 - FLOOR (As .31) #5 BARS AT 12" C.C.E.W.

**STRUCTURE SUMMARY:**

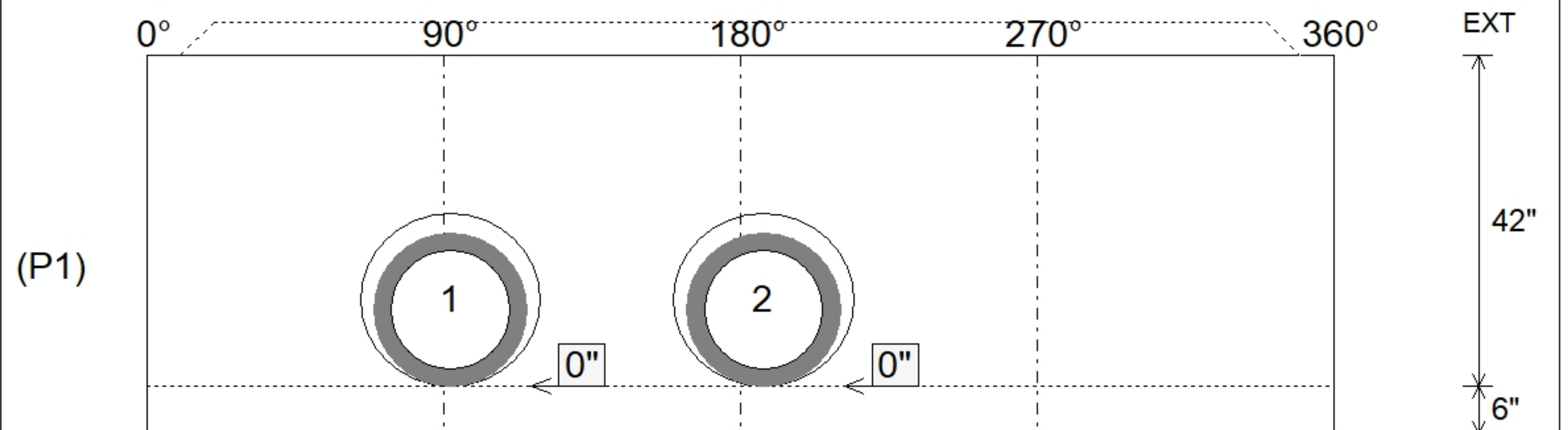
P4) 24" - CASTING HEIGHT - 7"	0 lb
P3) 24" - GRADE RING F/F - 4"	270 lb
P2) 48" - MH FLAT LID w/24in ECC Hole F/G - 12"	1561 lb
P1) 48" - MH BASE T/n - 42"	3935 lb
1) CASTING - JBS 1150 F/C STORM	250 lb
1) 48" - Conseal CS-102 1.00"	0 lb
2) Hole - 22	0 lb
3) MH Step ML-10-TDS-NCR - 10"	0 lb
<b>Structure Total:</b>	<b>6016 lb</b>



Position	Elev	Angle	Pipe	Pipe OD	Hole	Connector	Up ( )	Ref
Rim	575.8'							
Reducer								
Invert 1	570.47'	92°	15" RCP B WALL	19.5"	22"	Hole 22	0"	P1
Invert 2	570.47'	187°	15" RCP B WALL	19.5"	22"	Hole 22	0"	P1
Invert 3								
Invert 4								
Invert 5								
Invert 6								
Invert 7								
Invert 8								



**Cast (Int. Dim.) - Interior Dimensions**



Submittal Drawing  
 2/23/2026 4:38:24 PM

SUBMITTAL  
 APPROVED BY: