

**Structure ID: JB1**

**P1 MH048BA36**

**MH BASE T/n**

P4) 24" - CASTING HEIGHT - 7" P3) 24" - GRADE RING F/F - 4" P2) 48" - MH FLAT LID w/24in ECC Hole F/G - 12" P1) 48" - MH BASE T/n - 36" 1) CASTING - JBS 1150 F/C STORM 1) 48" - Conseal CS-102 1.00" 2) Hole - 22 3) MH Step ML-10-TDS-NCR - 10"	0 lb 270 lb 1561 lb 3516 lb 250 lb 0 lb 0 lb 0 lb ----- 5597 lb	<b>Structure Notes:</b> 1. PER ASTM C478 SPECIFICATIONS. 2. CONCRETE = 4,500 PSI AT 28 DAYS. 3. NO INVERT CHANNEL. 4. CASTING BY ICAST (JBS 1150 F/C)  REINFORCING PER ASTM A615 (GRADE 60). - TOP SLAB H2O LOADING.. - RISER/WALLS (As .12) - FLOOR (As .31) #5 BARS AT 12" C.C.E.W.
--	--	--

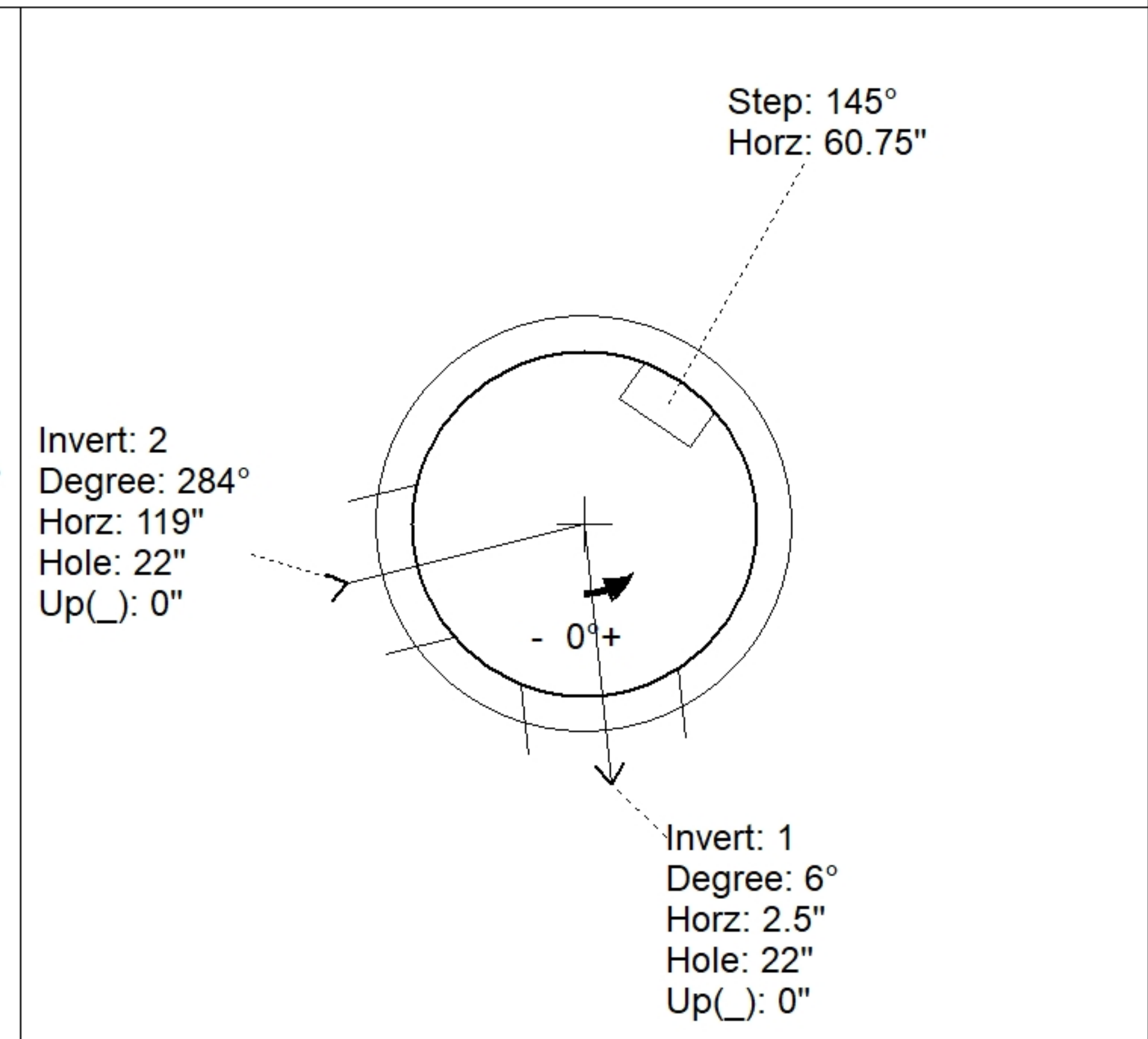
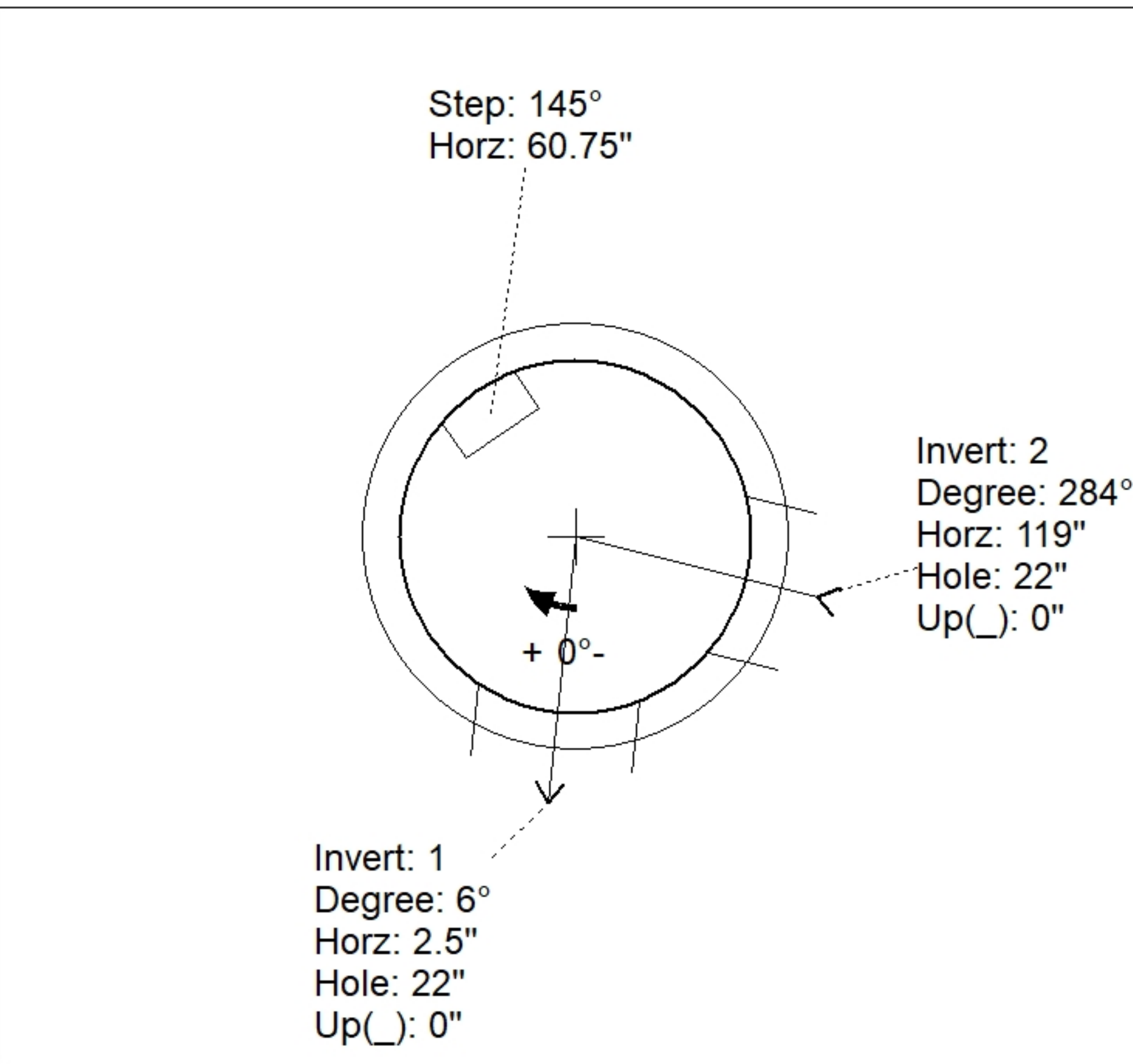
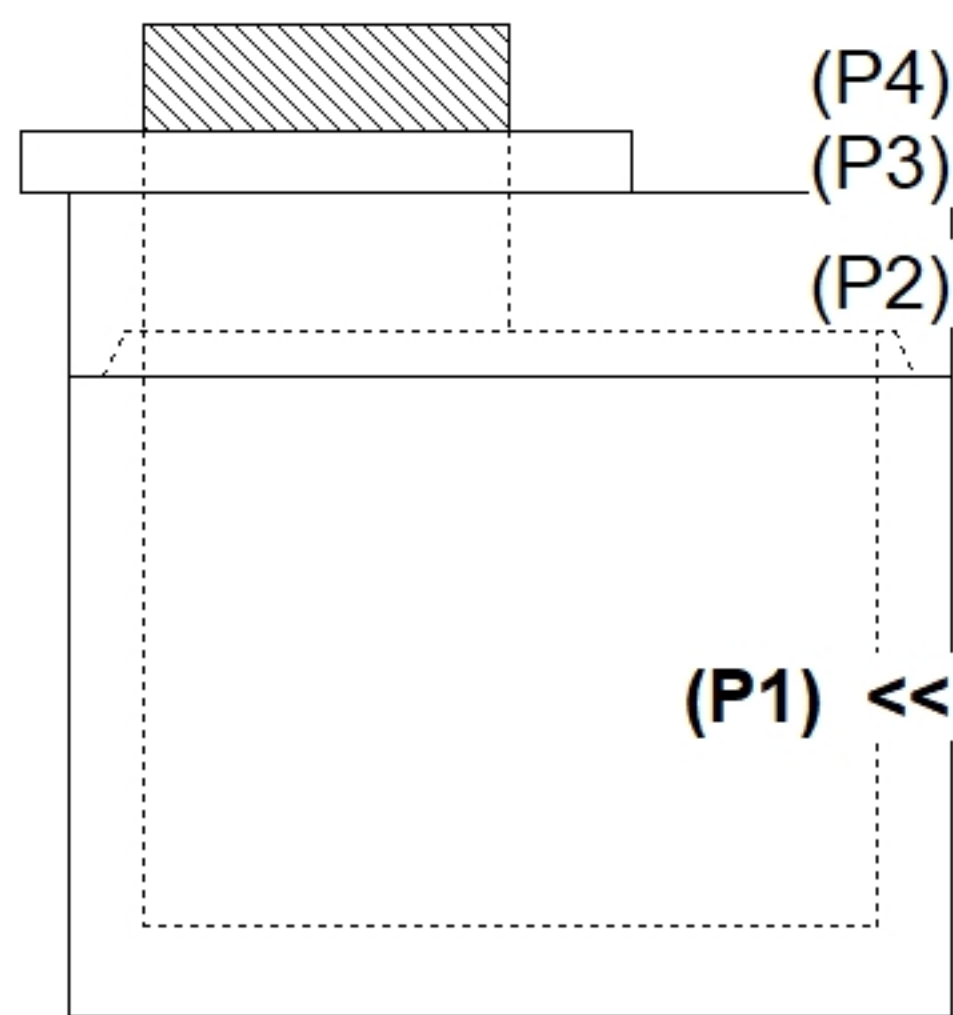
Structure Total: 5597 lb

Rim: 576.5' Rim to Invert: 4.84' Slack: 1.33" Sump: 2.25" Step Position: 145°

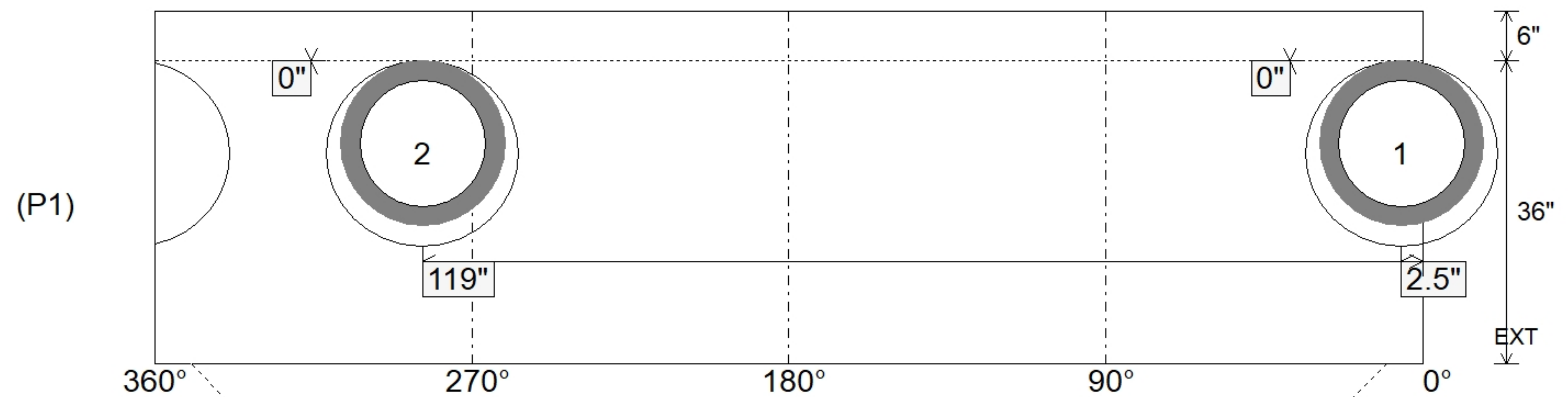
Position	Elev	Angle	Ext. (cw)	Pipe	Pipe OD	Connector	Hole	Horz Size	Up ( )	Offset
Invert 1	571.66'	6°	3"	15" RCP B WALL	19.5"	Hole 22	22"	22.854"	0"	0"
Invert 2	571.66'	284°	143.75"	15" RCP B WALL	19.5"	Hole 22	22"	22.854"	0"	0"
Invert 3										
Invert 4										
Invert 5										
Invert 6										
Invert 7										
Invert 8										

RIGHT-SIDE UP VIEW (int. dimensions)

UPSIDE-DOWN VIEW (int. dimensions)



INSIDE WALL DIMENSIONS



Coating (Int):	Seam Up: Tongue	Wall Thickness: 5"	Height (Int): 36"	Weight (Net): 3516 lb
Coating (Ext):	Seam Dn: n/a	Floor Height: 6"	Height (Ext): 42"	Volume (Net): 0.9cu.yd