

Job Name: 24-3511 Coles Ferry Section 18 & 19	Plant: Beaver Dam, KY	Tech: J. Horsley	
Job Location: Lebanon, TN Contractor: Covenant Constructors, LLC	2/23/2026 4:39:06 PM	PC: A. Chambers	

Structure ID: CB8

P1 BX28280606VH

BOX BASE 6inW, 6inF, Variable Ht F/n

P2) 28" x 28" - CASTING HEIGHT - 6"	0 lb
P1) 28" x 28" - BOX BASE 6inW, 6inF, Variable Ht F/n - 25"	2326 lb
1) CASTING - JBS 3101 Single Set (F/G/H)	500 lb
1) 28" x 28" - Conseal CS-102 1.00"	0 lb
1) Hole - 22	0 lb
Structure Total:	2826 lb

Structure Notes:

- PER ASTM C913 SPECIFICATIONS.
- CONCRETE = 4,500 PSI AT 28 DAYS.
- NO INVERT CHANNEL.
- CASTING BY ICAST (JBS 3101 F/G/H)

REINFORCING PER ASTM A615 (GRADE 60).

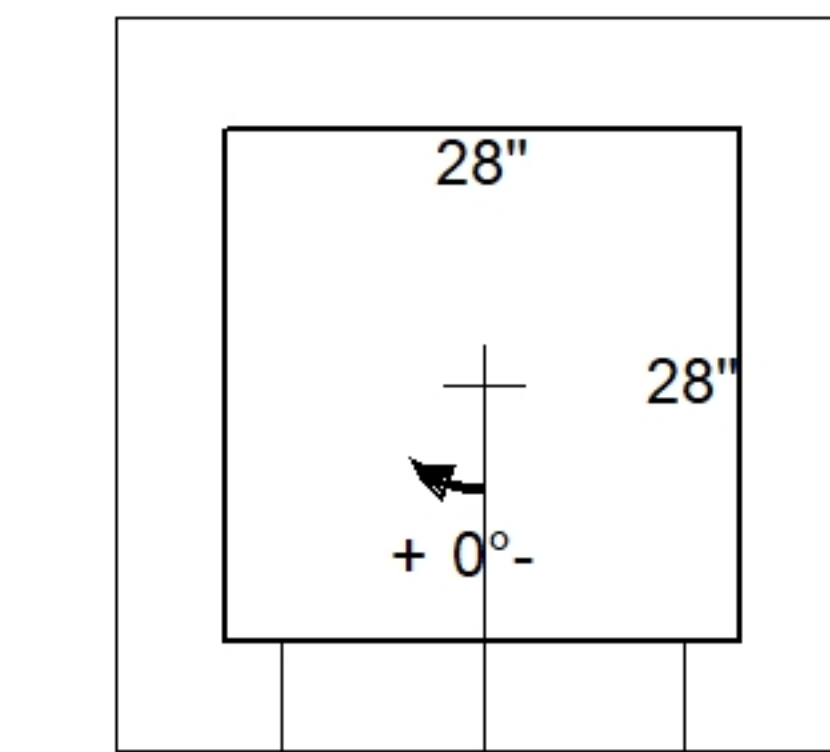
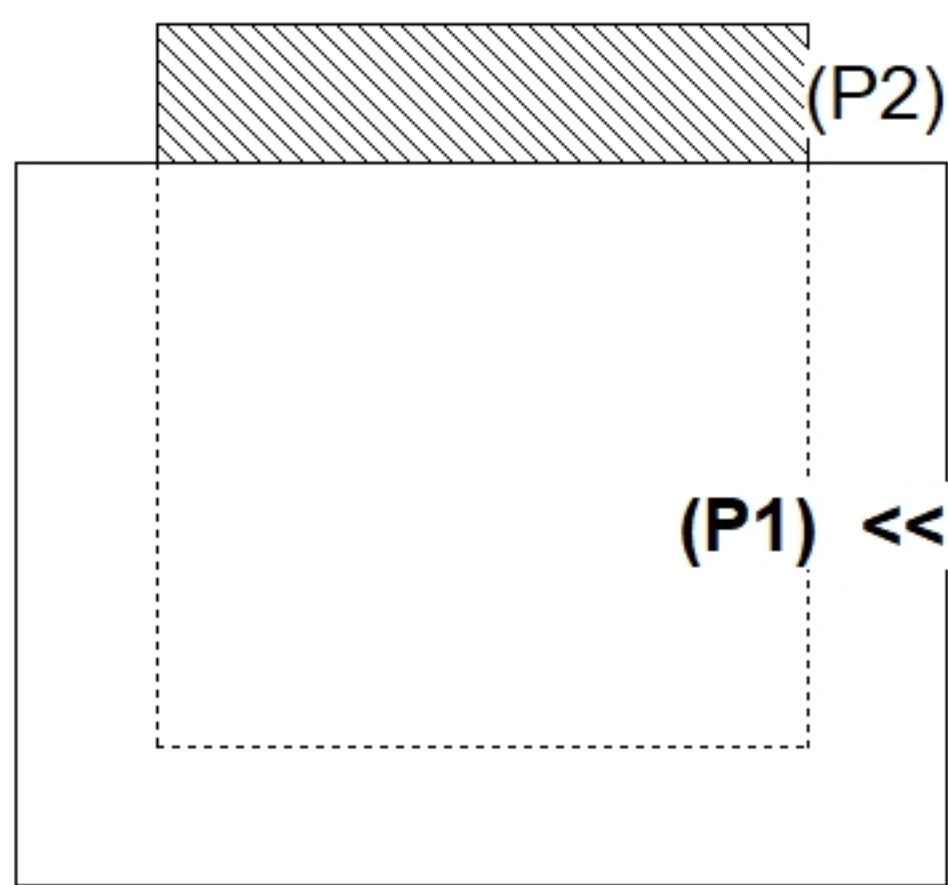
- WALLS (As .31) #5 BARS AT 12" C.C.E.W.
- FLOOR (As .31) #5 BARS AT 12" C.C.E.W.

Rim: 580.76' Rim to Invert: 2.41' Slack: 0.17" Sump: 2.25" Step Position:

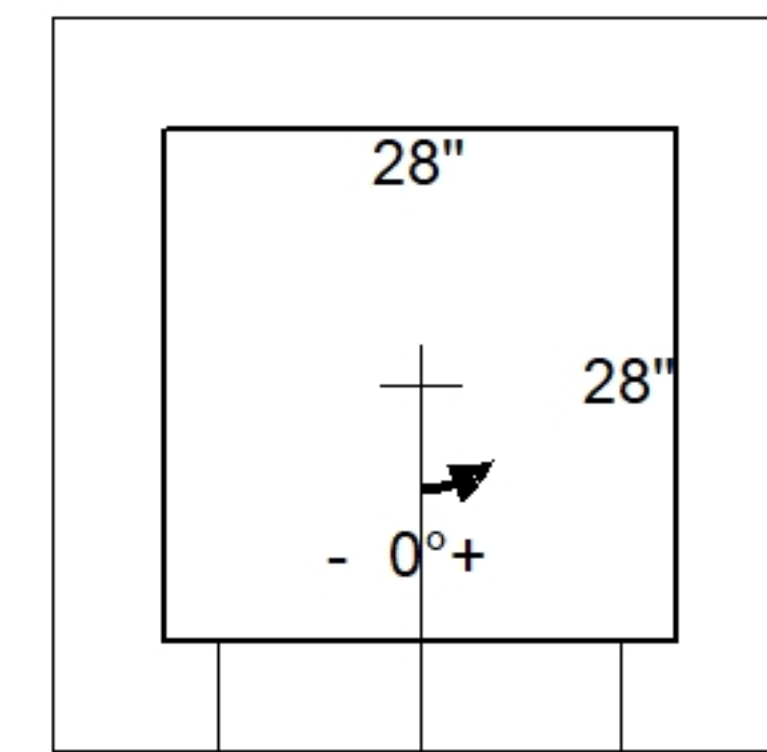
Position	Elev	Angle	Ext. (cw)	Pipe	Pipe OD	Connector	Hole	Horz Size	Up ()	Offset
Invert 1	578.35'	0°	20"	15" RCP B WALL	19.5"	Hole 22	22"	22"	0"	0"
Invert 2										
Invert 3										
Invert 4										
Invert 5										
Invert 6										
Invert 7										
Invert 8										

RIGHT-SIDE UP VIEW (int. dimensions)

UPSIDE-DOWN VIEW (int. dimensions)

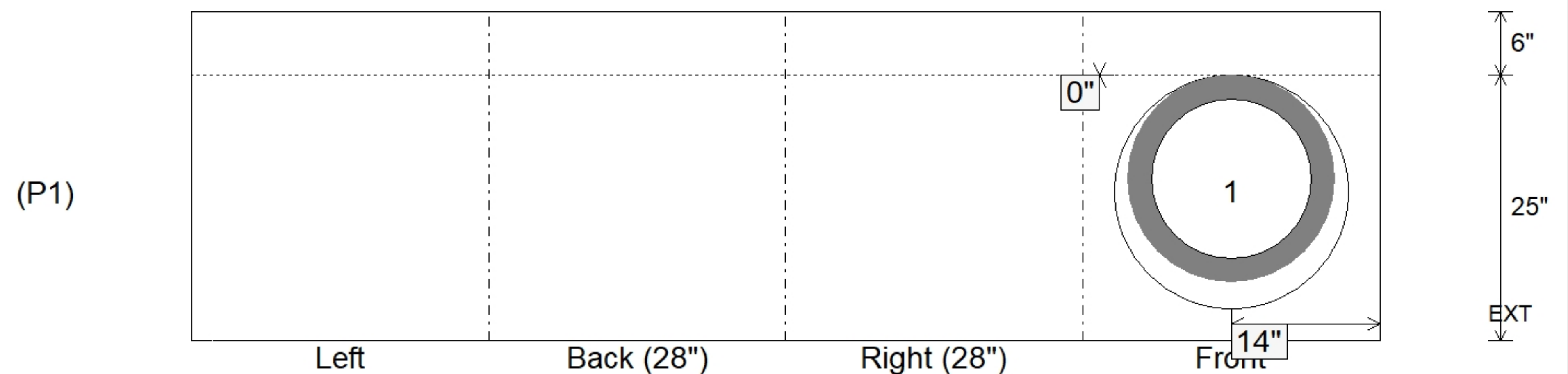


Invert: 1
Degree: 0°
Horz: 14"
Hole: 22"
Up(): 0"



Invert: 1
Degree: 0°
Horz: 14"
Hole: 22"
Up(): 0"

INSIDE WALL DIMENSIONS



Coating (Int):	Seam Up: Flat	Wall Thickness: 6"	Height (Int): 25"	Weight (Net): 2326 lb
Coating (Ext):	Seam Dn: n/a	Floor Height: 6"	Height (Ext): 31"	Volume (Net): 0.59cu.yd