

**Job Name: 24-3511 Coles Ferry Section 18 & 19**  
**Job Location: Lebanon, TN**  
**Contractor: Covenant Constructors, LLC**

PC: A. Chambers  
 TECH: J. Horsley  
 Plant: Beaver Dam, KY



Structure ID: **CB3**  
 Spec: Storm  
 Type: BX 6inW, 6inF  
 Size: 28" x 28"

Rim: 576.4'  
 Invert: 574'  
 Rim to Invert: 2.4'

Sump: 2.25"  
 Floor (Top): 573.813'  
 Floor Height: 6"

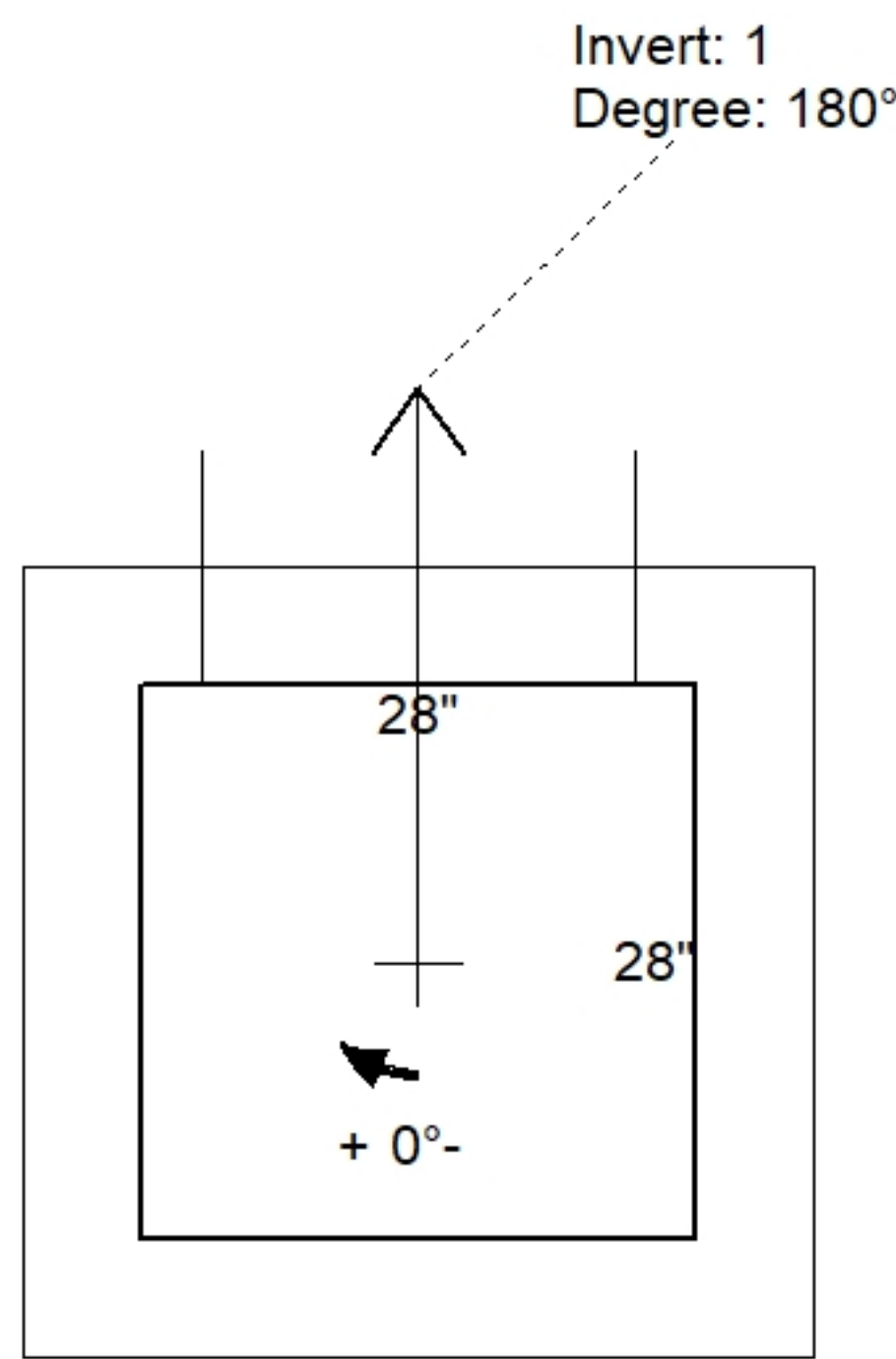
Floor (Bot): 573.313'  
 Overall Height: 3.083'  
 Slack: 0.05"

**Structure Notes:**

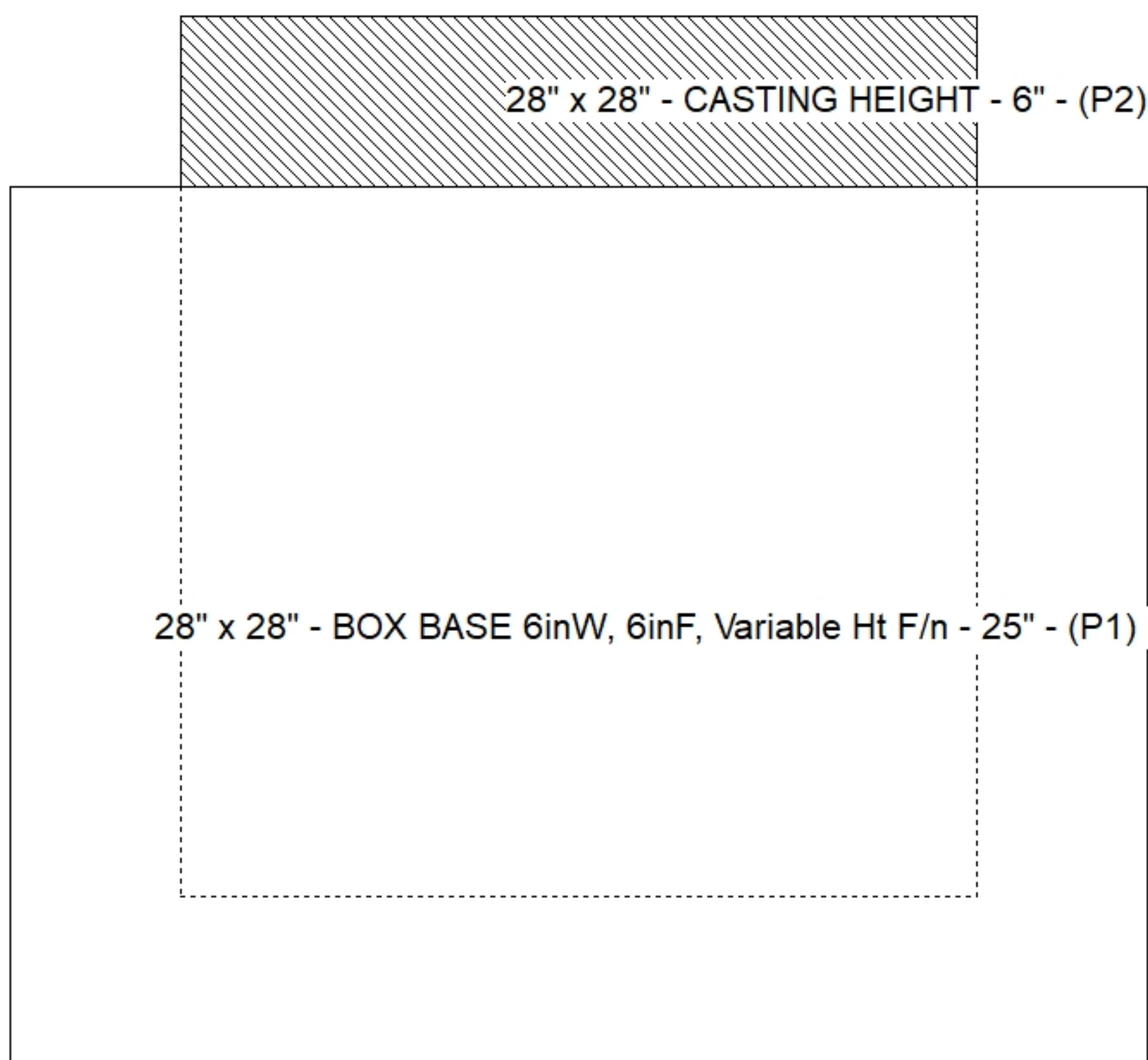
- PER ASTM C913 SPECIFICATIONS.
  - CONCRETE = 4,500 PSI AT 28 DAYS.
  - NO INVERT CHANNEL.
  - CASTING BY ICAST (JBS 3101 F/G/H)
- REINFORCING PER ASTM A615 (GRADE 60).  
 - WALLS (As .31) #5 BARS AT 12" C.C.E.W.  
 - FLOOR (As .31) #5 BARS AT 12" C.C.E.W.

**STRUCTURE SUMMARY:**

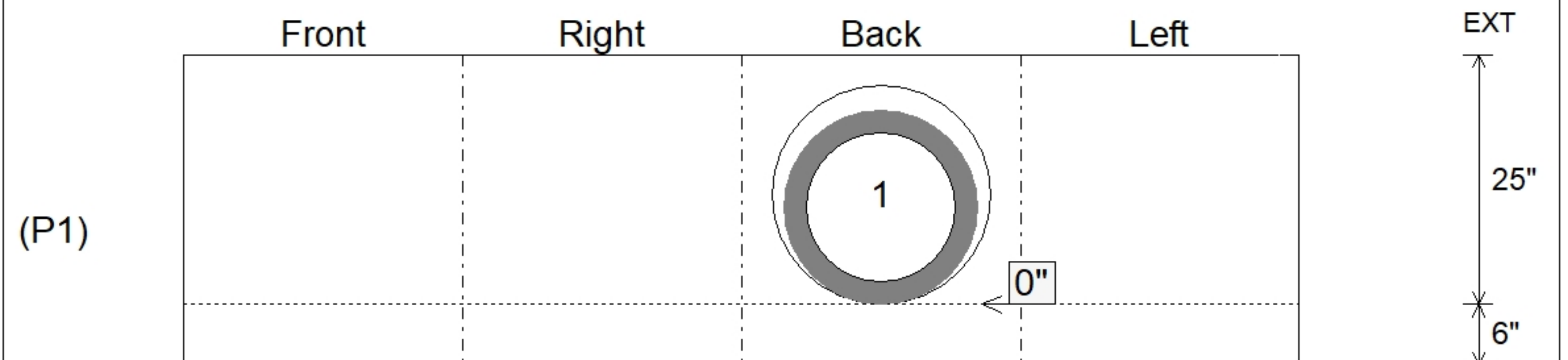
P2) 28" x 28" - CASTING HEIGHT - 6"	0 lb
P1) 28" x 28" - BOX BASE 6inW, 6inF, Variable Ht F/n - 25"	2326 lb
1) CASTING - JBS 3101 Single Set (F/G/H)	500 lb
1) 28" x 28" - Conseal CS-102 1.00"	0 lb
1) Hole - 22	0 lb
	-----
<b>Structure Total:</b>	<b>2826 lb</b>



Position	Elev	Angle	Pipe	Pipe OD	Hole	Connector	Up (")	Ref
Rim	576.4'							
Reducer								
Invert 1	574'	180°	15" RCP B WALL	19.5"	22"	Hole 22	0"	P1
Invert 2								
Invert 3								
Invert 4								
Invert 5								
Invert 6								
Invert 7								
Invert 8								



**Cast (Int. Dim.) - Interior Dimensions**



Submittal Drawing  
 2/23/2026 4:38:31 PM

SUBMITTAL  
 APPROVED BY: