

**Structure ID: CB12**

**P1 MH060BAVF**

**MH BASE Custom Ht F/n**

P3) 28" x 28" - CASTING HEIGHT - 6" P2) 60" - MH FLAT TOP w/(2) 28"x28" Holes F/F - 8" P1) 60" - MH BASE Custom Ht F/n - 69" 1) CASTING - JBS 3101 Double Set (F/G/H) 1) 60" - SGL 1"x14.5' Butyl (2x) 2) Hole - 40 1) Hole - 22 5) MH Step ML-10-TDS-NCR - 10"	0 lb 1817 lb 8665 lb 1238 lb 0 lb 0 lb 0 lb 0 lb	Structure Total: 11721 lb
--	---	---------------------------

**Structure Notes:**

1. PER ASTM C913 SPECIFICATIONS.
2. CONCRETE = 4,000 PSI AT 28 DAYS.
3. NO INVERT CHANNEL.
4. CASTING BY ICAST (2ea JBS-3101 F/G/H)

REINFORCING PER ASTM A615 (GRADE 60).

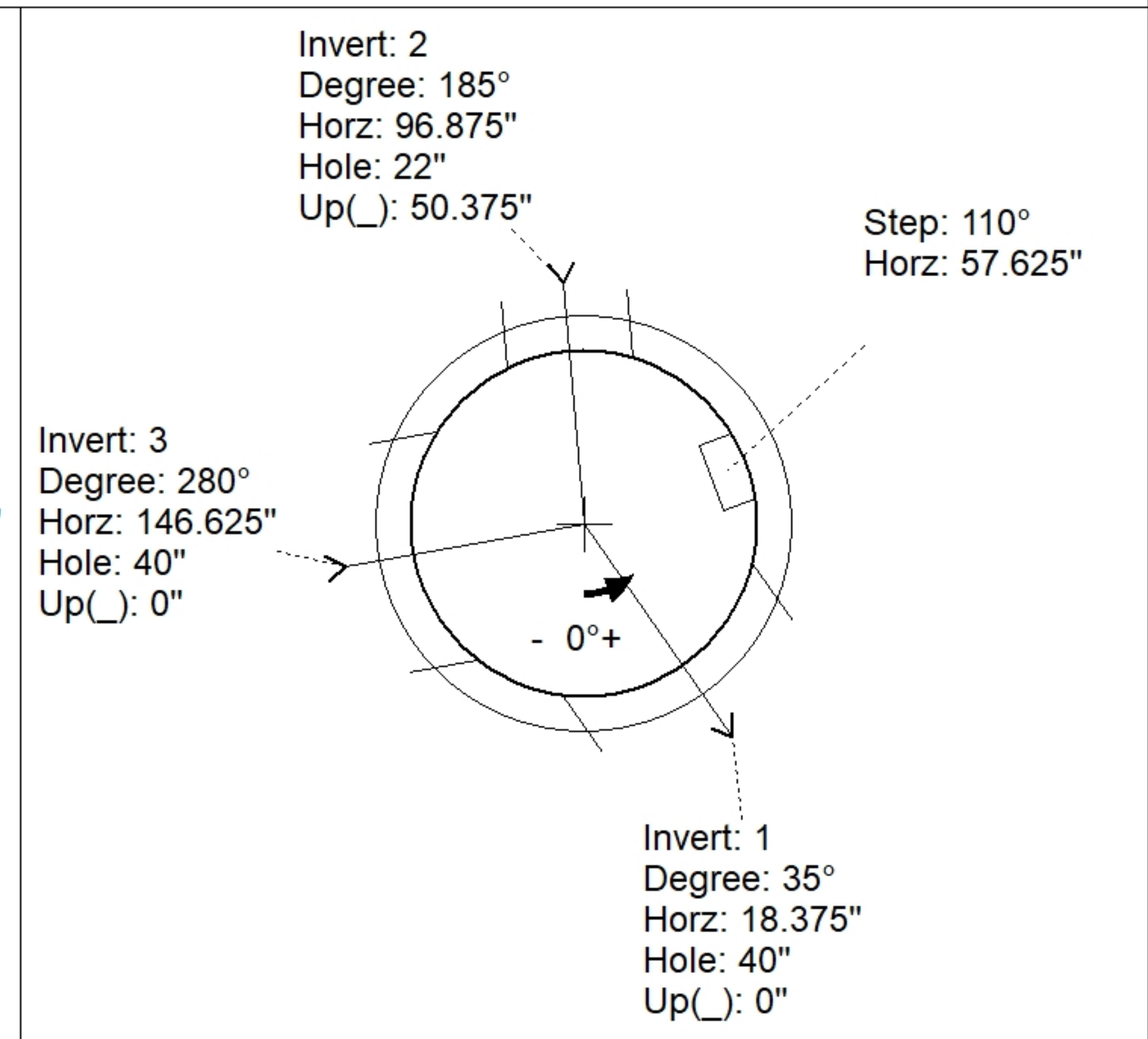
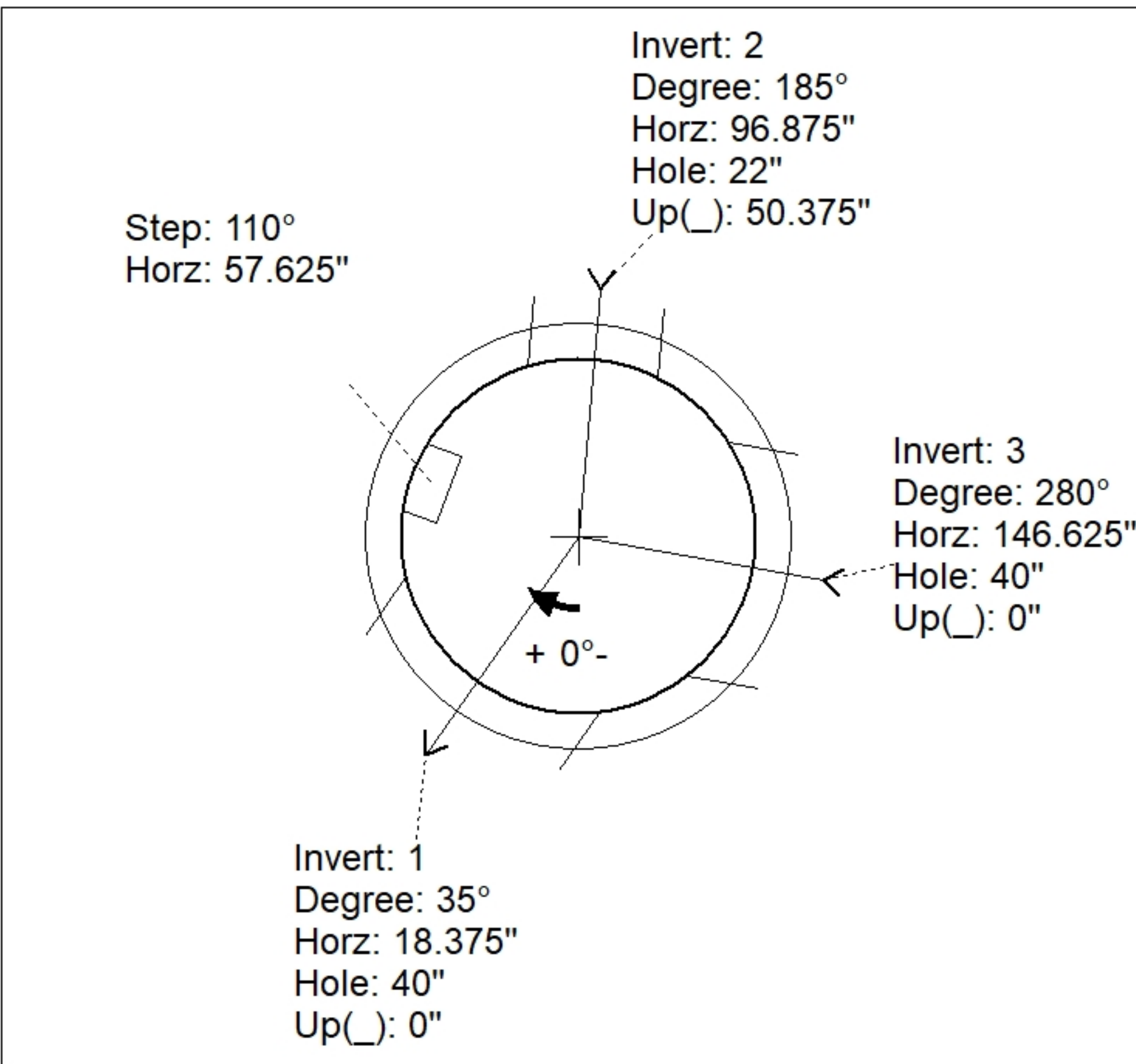
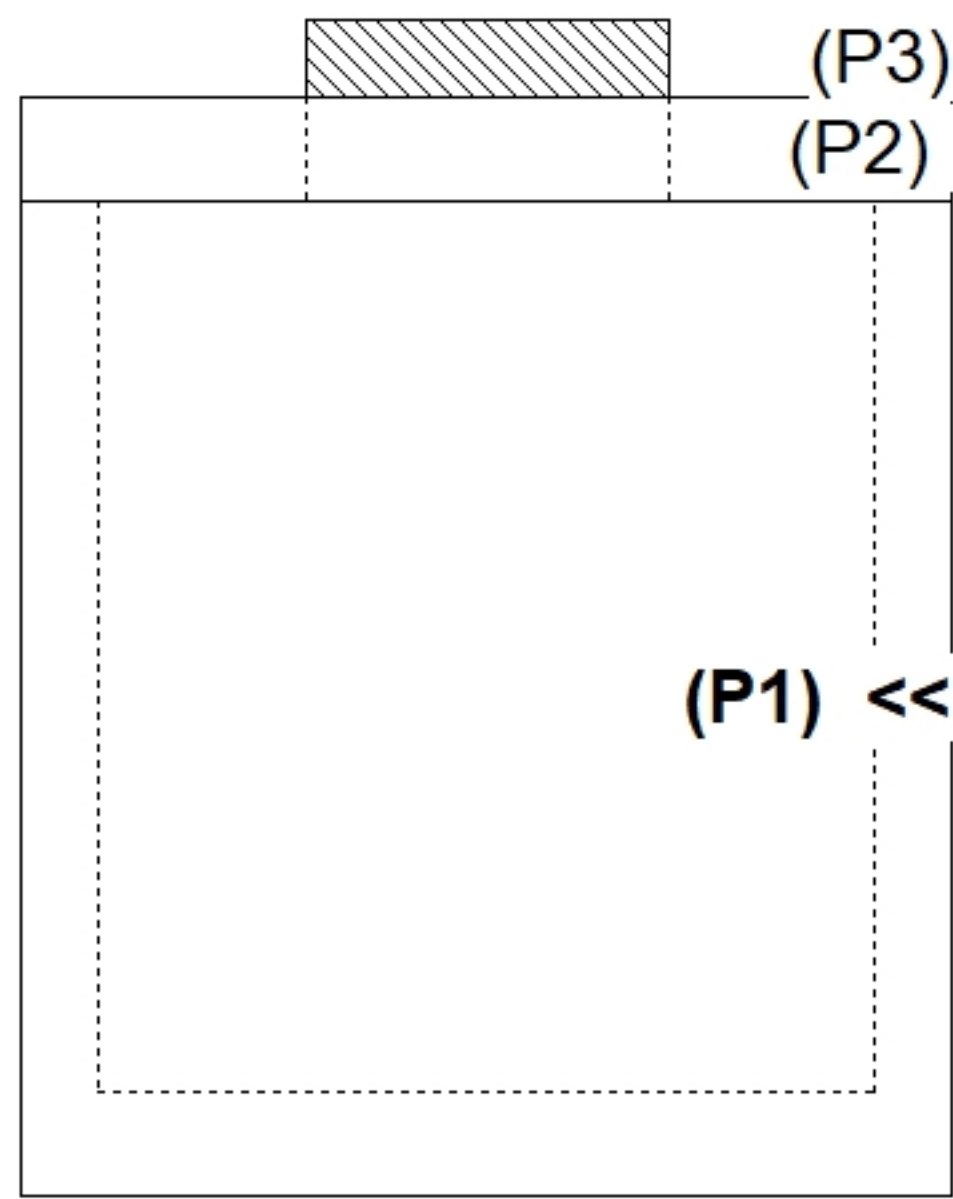
- TOP SLAB (As .62) #5 BARS AT 6" C.C.E.W.
- WALLS (As .31) #5 BARS AT 12" C.C.E.W.
- FLOOR (As .31) #5 BARS AT 12" C.C.E.W.

Rim: 570.34' Rim to Invert: 6.7' Slack: 0.904" Sump: 3.504" Step Position: 110°

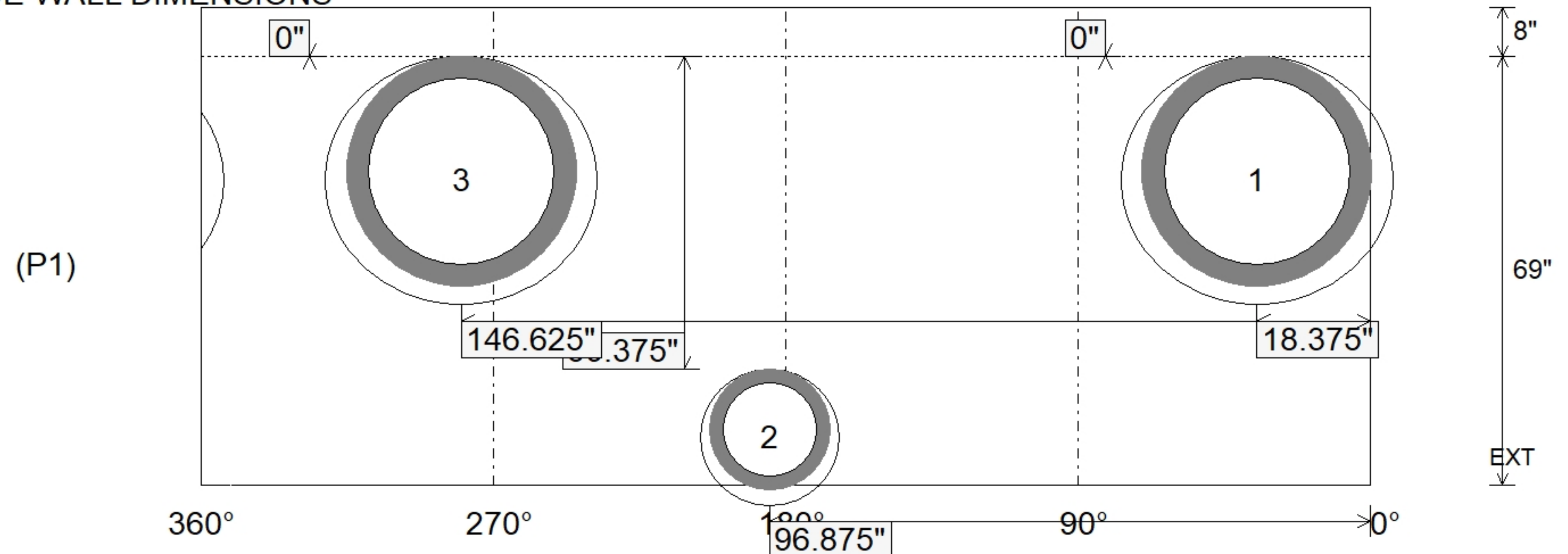
Position	Elev	Angle	Ext. (cw)	Pipe	Pipe OD	Connector	Hole	Horz Size	Up ( )	Offset
Invert 1	563.64'	35°	22"	30" RCP B WALL	37"	Hole 40	40"	43.784"	0"	0"
Invert 2	567.73'	185°	116.25"	15" RCP B WALL	19.5"	Hole 22	22"	22.525"	50.375"	0"
Invert 3	563.64'	280°	175.875"	30" RCP B WALL	37"	Hole 40	40"	43.784"	0"	0"
Invert 4										
Invert 5										
Invert 6										
Invert 7										
Invert 8										

RIGHT-SIDE UP VIEW (int. dimensions)

UPSIDE-DOWN VIEW (int. dimensions)



INSIDE WALL DIMENSIONS



Coating (Int): Coating (Ext):	Seam Up: Flat Seam Dn: n/a	Wall Thickness: 6" Floor Height: 8"	Height (Int): 69" Height (Ext): 77"	Weight (Net): 8665 lb Volume (Net): 2.21cu.yd
----------------------------------	-------------------------------	--	--	--