

Structure ID: CB10

P1 MH060BAVF

MH BASE Custom Ht F/n

- | | |
|--|---|
| P3) 28" x 28" - CASTING HEIGHT - 6"
P2) 60" - MH FLAT TOP w/(2) 28"x28" Holes F/F - 8"
P1) 60" - MH BASE Custom Ht F/n - 45"
1) CASTING - JBS 3101 Double Set (F/G/H)
1) 60" - SGL 1"x14.5' Butyl (2x)
1) Hole - 40
1) Hole - 22
1) Hole - 32
3) MH Step ML-10-TDS-NCR - 10" | 0 lb
1822 lb
6502 lb
1238 lb
0 lb
0 lb
0 lb
0 lb
0 lb
0 lb
0 lb
Structure Total: 9562 lb |
|--|---|

Structure Notes:

1. PER ASTM C913 SPECIFICATIONS.
2. CONCRETE = 4,000 PSI AT 28 DAYS.
3. NO INVERT CHANNEL.
4. CASTING BY ICAST (2ea. JBS 3101 F/G/H).

REINFORCING PER ASTM A615 (GRADE 60).

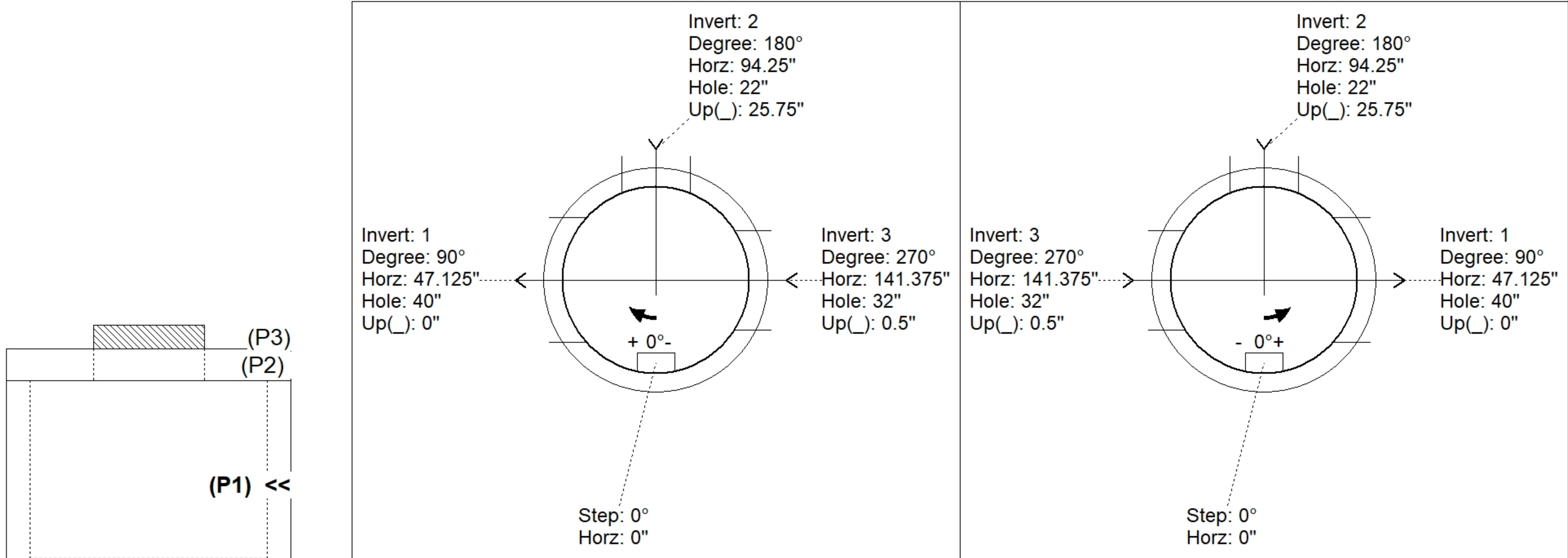
- TOP SLAB (As .62) #5 BARS AT 6" C.C.E.W.
- WALLS (As .18)
- FLOOR (As .31) #5 BARS AT 12" C.C.E.W.

Rim: 571.83' Rim to Invert: 4.69' Slack: 0.784" Sump: 3.504" Step Position: 0°

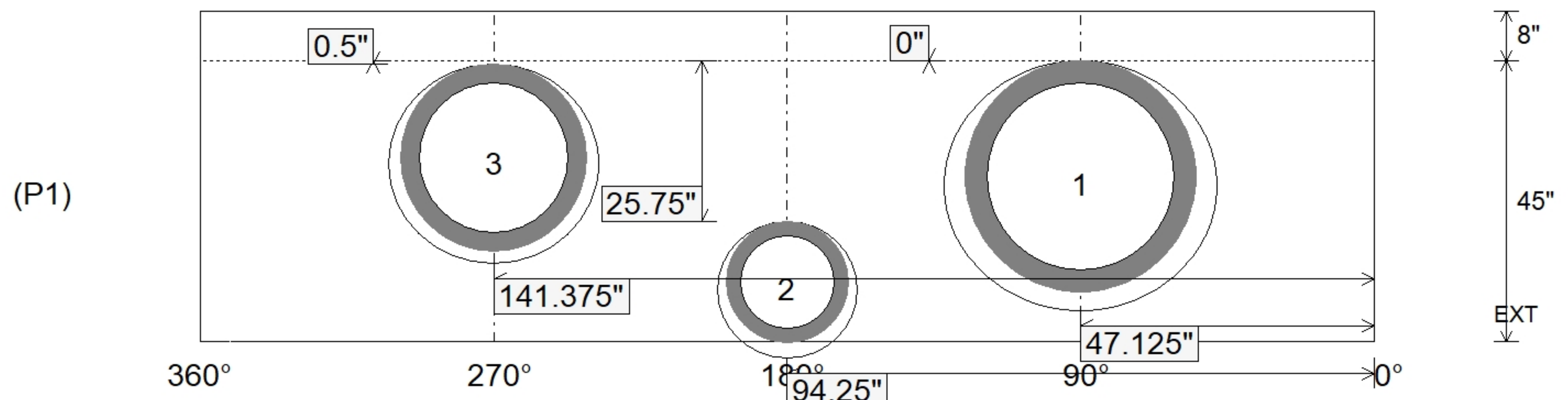
Position	Elev	Angle	Ext. (cw)	Pipe	Pipe OD	Connector	Hole	Horz Size	Up ()	Offset
Invert 1	567.14'	90°	56.5"	30" RCP B WALL	37"	Hole 40	40"	43.784"	0"	0"
Invert 2	569.18'	180°	113.125"	15" RCP B WALL	19.5"	Hole 22	22"	22.525"	25.75"	0"
Invert 3	567.14'	270°	169.625"	24" RCP B WALL	30"	Hole 32	32"	33.752"	0.5"	0"
Invert 4										
Invert 5										
Invert 6										
Invert 7										
Invert 8										

RIGHT-SIDE UP VIEW (int. dimensions)

UPSIDE-DOWN VIEW (int. dimensions)



INSIDE WALL DIMENSIONS



Coating (Int):	Seam Up: Flat Seam Dn: n/a	Wall Thickness: 6" Floor Height: 8"	Height (Int): 45" Height (Ext): 53"
Coating (Ext):			Weight (Net): 6502 lb Volume (Net): 1.66cu.yd