

Structure ID: CB1

P1 BX2828-06BA24

BOX BASE 6inW, 6inF F/n

- P2) 28" x 28" - CASTING HEIGHT - 6"
- P1) 28" x 28" - BOX BASE 6inW, 6inF F/n - 24"
- 1) CASTING - JBS 3101 Single Set (F/G/H)
- 1) 28" x 28" - Conseal CS-102 1.00"
- 1) Hole - 22

	0 lb
	2258 lb
	500 lb
	0 lb
	0 lb
Structure Total:	2758 lb

Structure Notes:

1. PER ASTM C913 SPECIFICATIONS.
2. CONCRETE = 4,500 PSI AT 28 DAYS.
3. NO INVERT CHANNEL.
4. CASTING BY ICAST (JBS 3101 F/G/H)

REINFORCING PER ASTM A615 (GRADE 60).

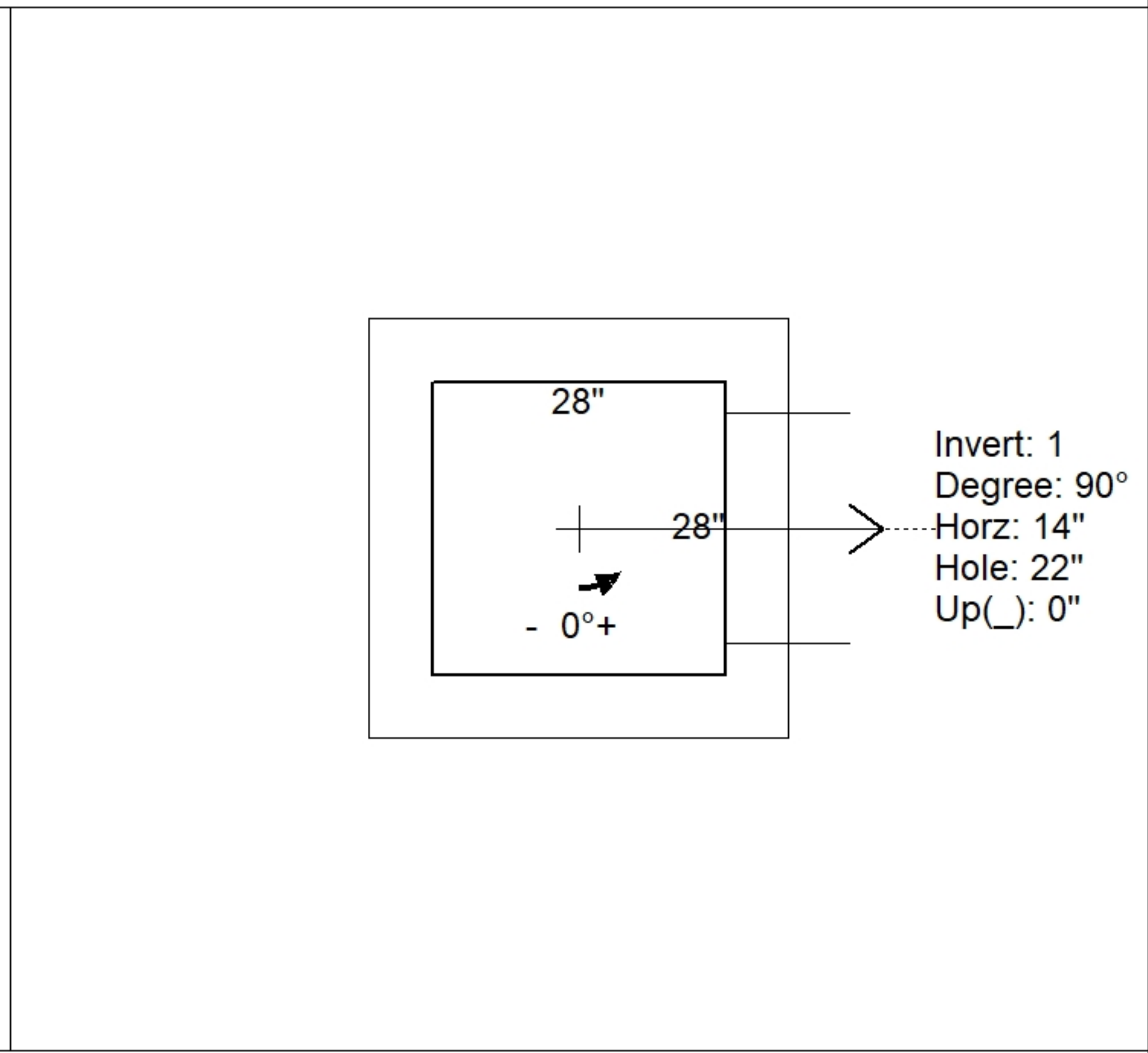
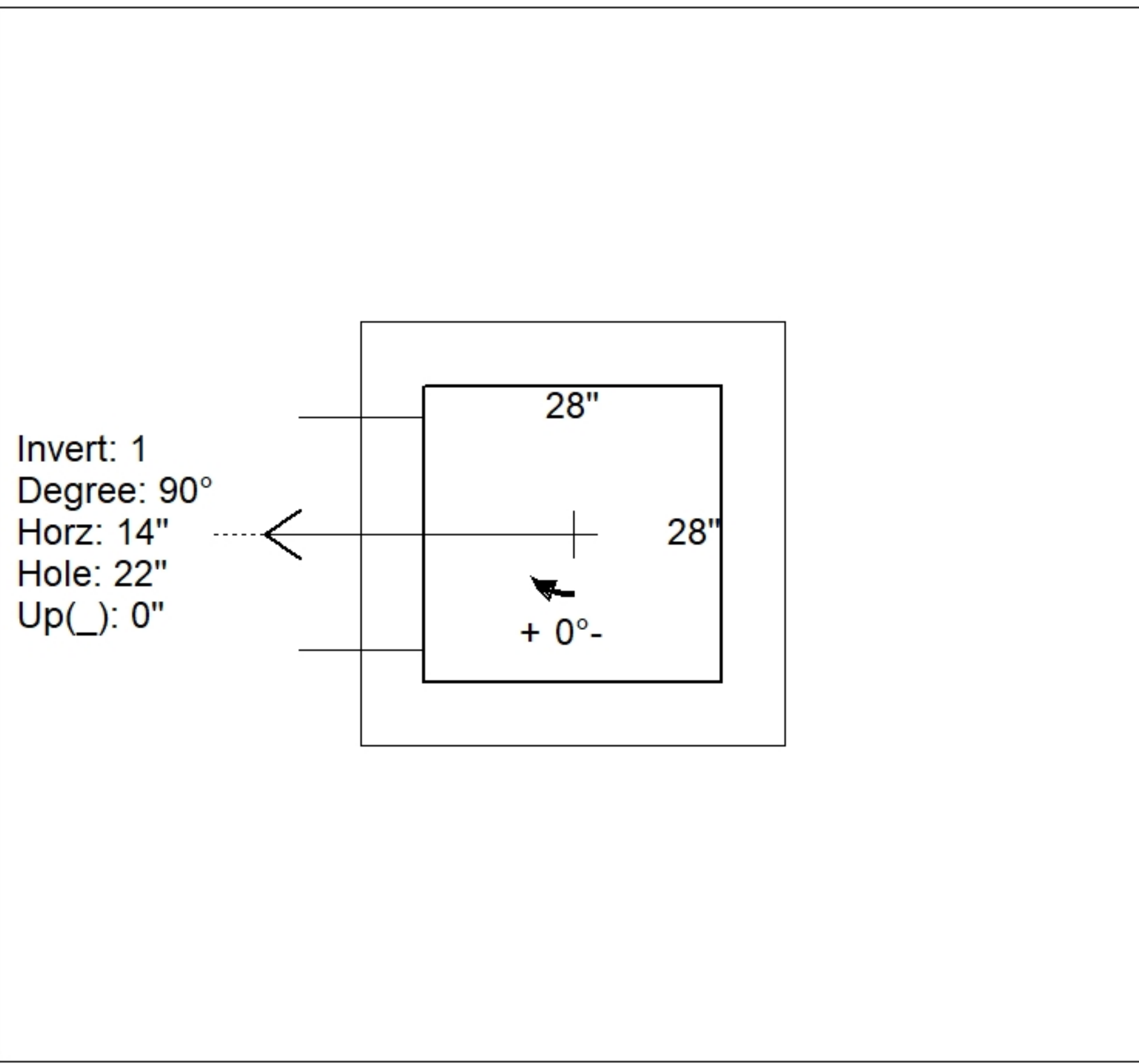
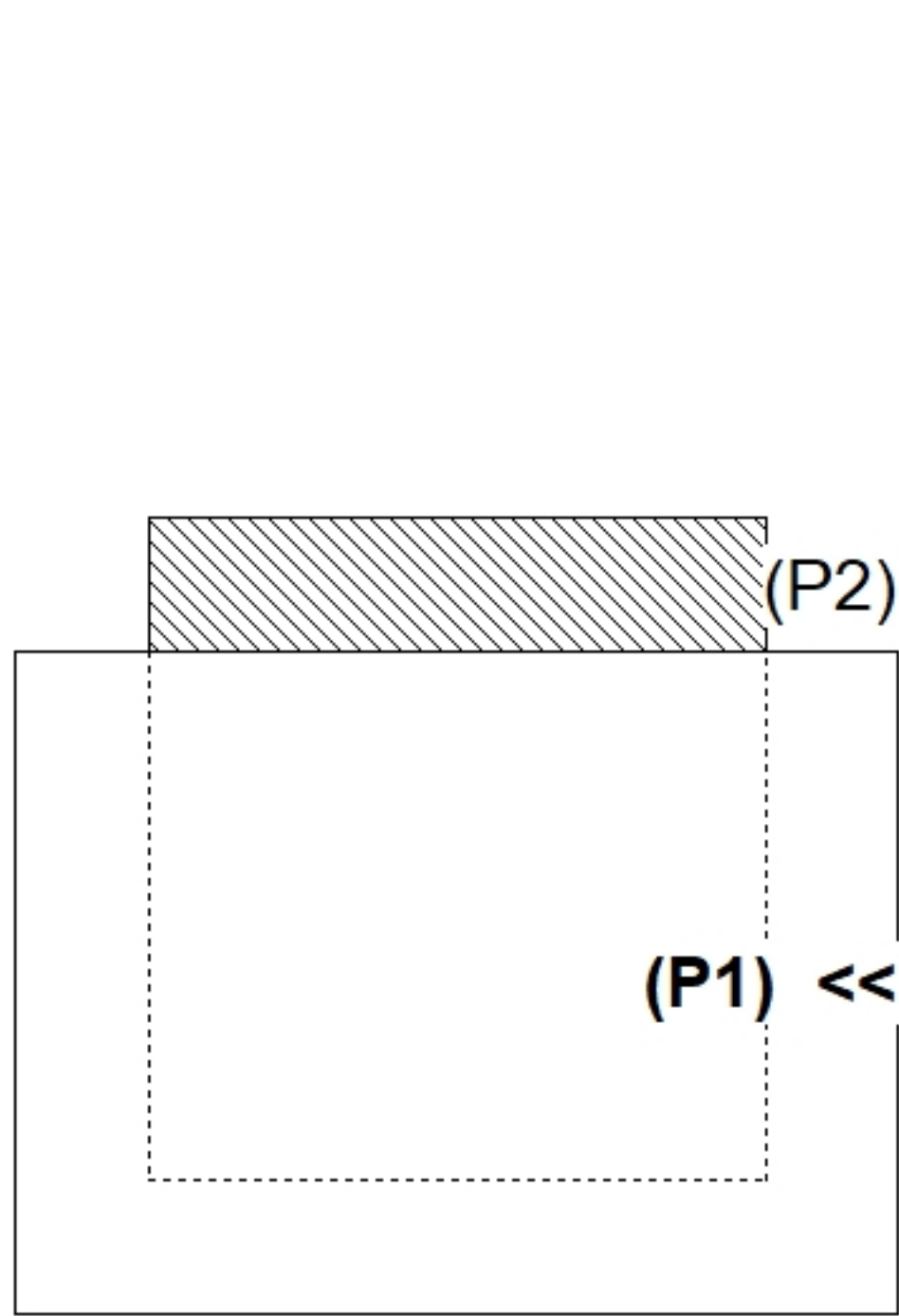
- WALLS (As .31) #5 BARS AT 12" C.C.E.W.
- FLOOR (As .31) #5 BARS AT 12" C.C.E.W.

Rim: 575.2' Rim to Invert: 2.34' Slack: 0.33" Sump: 2.25" Step Position:

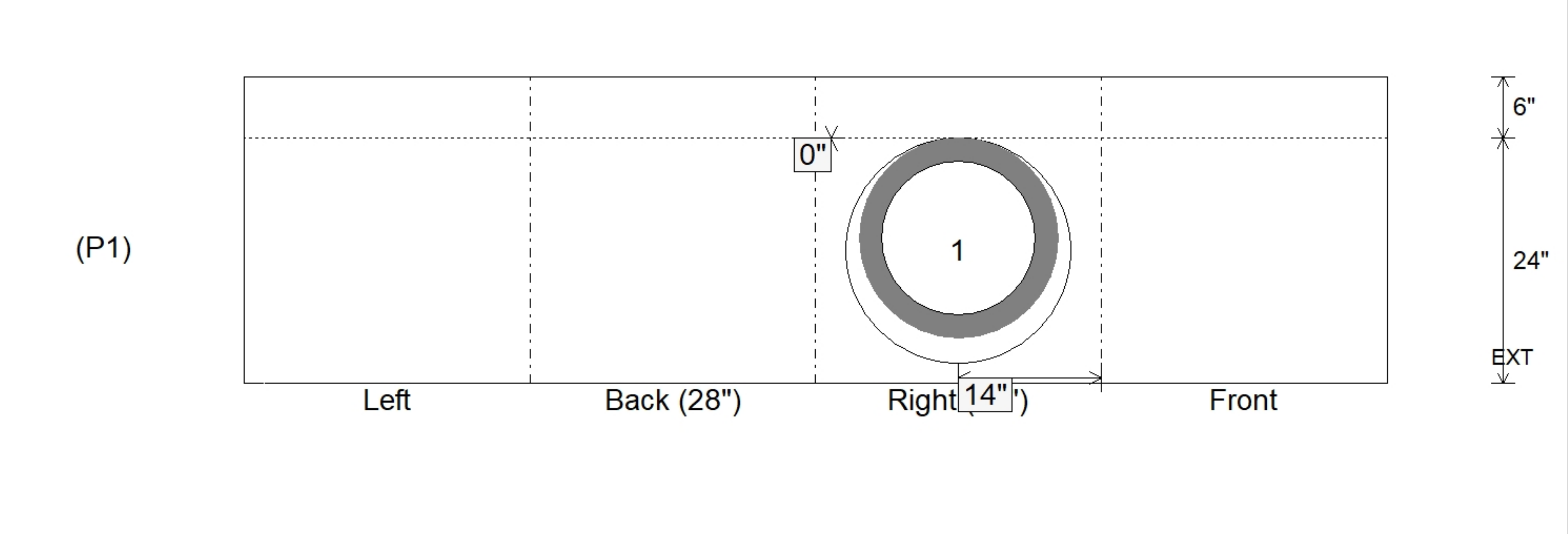
Position	Elev	Angle	Ext. (cw)	Pipe	Pipe OD	Connector	Hole	Horz Size	Up ()	Offset
Invert 1	572.86'	90°	20"	15" RCP B WALL	19.5"	Hole 22	22"	22"	0"	0"
Invert 2										
Invert 3										
Invert 4										
Invert 5										
Invert 6										
Invert 7										
Invert 8										

RIGHT-SIDE UP VIEW (int. dimensions)

UPSIDE-DOWN VIEW (int. dimensions)



INSIDE WALL DIMENSIONS



Coating (Int):	Seam Up: Flat	Wall Thickness: 6"	Height (Int): 24"
Coating (Ext):	Seam Dn: n/a	Floor Height: 6"	Height (Ext): 30"
		Weight (Net): 2258 lb Volume (Net): 0.58cu.yd	