

Job Name: 24-3462 Coles Ferry Section 20
Job Location: Lebanon, TN
Contractor: Covenant Constructors, LLC

PC: A. Chambers
 TECH: J. Horsley
 Plant: Beaver Dam, KY



Structure ID: **SAMH C3**

Spec: Sanitary
 Type: SAN.MH w/Xypex
 Size: 48"

Rim: 547.85'
 Invert: 540.4'
 Rim to Invert: 7.45'

Sump: 2"
 Floor (Top): 540.233'
 Floor Height: 6"

Floor (Bot): 539.733'
 Overall Height: 8.083'
 Slack: 0.4"

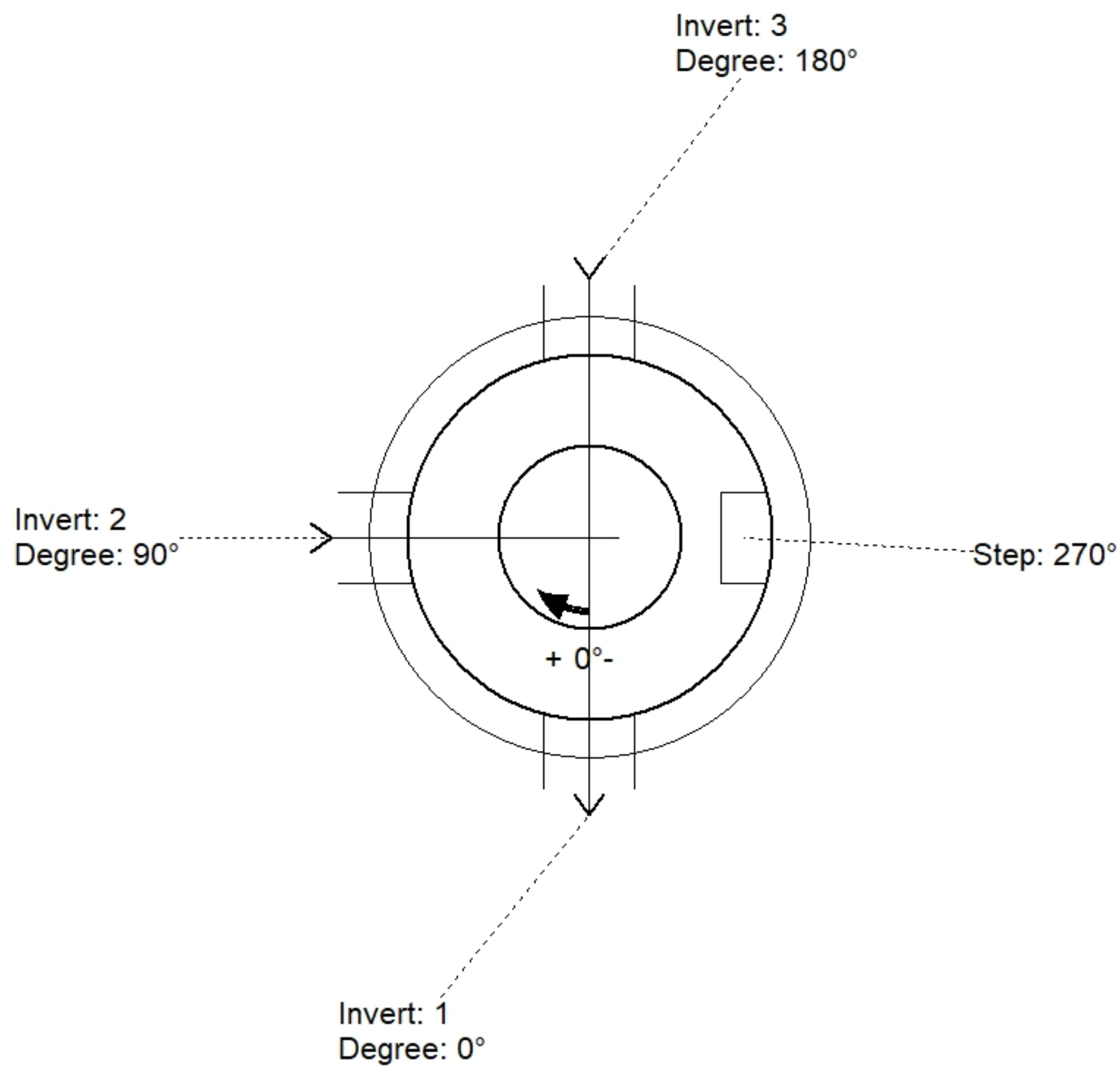
Structure Notes:

- PER ASTM C478 SPECIFICATIONS.
- CONCRETE = 4,000 PSI AT 28 DAYS.
- ADMIXTURE = XYPEX C-1000 RED (AT 3.5% BY WEIGHT OF CONCRETE)
- CASTING BY ICAST (JBS 1155 F/C) SHIPPED LOOSE.

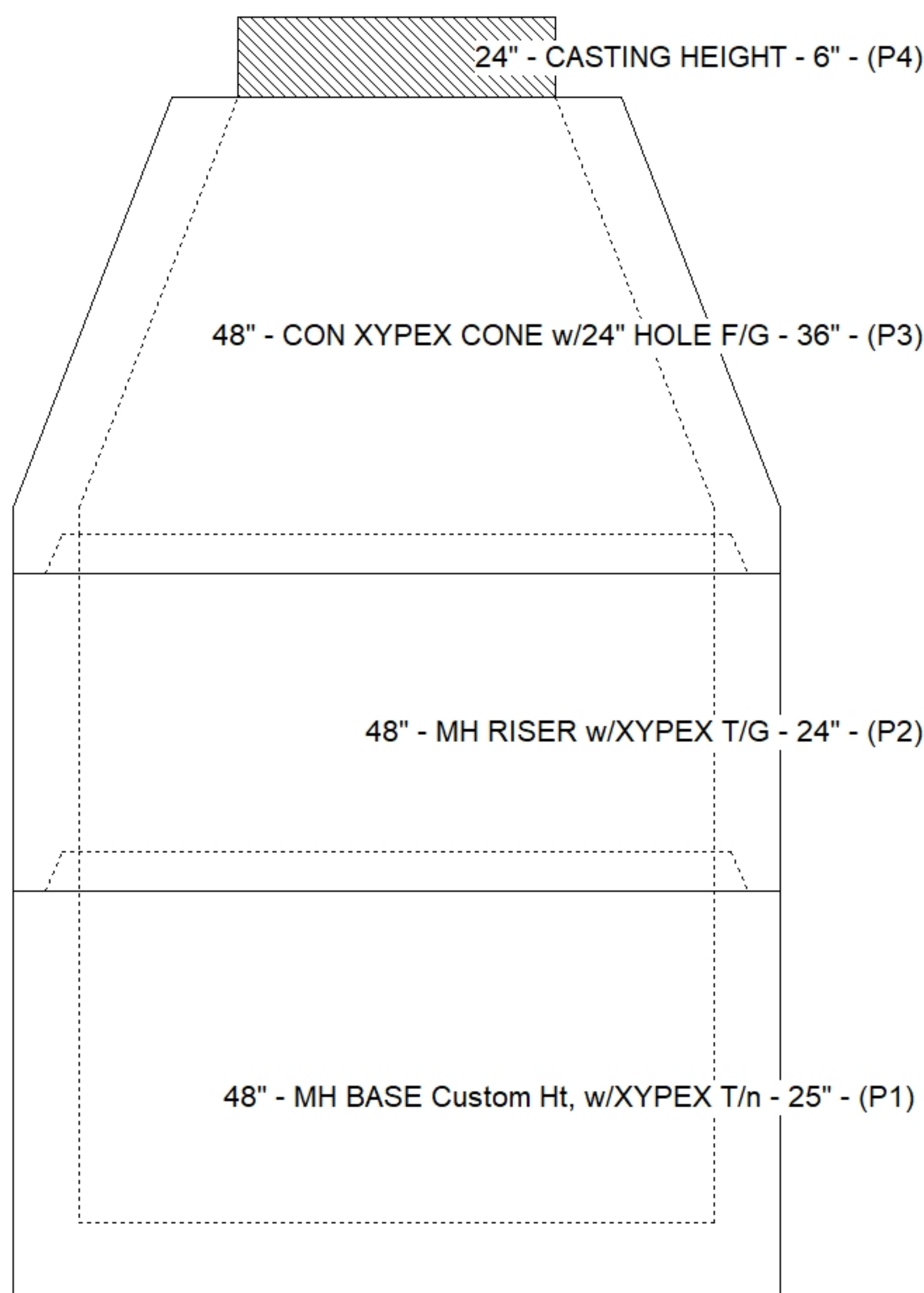
REINFORCING PER ASTM A615 (GRADE 60).
 - CONE (As .12)
 - RISER (As .12)
 - FLOOR (As .31) #5 BARS AT 12" C.C.E.W.

STRUCTURE SUMMARY:

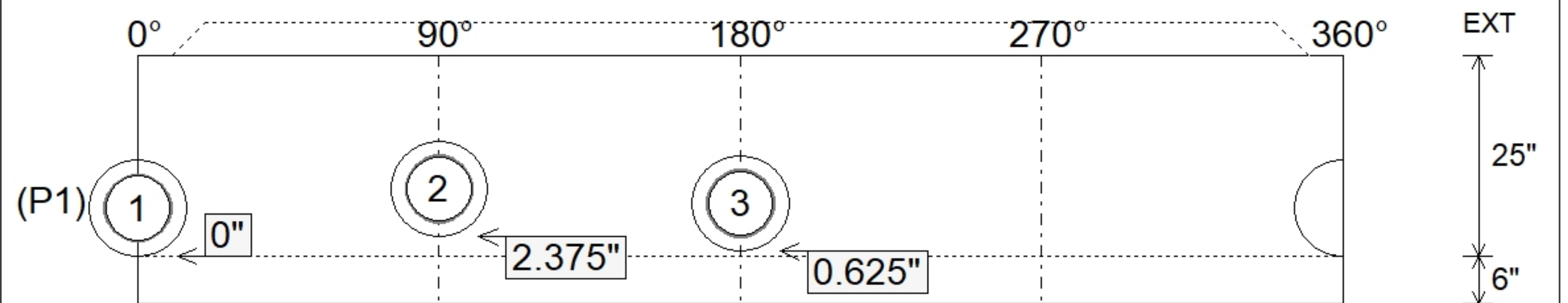
| | |
|--|----------------|
| P4) 24" - CASTING HEIGHT - 6" | 0 lb |
| P3) 48" - CON XYPEX CONE w/24" HOLE F/G - 36" | 2251 lb |
| P2) 48" - MH RISER w/XYPEX T/G - 24" | 1677 lb |
| P1) 48" - MH BASE Custom Ht, w/XYPEX T/n - 25" | 2933 lb |
| 1) JOINT WRAP - 0.065"x6"x50' CONSEAL CS212 | 0 lb |
| 1) JOINT WRAP PRIMER - CONSEAL CS-75 (1 gal.) | 0 lb |
| 1) 48" - MH INVERT CHANNEL w/XYPEX - FULL HEIGHT | 1440 lb |
| 1) ADMIXTURE XYPEX C-1000 RED | 0 lb |
| 1) CASTING - JBS 1155 F/C SANITARY | 250 lb |
| 2) 48" - DBL 1"x14.5' Butyl (2x) | 0 lb |
| 1) Kor-N-Seal1 - S406-12AW | 6 lb |
| 2) Kor-N-Seal1 - S106-12AW | 13 lb |
| 7) MH Step ML-10-TDS-NCR - 10" | 0 lb |
| Structure Total: | 8570 lb |



| Position | Elev | Angle | Pipe | Pipe OD | Hole | Connector | Up (") | Ref |
|----------|---------|-------|--------------|---------|------|-----------------------|--------|-----|
| Rim | 547.85' | | | | | | | |
| Reducer | | | | | | | | |
| Invert 1 | 540.4' | 0° | 8" PVC SDR26 | 8.5" | 12" | Kor-N-Seal1 S406-12AW | 0" | P1 |
| Invert 2 | 540.6' | 90° | 8" PVC SDR26 | 8.5" | 12" | Kor-N-Seal1 S106-12AW | 2.375" | P1 |
| Invert 3 | 540.45' | 180° | 8" PVC SDR26 | 8.5" | 12" | Kor-N-Seal1 S106-12AW | 0.625" | P1 |
| Invert 4 | | | | | | | | |
| Invert 5 | | | | | | | | |
| Invert 6 | | | | | | | | |
| Invert 7 | | | | | | | | |
| Invert 8 | | | | | | | | |



Cast (Int. Dim.) - Interior Dimensions



Submittal Drawing
 2/23/2026 3:37:19 PM

SUBMITTAL
 APPROVED BY: