

Job Name: 24-3462 Coles Ferry Section 20
 Job Location: Lebanon, TN
 Contractor: Covenant Constructors, LLC

Plant: Beaver Dam, KY
 2/23/2026 3:38:51 PM

Tech: J. Horsley
 PC: A. Chambers



Structure ID: SAMH B1

P2 MH048CCN24X

CON XYPEX CONE w/24" HOLE F/G

- P3) 24" - CASTING HEIGHT - 6"
- P2) 48" - CON XYPEX CONE w/24" HOLE F/G - 24"
- P1) 48" - MH BASE w/XYPEX T/n - 36"
- 1) 48" - MH INVERT CHANNEL w/XYPEX - FULL HEIGHT
- 1) JOINT WRAP - 0.065"x6"x50' CONSEAL CS212
- 1) JOINT WRAP PRIMER - CONSEAL CS-75 (1 gal.)
- 1) ADMIXTURE XYPEX C-1000 RED
- 1) CASTING - JBS 1155 F/C SANITARY
- 1) 48" - DBL 1"x14.5' Butyl (2x)
- 1) Kor-N-Seal1 - S106-12AW
- 5) MH Step ML-10-TDS-NCR - 10"

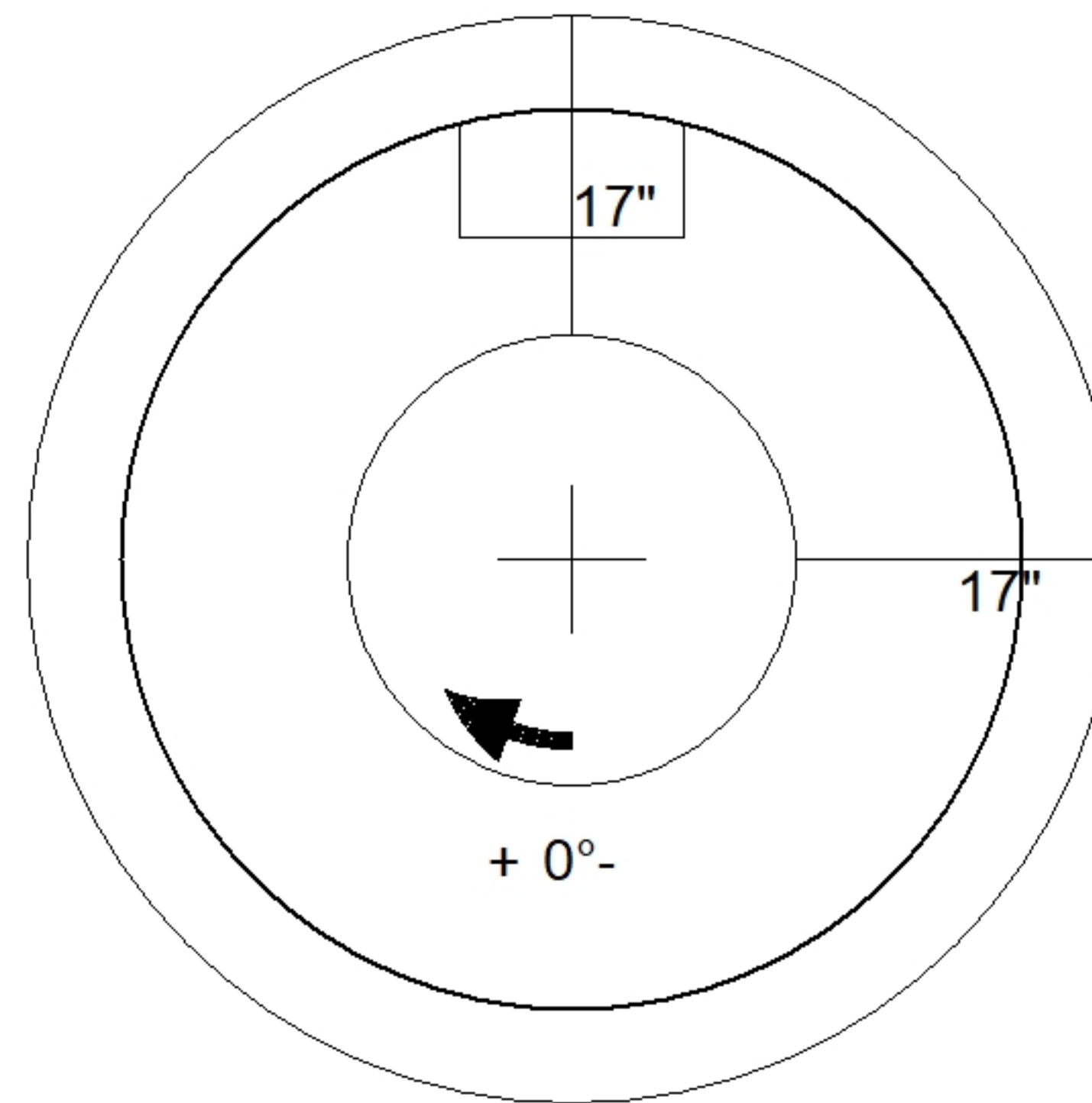
0 lb
 2251 lb
 3797 lb
 1440 lb
 0 lb
 0 lb
 0 lb
 250 lb
 0 lb
 6 lb
 0 lb

 7745 lb

Structure Total:

Structure Notes:
 1. PER ASTM C478 SPECIFICATIONS.
 2. CONCRETE = 4,000 PSI AT 28 DAYS.
 3. ADMIXTURE = XYPEX C-1000 RED
 (AT 3.5% BY WEIGHT OF CONCRETE)
 4. CASTING BY ICAST (JBS 1155 F/C) SHIPPED
 LOOSE.

 REINFORCING PER ASTM A615 (GRADE 60).
 - CONE (As .12)
 - RISER (As .12)
 - FLOOR (As .31) #5 BARS AT 12" C.C.E.W.



48" - CON XYPEX CONE w/24" HOLE F/G - 24" - (P2)

Coating (Int): Coating (Ext):	Seam Up: Flat Seam Dn: Groove	Wall Thickness: 5"	Height (Ext): 24"	Weight (Net): 2251 lb Volume (Net): 0.57cu.yd
----------------------------------	----------------------------------	--------------------	-------------------	--