

|   |   |                                     |  |
|---|---|-------------------------------------|--|
| Job Name: 24-3462 Coles Ferry Section 20<br>Job Location: Lebanon, TN<br>Contractor: Covenant Constructors, LLC | Plant: Beaver Dam, KY<br>2/23/2026 3:38:48 PM | Tech: J. Horsley<br>PC: A. Chambers |  |
|---|---|-------------------------------------|--|

**Structure ID: SAMH A1**

**P3 MH048CCN36X**

**CON XYPEX CONE w/24" HOLE F/G**

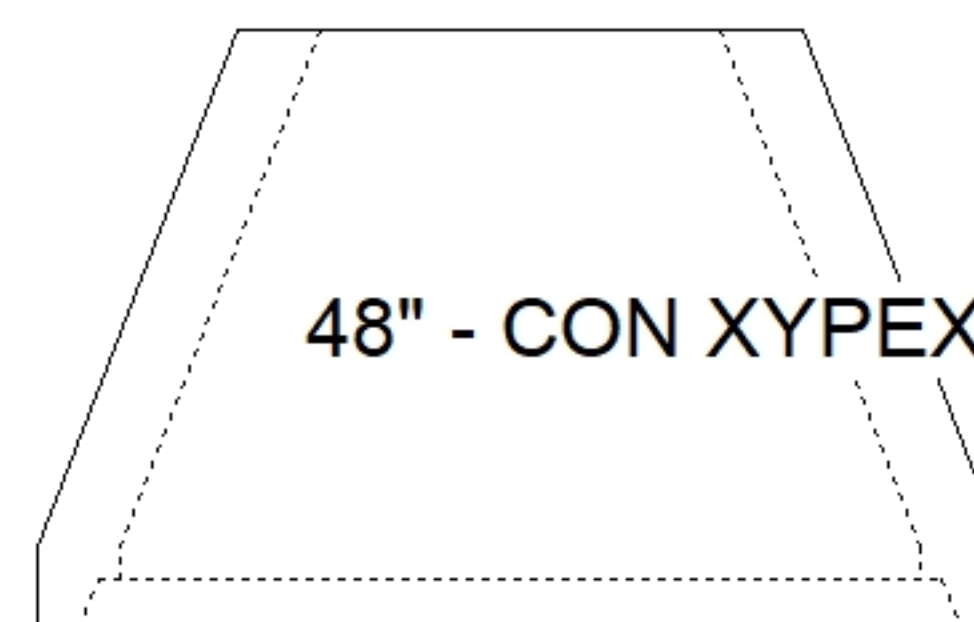
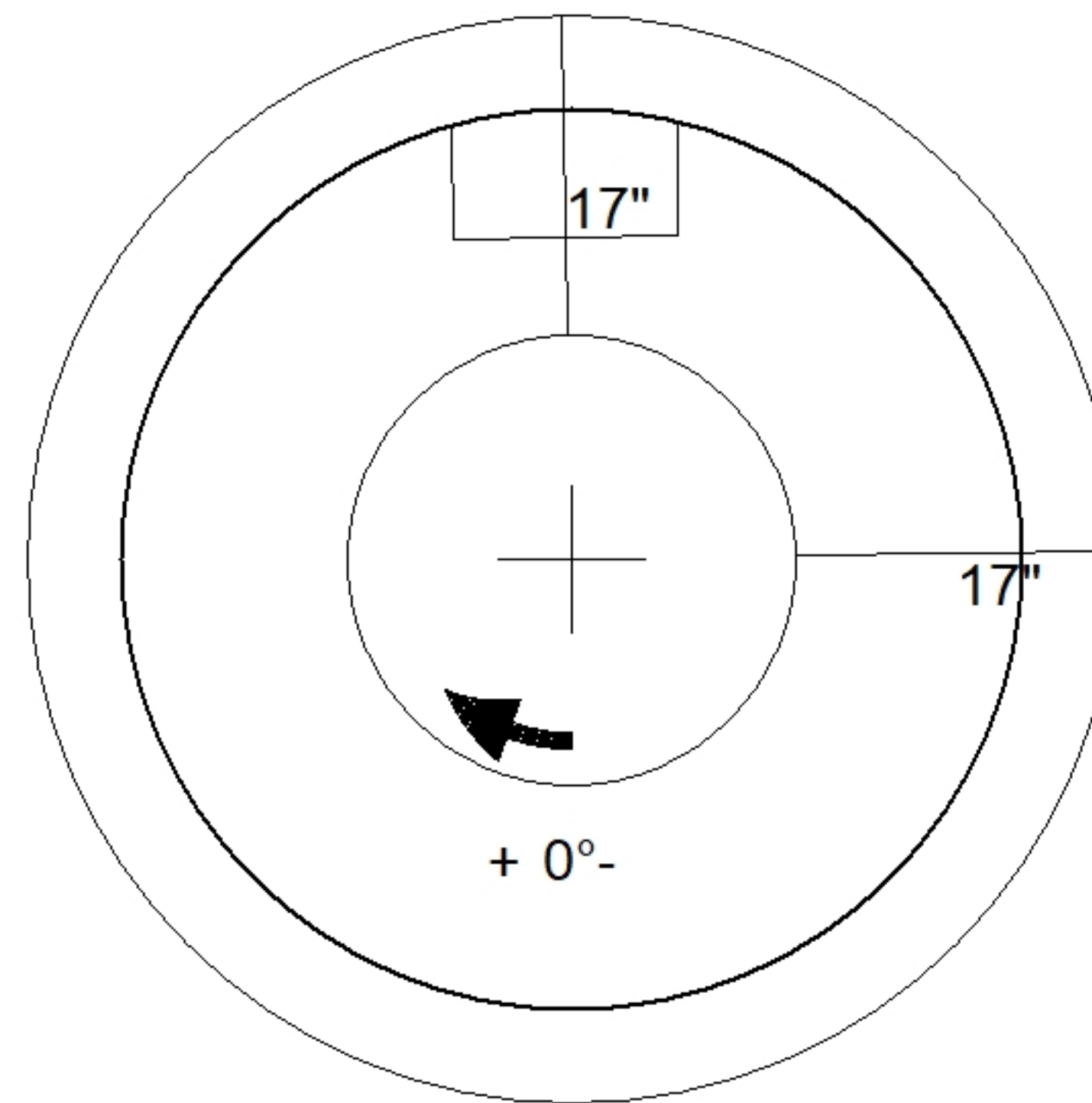
|  |                 |
|--|-----------------|
| P4) 24" - CASTING HEIGHT - 6"                    | 0 lb            |
| P3) 48" - CON XYPEX CONE w/24" HOLE F/G - 36"    | 2251 lb         |
| P2) 48" - MH RISER w/XYPEX T/G - 48"             | 3353 lb         |
| P1) 48" - MH BASE w/XYPEX T/n - 30"              | 3282 lb         |
| 1) 48" - MH INVERT CHANNEL w/XYPEX - FULL HEIGHT | 1440 lb         |
| 1) JOINT WRAP - 0.065"x6"x50' CONSEAL CS212      | 0 lb            |
| 1) JOINT WRAP PRIMER - CONSEAL CS-75 (1 gal.)    | 0 lb            |
| 1) ADMIXTURE XYPEX C-1000 RED                    | 0 lb            |
| 1) CASTING - JBS 1155 F/C SANITARY               | 250 lb          |
| 2) 48" - DBL 1"x14.5' Butyl (2x)                 | 0 lb            |
| 3) Kor-N-Seal1 - S106-12AW                       | 20 lb           |
| 9) MH Step ML-10-TDS-NCR - 10"                   | 0 lb            |
| <b>Structure Total:</b>                          | <b>10596 lb</b> |

**Structure Notes:**

- PER ASTM C478 SPECIFICATIONS.
- CONCRETE = 4,000 PSI AT 28 DAYS.
- ADMIXTURE = XYPEX C-1000 RED (AT 3.5% BY WEIGHT OF CONCRETE)
- CASTING BY ICAST (JBS 1155 F/C) SHIPPED LOOSE.

REINFORCING PER ASTM A615 (GRADE 60).

- CONE (As .12)
- RISER (As .12)
- FLOOR (As .31) #5 BARS AT 12" C.C.E.W.



48" - CON XYPEX CONE w/24" HOLE F/G - 36" - (P3)

|                                  |                                  |                    |                   |  |
|----------------------------------|----------------------------------|--------------------|-------------------|--|
| Coating (Int):<br>Coating (Ext): | Seam Up: Flat<br>Seam Dn: Groove | Wall Thickness: 5" | Height (Ext): 36" | Weight (Net): 2251 lb<br>Volume (Net): 0.57cu.yd |
|----------------------------------|----------------------------------|--------------------|-------------------|--|