

Job Name: 24-3462 Coles Ferry Section 20
 Job Location: Lebanon, TN
 Contractor: Covenant Constructors, LLC

Plant: Beaver Dam, KY
 2/23/2026 3:38:16 PM

Tech: J. Horsley
 PC: A. Chambers



Structure ID: SAMH A1

P1 MH048BA30X

MH BASE w/XYPEX T/n

- P4) 24" - CASTING HEIGHT - 6"
- P3) 48" - CON XYPEX CONE w/24" HOLE F/G - 36"
- P2) 48" - MH RISER w/XYPEX T/G - 48"
- P1) 48" - MH BASE w/XYPEX T/n - 30"
- 1) 48" - MH INVERT CHANNEL w/XYPEX - FULL HEIGHT
- 1) JOINT WRAP - 0.065"x6"x50' CONSEAL CS212
- 1) JOINT WRAP PRIMER - CONSEAL CS-75 (1 gal.)
- 1) ADMIXTURE XYPEX C-1000 RED
- 1) CASTING - JBS 1155 F/C SANITARY
- 2) 48" - DBL 1"x14.5' Butyl (2x)
- 3) Kor-N-Seal1 - S106-12AW
- 9) MH Step ML-10-TDS-NCR - 10"

0 lb
 2251 lb
 3353 lb
 3282 lb
 1440 lb
 0 lb
 0 lb
 0 lb
 250 lb
 0 lb
 20 lb
 0 lb

 Structure Total: 10596 lb

Structure Notes:
 1. PER ASTM C478 SPECIFICATIONS.
 2. CONCRETE = 4,000 PSI AT 28 DAYS.
 3. ADMIXTURE = XYPEX C-1000 RED (AT 3.5% BY WEIGHT OF CONCRETE)
 4. CASTING BY ICAST (JBS 1155 F/C) SHIPPED LOOSE.

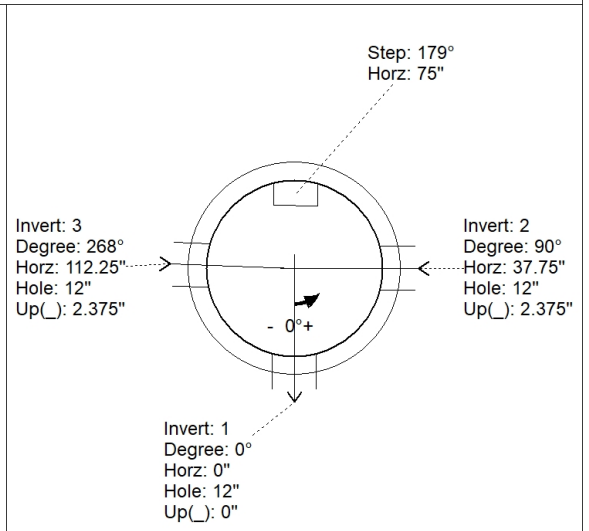
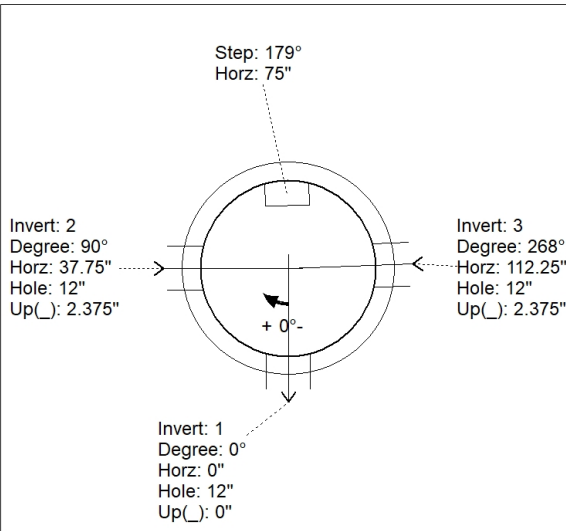
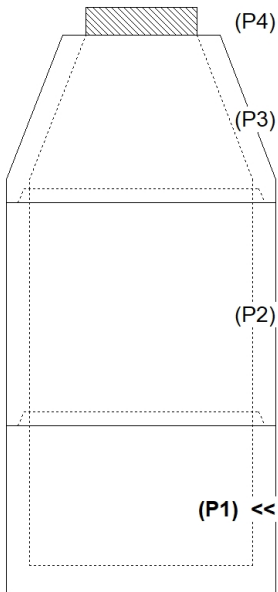
 REINFORCING PER ASTM A615 (GRADE 60).
 - CONE (As .12)
 - RISER (As .12)
 - FLOOR (As .31) #5 BARS AT 12" C.C.E.W.

Rim: 558' Rim to Invert: 9.92' Slack: 1.04" Sump: 2" Step Position: 179°

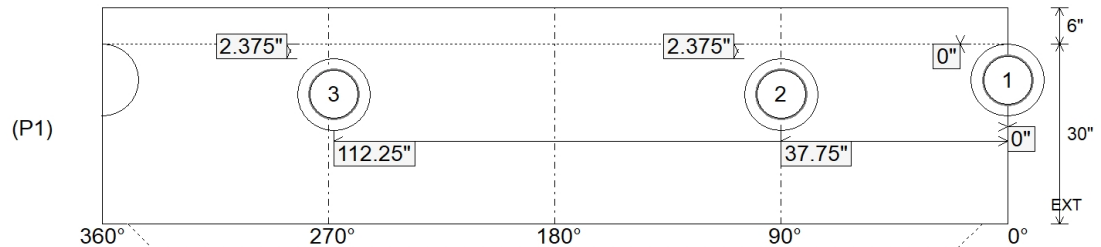
Position	Elev	Angle	Ext. (cw)	Pipe	Pipe OD	Connector	Hole	Horz Size	Up ()	Offset
Invert 1	548.08'	0°	0"	8" PVC SDR26	8.5"	Kor-N-Seal1 S106-12AW	12"	12.129"	0"	0"
Invert 2	548.28'	90°	45.5"	8" PVC SDR26	8.5"	Kor-N-Seal1 S106-12AW	12"	12.129"	2.375"	0"
Invert 3	548.28'	268°	135.625"	8" PVC SDR26	8.5"	Kor-N-Seal1 S106-12AW	12"	12.129"	2.375"	0"
Invert 4										
Invert 5										
Invert 6										
Invert 7										
Invert 8										

RIGHT-SIDE UP VIEW (int. dimensions)

UPSIDE-DOWN VIEW (int. dimensions)



INSIDE WALL DIMENSIONS



Coating (Int):
 Coating (Ext):

Seam Up: Tongue
 Seam Dn: n/a

Wall Thickness: 5"
 Floor Height: 6"

Height (Int): 30"
 Height (Ext): 36"

Weight (Net): 3282 lb
 Volume (Net): 0.84cu.yd

Job Name: 24-3462 Coles Ferry Section 20
 Job Location: Lebanon, TN
 Contractor: Covenant Constructors, LLC

Plant: Beaver Dam, KY
 2/23/2026 3:38:16 PM

Tech: J. Horsley
 PC: A. Chambers



Structure ID: SAMH A1

P1A MH048BA30X

MH BASE w/XYPEX T/n

- P4) 24" - CASTING HEIGHT - 6"
- P3) 48" - CON XYPEX CONE w/24" HOLE F/G - 36"
- P2) 48" - MH RISER w/XYPEX T/G - 48"
- P1) 48" - MH BASE w/XYPEX T/n - 30"
- 1) 48" - MH INVERT CHANNEL w/XYPEX - FULL HEIGHT
- 1) JOINT WRAP - 0.065"x6"x50' CONSEAL CS212
- 1) JOINT WRAP PRIMER - CONSEAL CS-75 (1 gal.)
- 1) ADMIXTURE XYPEX C-1000 RED
- 1) CASTING - JBS 1155 F/C SANITARY
- 2) 48" - DBL 1"x14.5' Butyl (2x)
- 3) Kor-N-Seal1 - S106-12AW
- 9) MH Step ML-10-TDS-NCR - 10"

0 lb
 2251 lb
 3353 lb
 3282 lb
 1440 lb
 0 lb
 0 lb
 0 lb
 250 lb
 0 lb
 20 lb
 0 lb

Structure Total: 10596 lb

Structure Notes:
 1. PER ASTM C478 SPECIFICATIONS.
 2. CONCRETE = 4,000 PSI AT 28 DAYS.
 3. ADMIXTURE = XYPEX C-1000 RED (AT 3.5% BY WEIGHT OF CONCRETE)
 4. CASTING BY ICAST (JBS 1155 F/C) SHIPPED LOOSE.

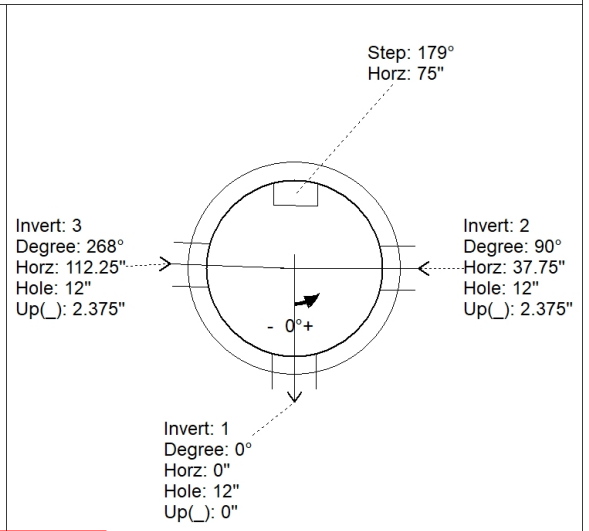
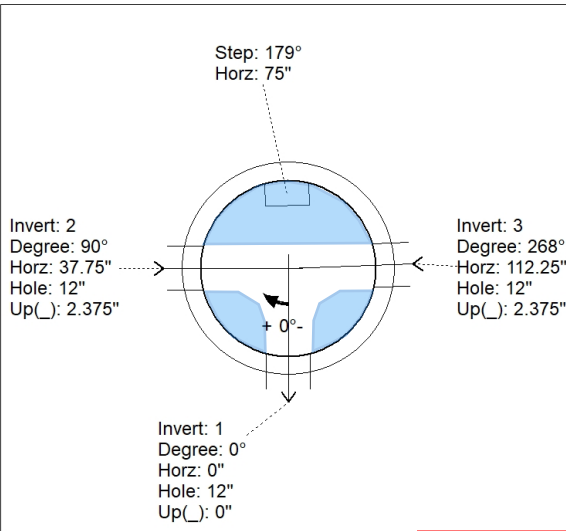
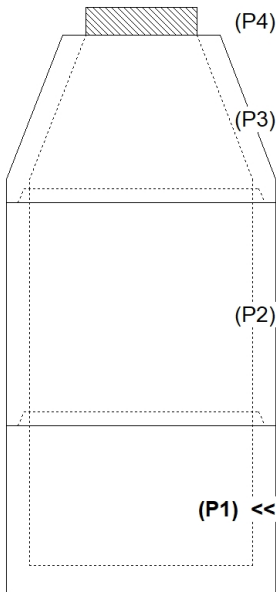
 REINFORCING PER ASTM A615 (GRADE 60).
 - CONE (As .12)
 - RISER (As .12)
 - FLOOR (As .31) #5 BARS AT 12" C.C.E.W.

Rim: 558' Rim to Invert: 9.92' Slack: 1.04" Sump: 2" Step Position: 179°

Position	Elev	Angle	Ext. (cw)	Pipe	Pipe OD	Connector	Hole	Horz Size	Up ()	Offset
Invert 1	548.08'	0°	0"	8" PVC SDR26	8.5"	Kor-N-Seal1 S106-12AW	12"	12.129"	0"	0"
Invert 2	548.28'	90°	45.5"	8" PVC SDR26	8.5"	Kor-N-Seal1 S106-12AW	12"	12.129"	2.375"	0"
Invert 3	548.28'	268°	135.625"	8" PVC SDR26	8.5"	Kor-N-Seal1 S106-12AW	12"	12.129"	2.375"	0"
Invert 4										
Invert 5										
Invert 6										
Invert 7										
Invert 8										

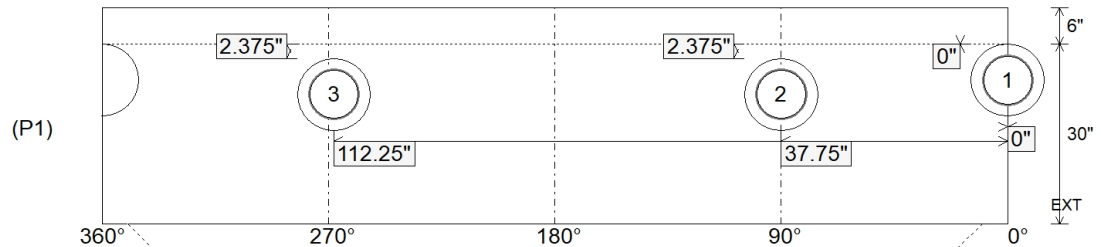
RIGHT-SIDE UP VIEW (int. dimensions)

UPSIDE-DOWN VIEW (int. dimensions)



INSIDE WALL DIMENSIONS

FOR INVERT ONLY



Coating (Int):
 Coating (Ext):

Seam Up: Tongue
 Seam Dn: n/a

Wall Thickness: 5"
 Floor Height: 6"

Height (Int): 30"
 Height (Ext): 36"

Weight (Net): 3282 lb
 Volume (Net): 0.84cu.yd