

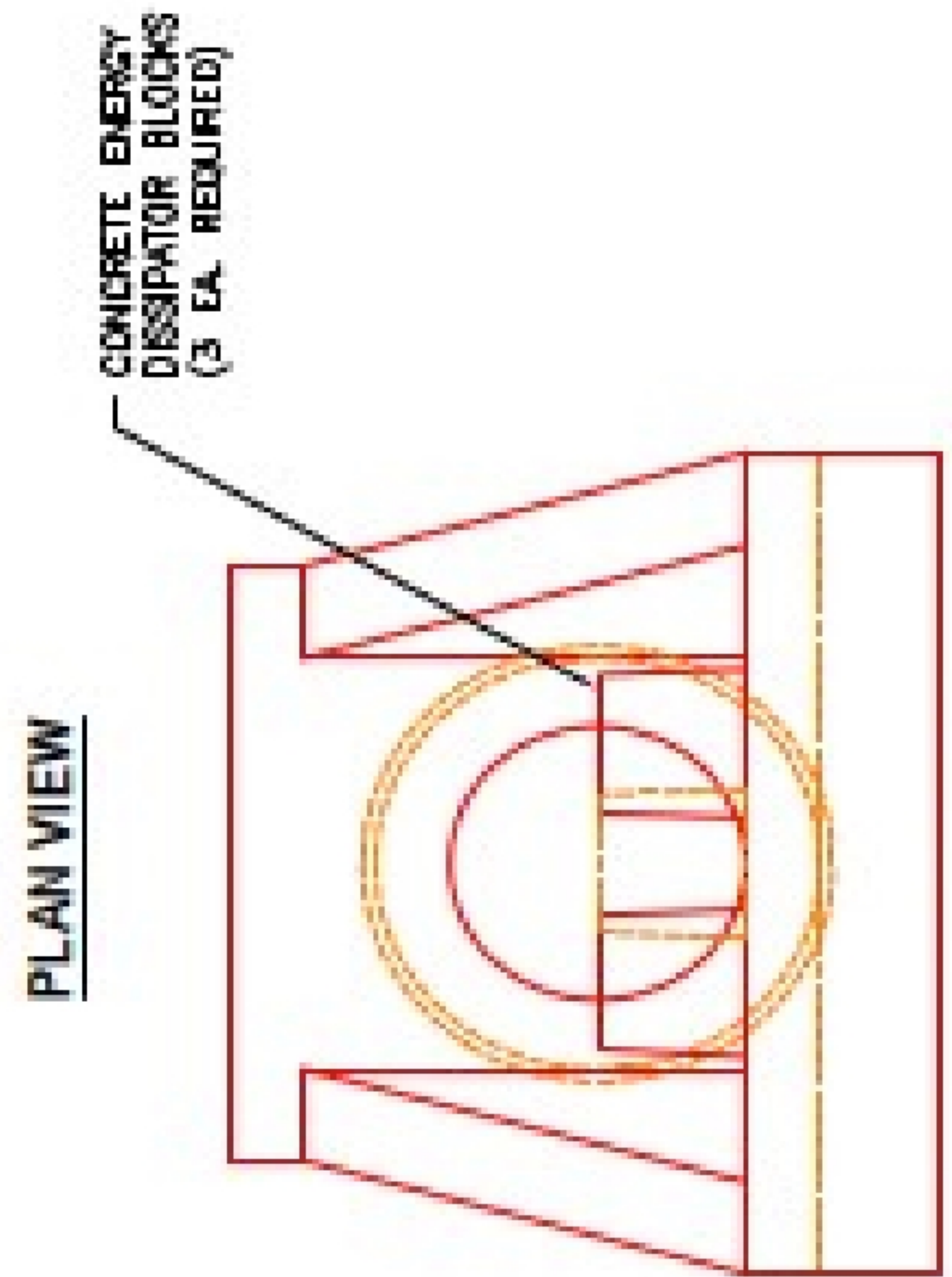
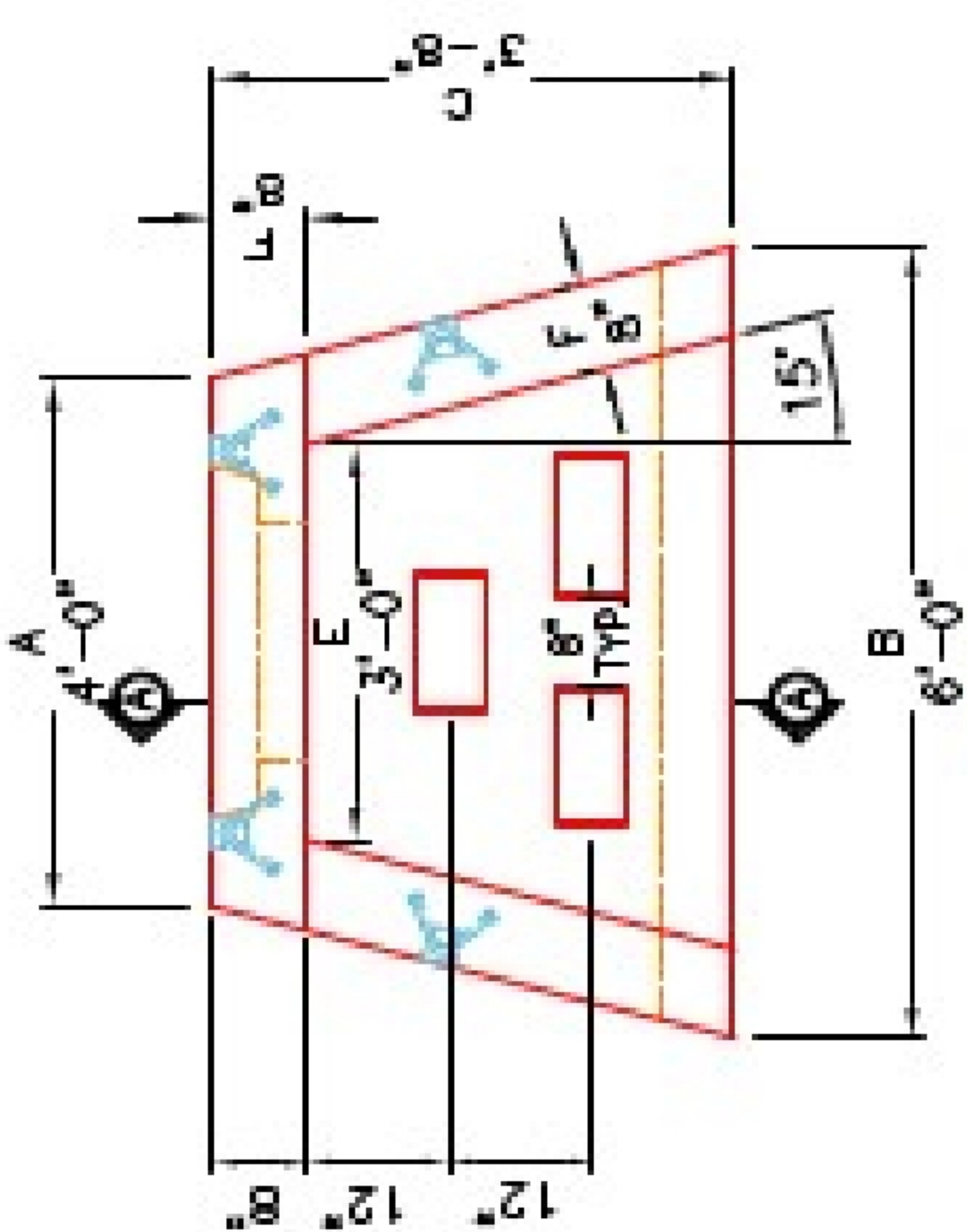
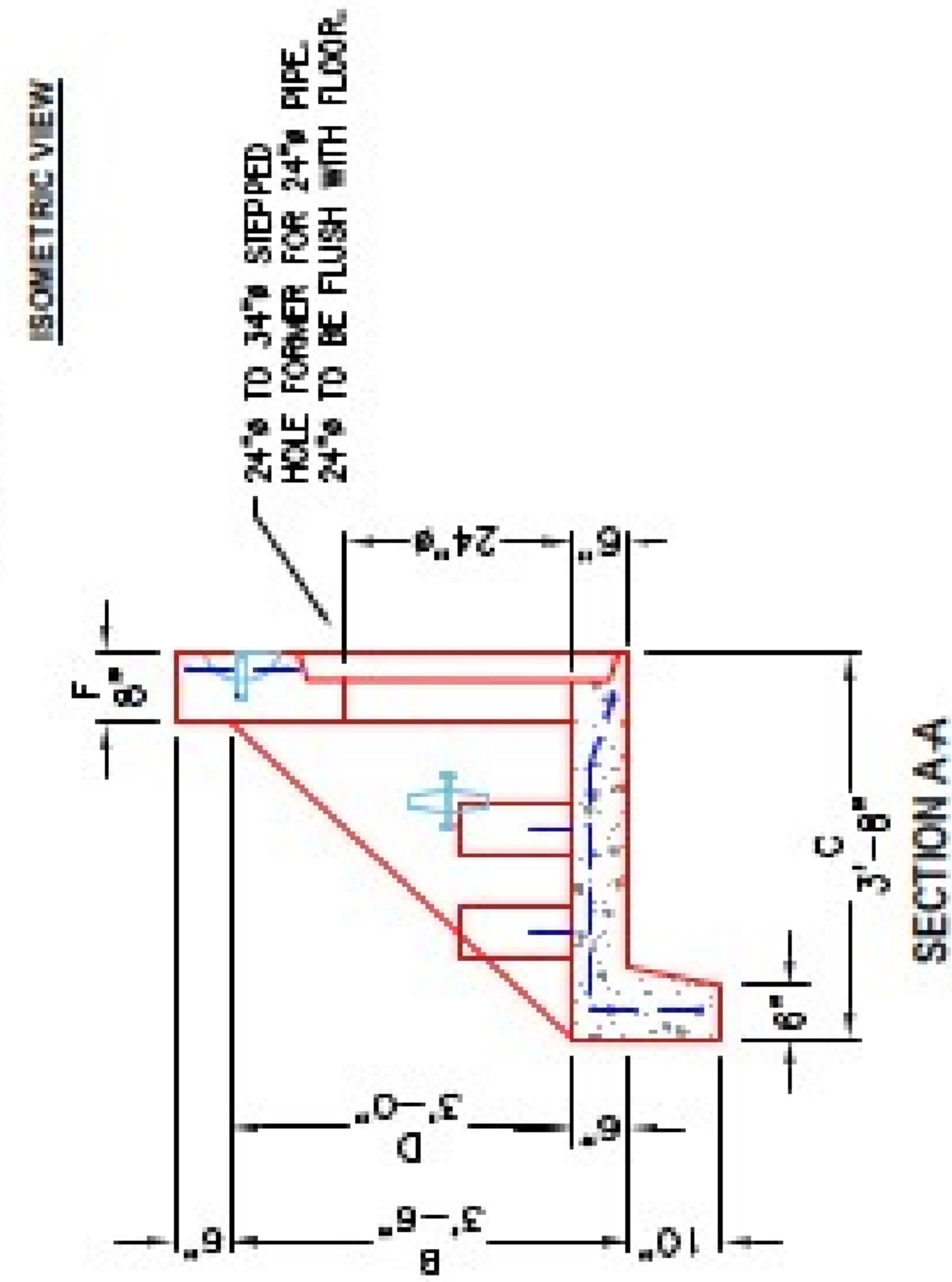
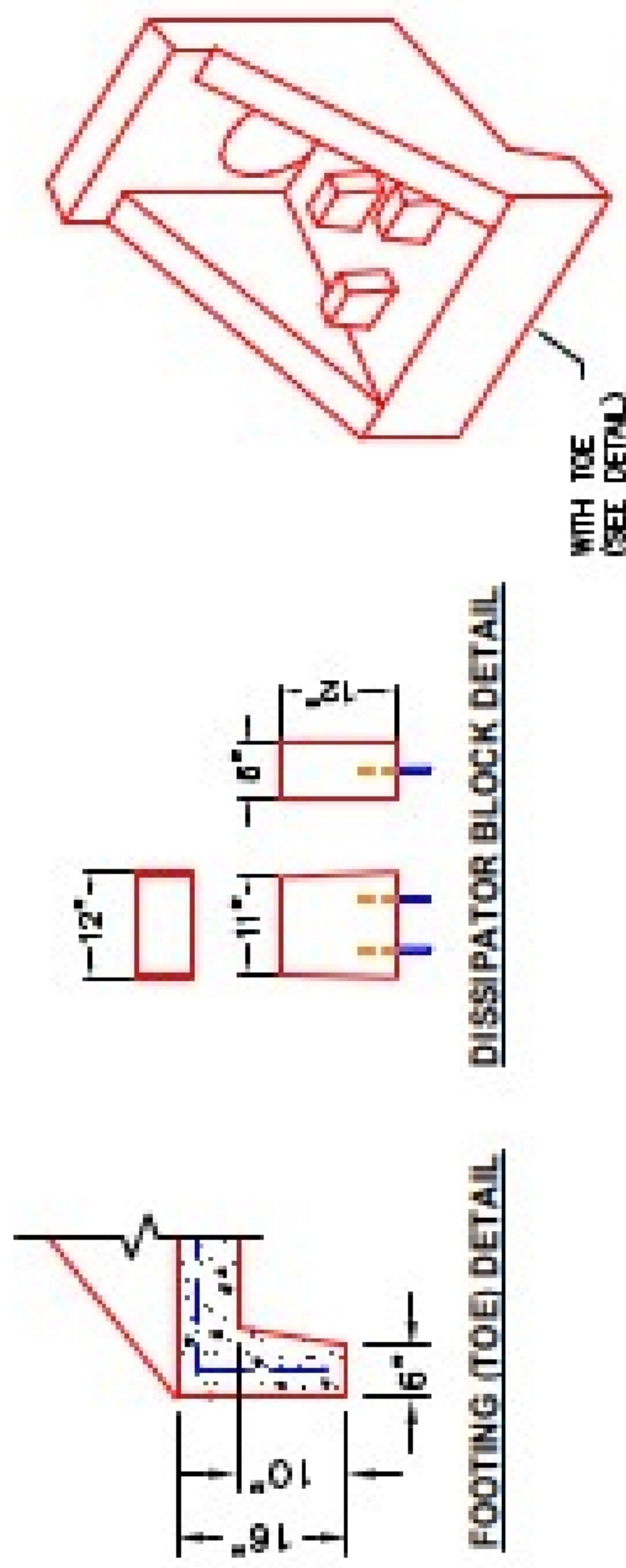


Structure ID: HW1 (HAW 18in)

P1 HAW18D

18" - HW AW w/TOE/DISSIPATORS F/F

| DIMENSIONS & QUANTITIES | | | | | | | | | | |
|-------------------------|--------|-------|-------|-------|-------|-------|----|----|--------------|------------|
| TYPE | PIPE Ø | A | B | C | D | E | F | G | DISS. BLOCKS | WEIGHT |
| BW | 24" | 4'-0" | 6'-0" | 3'-8" | 3'-0" | 3'-0" | 8" | 6" | 3 EA. | 3,100 LBS. |



- NOTES:**
1. CONCRETE: 4500 PSI AT 28 DAYS MIN. STRENGTH.
 2. REINFORCING: #4 BAR @ 12" C/C E.W.-GRADE 60, (WITH 2" CONCRETE COVER MINIMUM)
 3. REINFORCING BARS TO BE TACK WELDED OR TIED.
 4. DISSIPATOR BLOCKS INSTALLED POST POUR OF HEADWALL WITH 2 EA. #5 REBAR DOWELS.

| PRODUCTION WORK ORDER | | DESCRIPTION: 24in BW HEADWALL w/DISSIPATORS | |
|-----------------------------|------------------------|---|---------------------|
| PRODUCT I.D.: HMBW24D | CUSTOMER: T.B.D. | SALES ORDER NO: T.B.D. | SCALE: NTS |
| PRODUCT VIEW: RIGHT SIDE UP | PROJECT: T.B.D. | CHECK: A. WELLS | DRAWING: J. HORSLEY |
| PLANT: BEAVER DAM, KY. | STRUCTURE ID: T.B.D. | DATE: 01/24/25 | PG. 1 of 1 |
| WEIGHT: 3,100 LBS. | TOP SECTION JOINT: N/A | | |
| BASE SECTION JOINT: TOE | QC CHECK INITIALS: | | |

