

Job Name: 24-3159B WAWA Lawrenceburg D12
Job Location: Lawrenceburg, IN
Contractor: Alpha Construction

PC: J. Jarvis
 TECH: J. Coppage
 Plant: Beaver Dam



Structure ID: **D12**

Spec: Storm
 Type: STM.MH (Recessed pipe)
 Size: 48"

Rim: 480.62'
 Invert: 475.52'
 Rim to Invert: 5.1'

Sump: 0"
 Floor (Top): 475.52'
 Floor Height: 6"

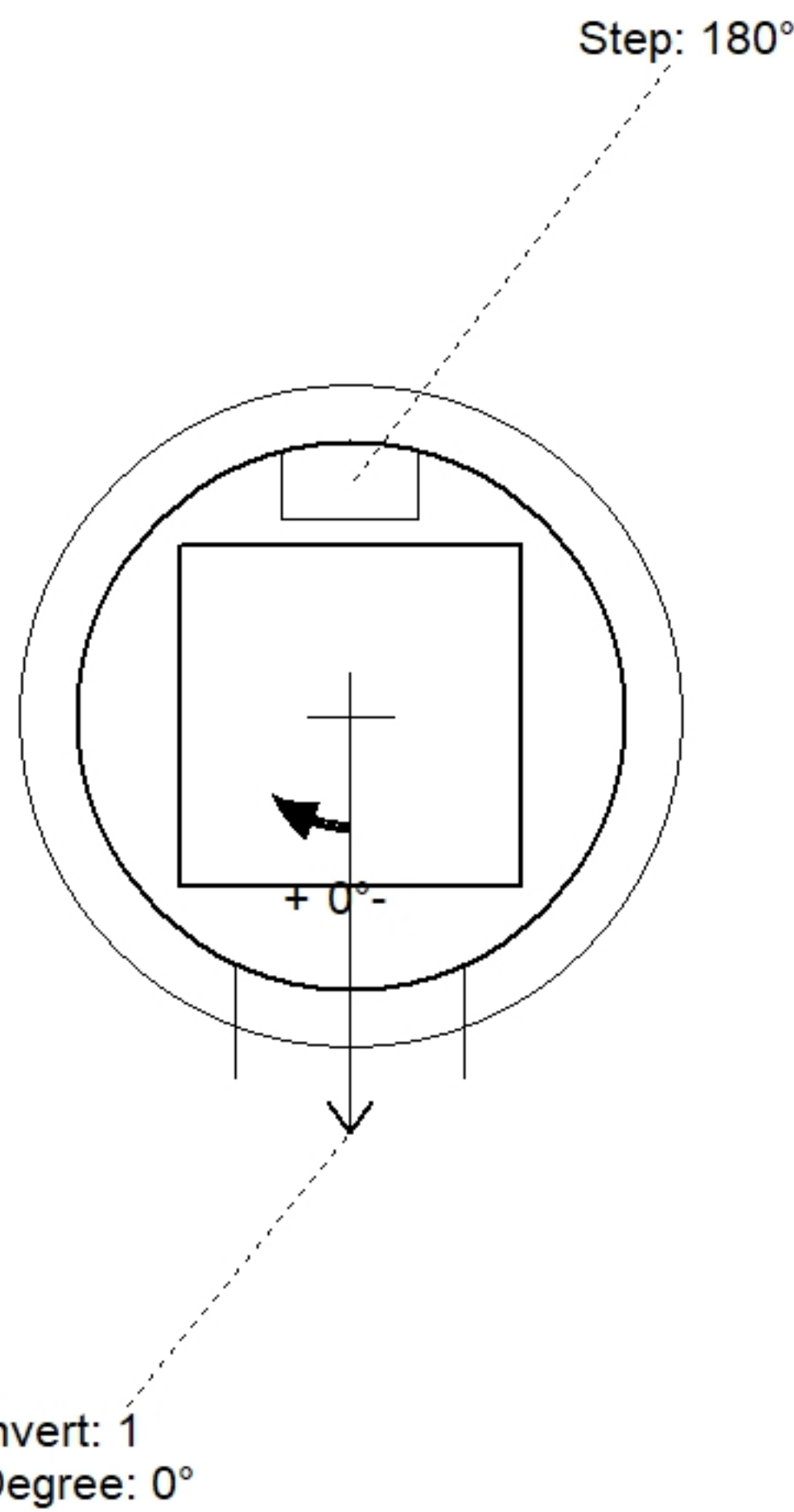
Floor (Bot): 475.02'
 Overall Height: 5.5'
 Slack: 1.2"

Structure Notes:

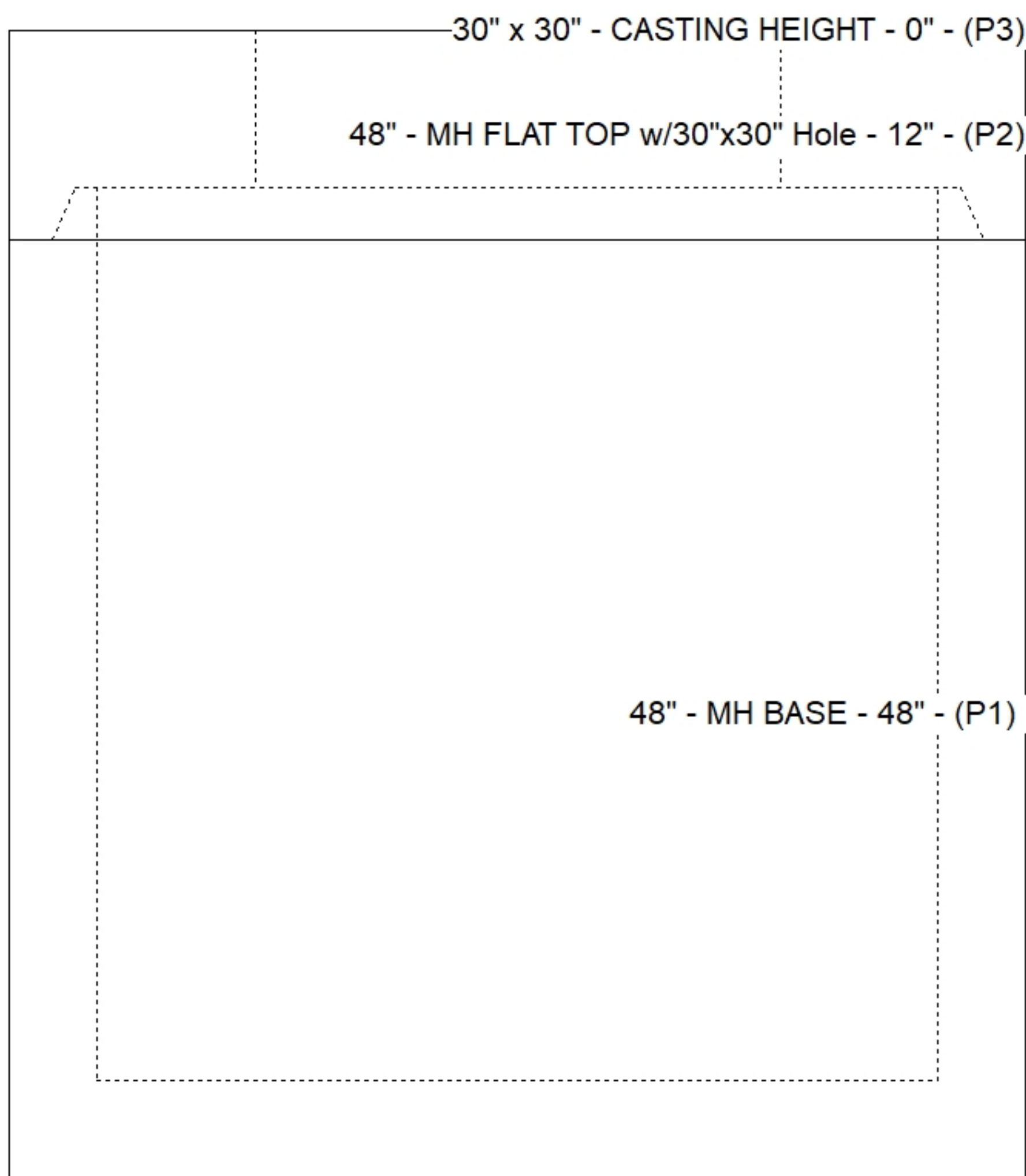
1. JR HOE R-4215-C PROVIDED BY ICAST.
2. PER ASTM C478 SPECIFICATIONS.
3. CONCRETE = 4,000 PSI AT 28 DAYS.
4. REINFORCING PER ASTM A615 (GRADE 60).
 - TOP SLAB (As .62) #5 BARS AT 6" C.C.E.W..
 - RISER/WALLS (As .12)
 - FLOOR (As .31) #5 BARS AT 12" C.C.E.W.
5. PRODUCTION TO PLACE A 1" DEEP X 2.5" WIDE RECESS FOR THE GRATING TO SIT INTO.

STRUCTURE SUMMARY:

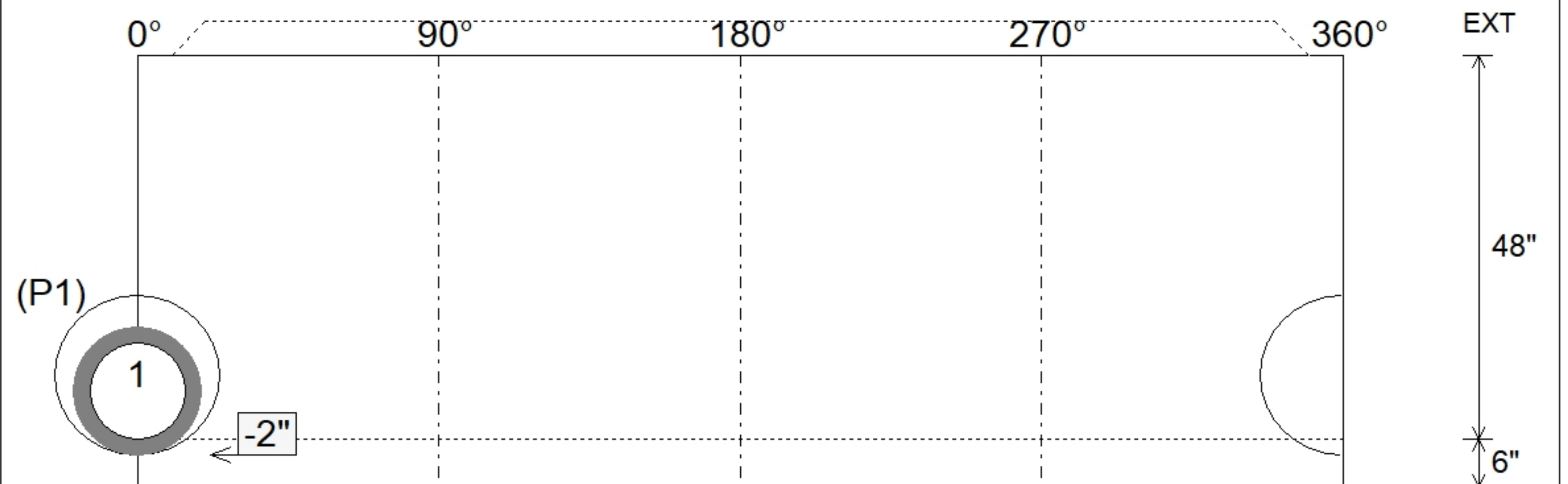
P3) 30" x 30" - CASTING HEIGHT - 0"	0 lb
P2) 48" - MH FLAT TOP w/30"x30" Hole - 12"	1350 lb
P1) 48" - MH BASE - 48"	4548 lb
1) 48" - Conseal CS-102 1.00"	0 lb
1) 30" x 30" - Conseal CS-102 1.00"	0 lb
1) Hole - 20	0 lb
4) MH Step ML-10-TDS-NCR - 10"	0 lb
Structure Total:	5898 lb



Position	Elev	Angle	Pipe	Pipe OD	Hole	Connector	Up ()	Ref
Rim	480.62'							
Reducer								
Invert 1	475.52'	0°	12" RCP B WALL	16"	20"	Hole 20	-2"	P1
Invert 2								
Invert 3								
Invert 4								
Invert 5								
Invert 6								
Invert 7								
Invert 8								



Default - Interior Dimensions



Submittal Drawing
 12/10/2025 2:37:26 PM

SUBMITTAL
 APPROVED BY: