

Job Name: 24-3088D Coral Ridge Section 3
 Job Location: Hillview, KY
 Contractor: Dirt Design Construction LLC

Plant: Beaver Dam

Tech: J. Coppage

12/8/2025 11:48:05 AM

PC: C. Goff



Structure ID: Graderings

P2 GR4

GRADE RING

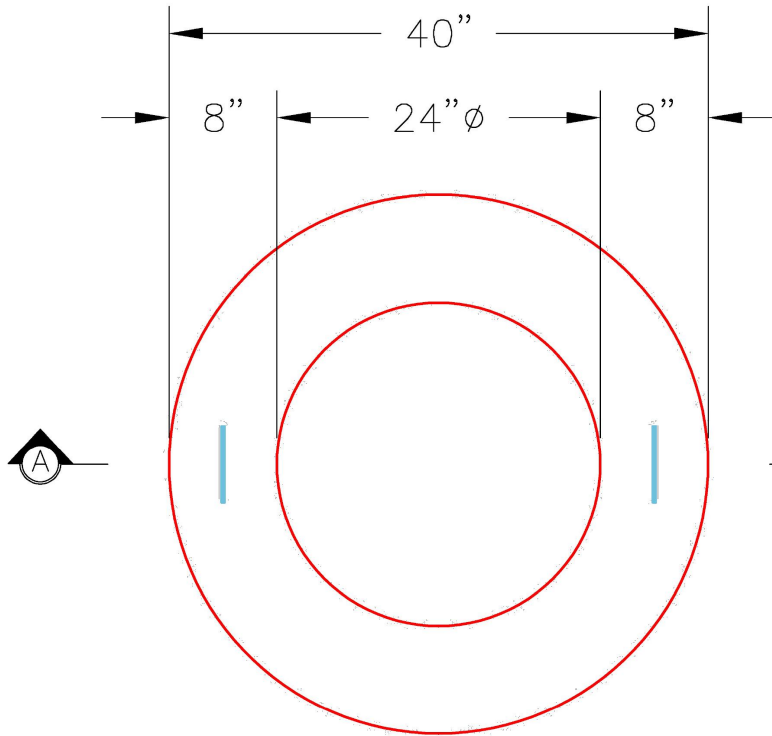
P3) 24" - CASTING HEIGHT - 0"
 P2) 24" - GRADE RING - 4"
 P1) 24" - GRADE RING - 6"

0 lb
 270 lb
 405 lb

 Structure Total: 675 lb

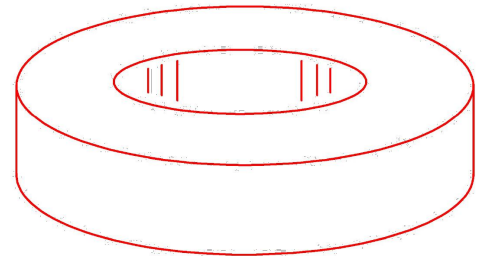
Structure Notes:

1. PER ASTM C478 SPECIFICATIONS.
2. CONCRETE = 4,000 PSI AT 28 DAYS.
3. REINFORCING PER ASTM A615 (GRADE 60).
 - TOP SLAB (As .62) #5 BARS AT 6" C.C.E.W..
 - RISER/WALLS (As .12)
 - FLOOR (As .31) #5 BARS AT 12" C.C.E.W.



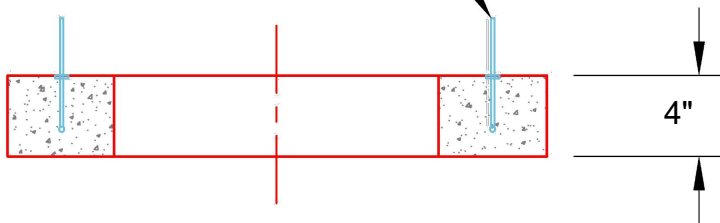
PLAN VIEW

2. WEIGHT: 6" 406 Lbs.



ISOMETRIC VIEW

2x CONAC WRA016 WIRE ROPE LIFTING ANCHORS



SECTION A-A

Coating (Int):
 Coating (Ext):

Seam Up: Flat
 Seam Dn: Flat

Wall Thickness: 8"

Height (Ext): 4"

Weight (Net): 270 lb
 Volume (Net): 0.07cu.yd