

Job Name: 24-3088D Coral Ridge Section 3  
 Job Location: Hillview, KY  
 Contractor: Dirt Design Construction LLC

Plant: Beaver Dam

Tech: J. Coppage

12/8/2025 11:48:04 AM

PC: C. Goff



**Structure ID: Graderings**

**P1 GR6**

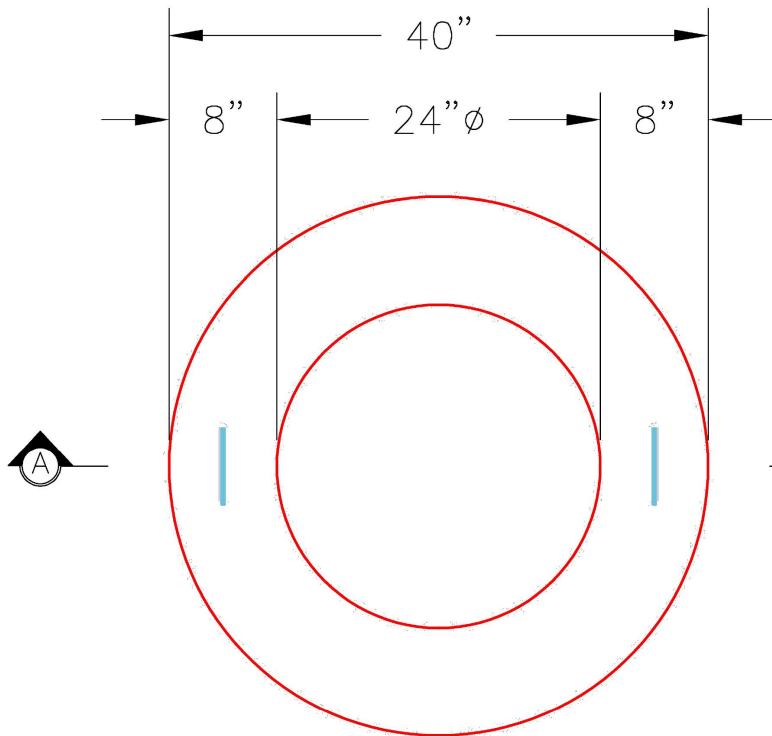
**GRADE RING**

P3) 24" - CASTING HEIGHT - 0"  
 P2) 24" - GRADE RING - 4"  
 P1) 24" - GRADE RING - 6"

0 lb  
 270 lb  
 405 lb  
 -----  
 Structure Total: 675 lb

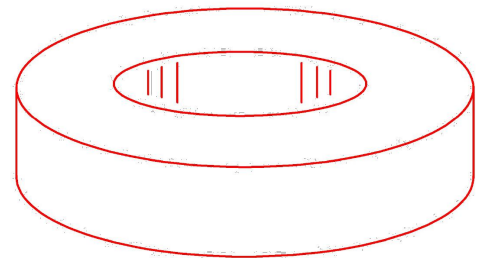
Structure Notes:

1. PER ASTM C478 SPECIFICATIONS.
2. CONCRETE = 4,000 PSI AT 28 DAYS.
3. REINFORCING PER ASTM A615 (GRADE 60).
  - TOP SLAB (As .62) #5 BARS AT 6" C.C.E.W..
  - RISER/WALLS (As .12)
  - FLOOR (As .31) #5 BARS AT 12" C.C.E.W.

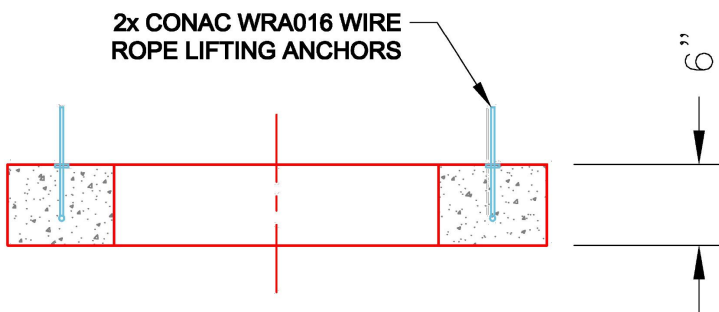


**PLAN VIEW**

2. WEIGHT: 6" 406 Lbs.



**ISOMETRIC VIEW**



**SECTION A-A**

Coating (Int):  
 Coating (Ext):

Seam Up: Flat  
 Seam Dn: Flat

Wall Thickness: 8"

Height (Ext): 6"

Weight (Net): 405 lb  
 Volume (Net): 0.1cu.yd