

**Job Name: 24-3088D Coral Ridge Section 3**  
**Job Location: Hillview, KY**  
**Contractor: Dirt Design Construction LLC**

PC: C. Goff  
 TECH: J. Coppage  
 Plant: Beaver Dam



Structure ID: 48in Tall Riser FTB

Spec: Storm  
 Type: STM.MH  
 Size: 48"

Rim: 0'  
 Invert: 0'  
 Rim to Invert: 0'

Sump: 0"  
 Floor (Top): -4'  
 Floor Height: 0"

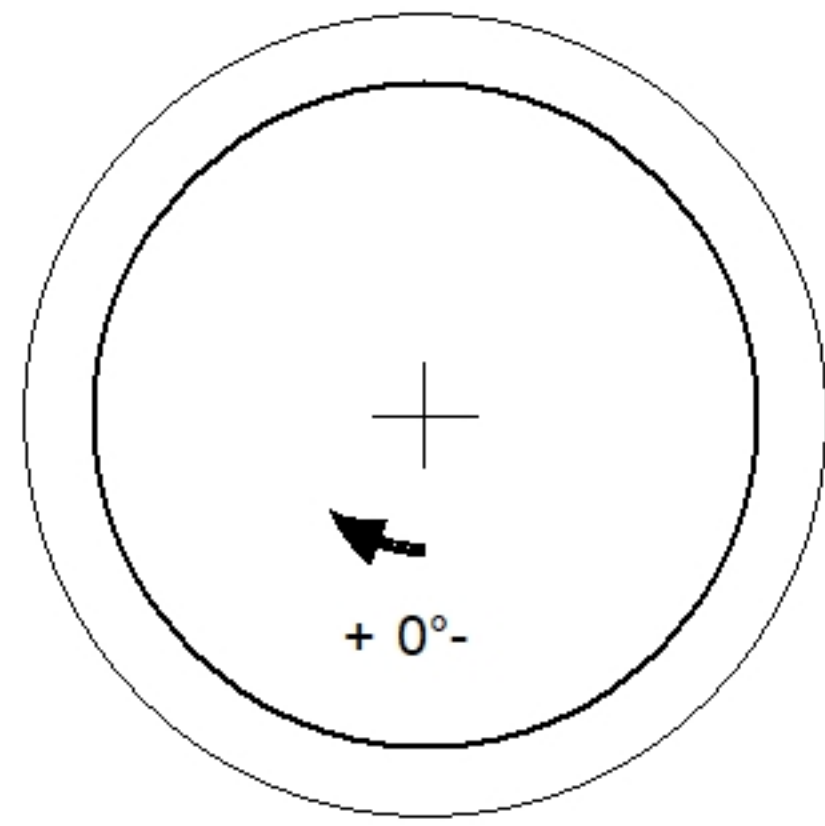
Floor (Bot): -4'  
 Overall Height: 4'  
 Slack: 0"

Structure Notes:

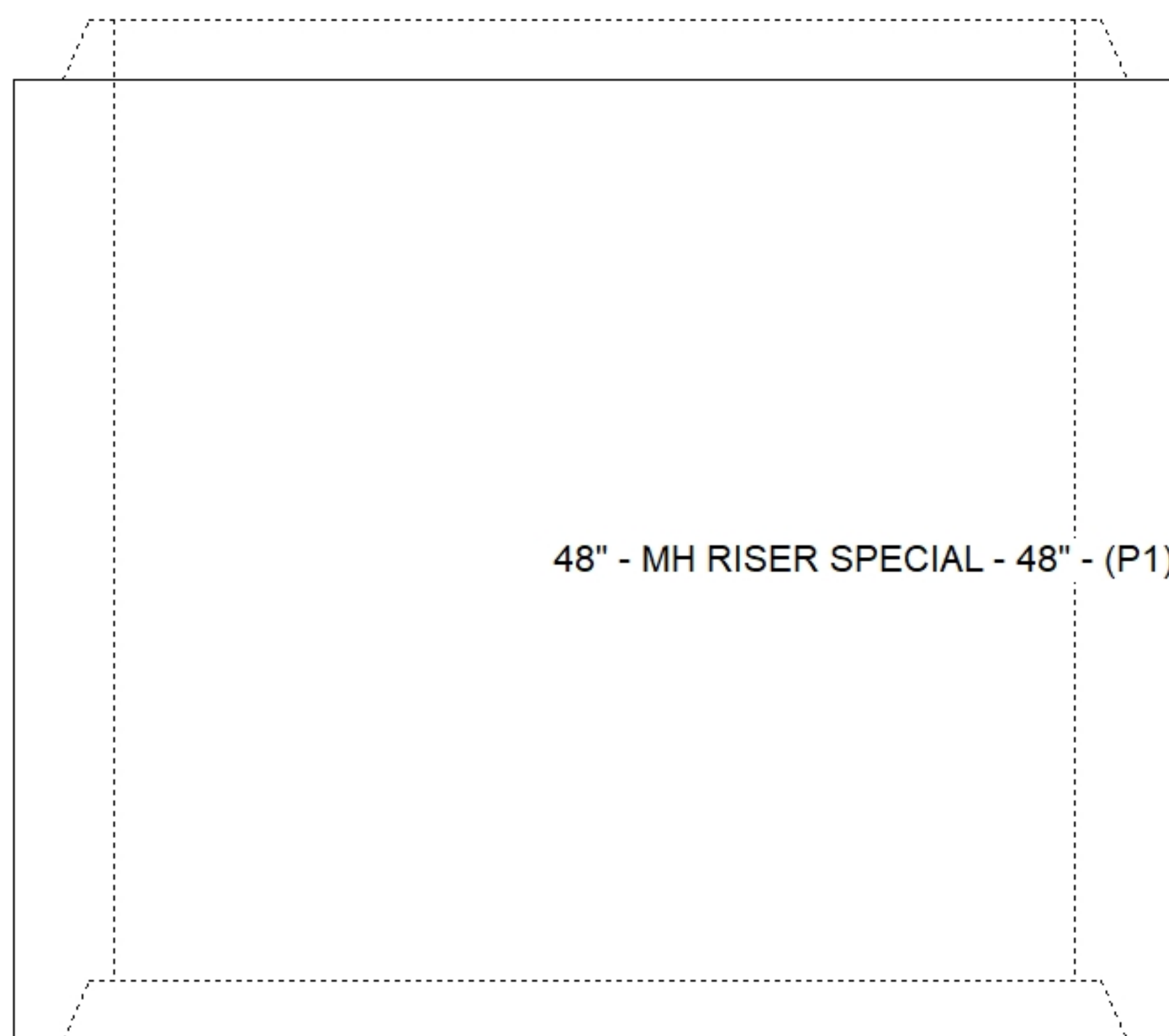
1. PER ASTM C478 SPECIFICATIONS.
2. CONCRETE = 4,000 PSI AT 28 DAYS.
3. REINFORCING PER ASTM A615 (GRADE 60).  
 - RISER/WALLS (As .12)
4. **\*\*NO STEPS\*\***

STRUCTURE SUMMARY:

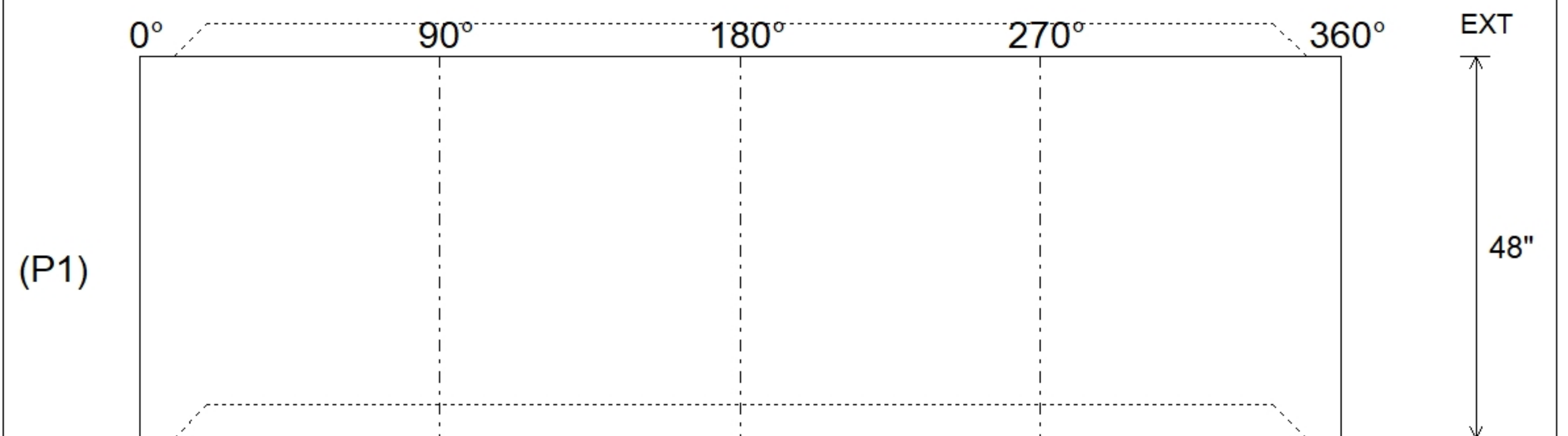
P1) 48" - MH RISER SPECIAL - 48" 3353 lb  
 1) 48" - SGL 1"x14.5' Butyl (2x) 0 lb  
-----  
 Structure Total: 3353 lb



Position	Elev	Angle	Pipe	Pipe OD	Hole	Connector	Up ( )	Ref
Rim	0'							
Reducer								
Invert 1								
Invert 2								
Invert 3								
Invert 4								
Invert 5								
Invert 6								
Invert 7								
Invert 8								



**Default - Interior Dimensions**



Submittal Drawing  
 12/8/2025 3:25:59 PM

SUBMITTAL  
 APPROVED BY: