

Job Name: 24-3088D Coral Ridge Section 3
Job Location: Hillview, KY
Contractor: Dirt Design Construction LLC

PC: C. Goff
 TECH: J. Coppage
 Plant: Beaver Dam



Structure ID: 36in Tall Riser
 Spec: Storm
 Type: STM.MH
 Size: 48"

Rim: 0'
 Invert: 0'
 Rim to Invert: 0'

Sump: 0"
 Floor (Top): -3'
 Floor Height: 0"

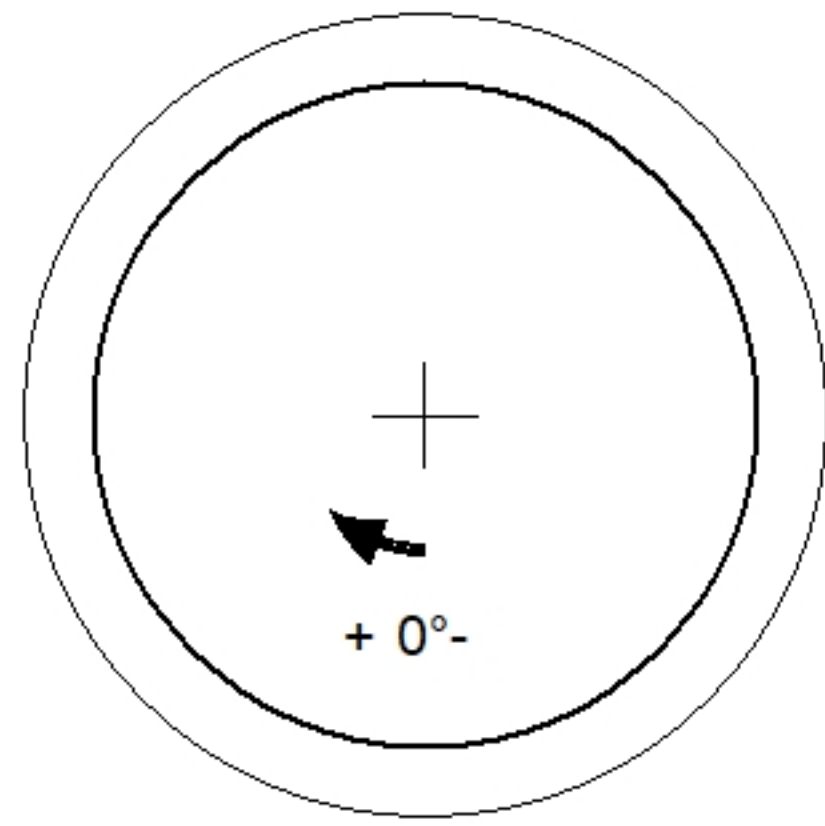
Floor (Bot): -3'
 Overall Height: 3'
 Slack: 0"

Structure Notes:

1. PER ASTM C478 SPECIFICATIONS.
2. CONCRETE = 4,000 PSI AT 28 DAYS.
3. REINFORCING PER ASTM A615 (GRADE 60).
 - RISER/WALLS (As .12)
4. ****NO STEPS****

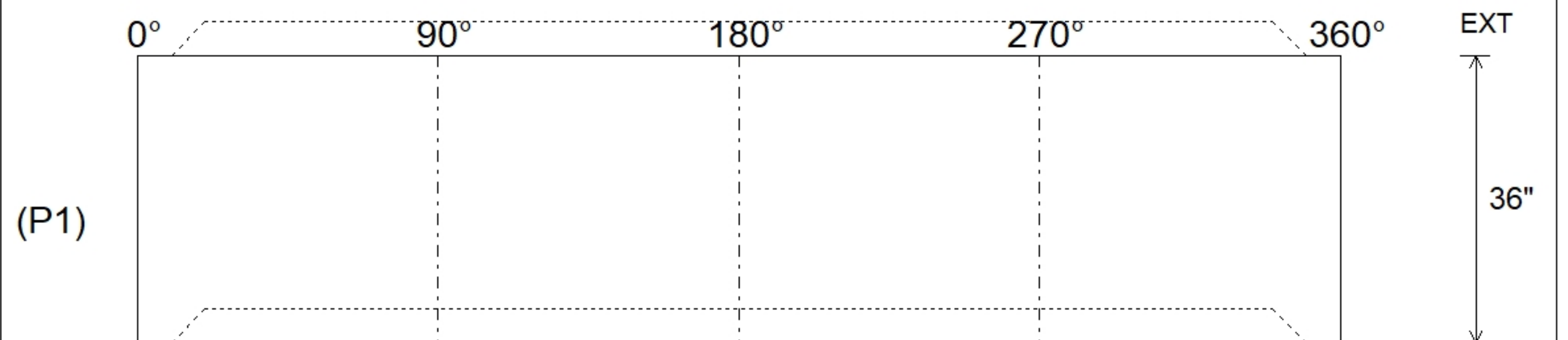
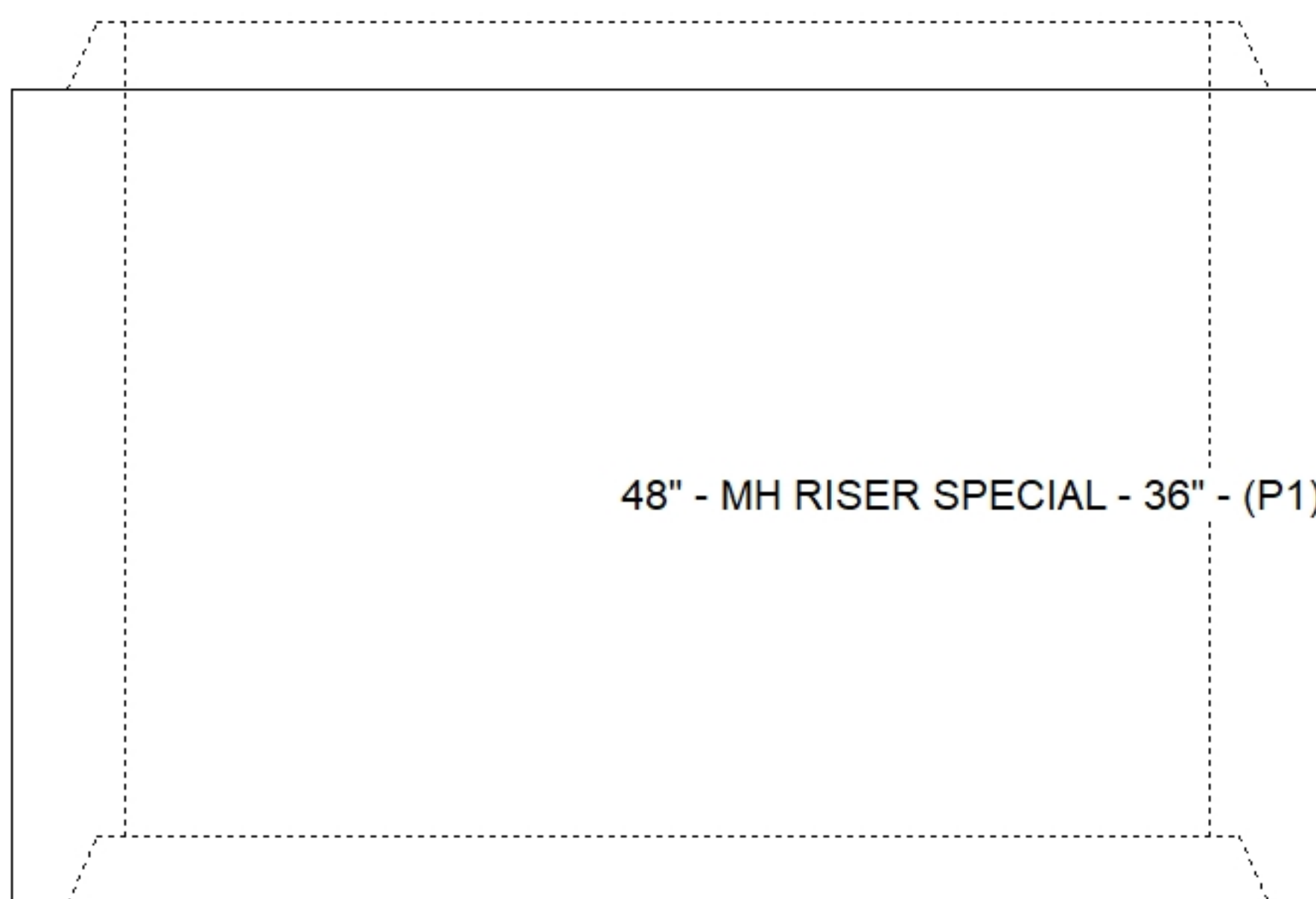
STRUCTURE SUMMARY:

P1) 48" - MH RISER SPECIAL - 36" 2515 lb
 1) 48" - SGL 1"x14.5' Butyl (2x) 0 lb
 Structure Total: 2515 lb



Position	Elev	Angle	Pipe	Pipe OD	Hole	Connector	Up ()	Ref
Rim	0'							
Reducer								
Invert 1								
Invert 2								
Invert 3								
Invert 4								
Invert 5								
Invert 6								
Invert 7								
Invert 8								

Default - Interior Dimensions



Submittal Drawing
 12/8/2025 3:25:59 PM

SUBMITTAL
 APPROVED BY: