

**Job Name: 24-3061B Graves Co Admin Building**  
**Job Location: Mayfield, KY**  
**Contractor: Sykes Family Farms, LLC.**

PC: J. Jarvis  
 TECH: J. Coppage  
 Plant: Beaver Dam



Structure ID: **ST-16**

Spec: Storm  
 Type: BX 8inW, 8inF  
 Size: 24" x 24"

Rim: 463.84'  
 Invert: 461.71'  
 Rim to Invert: 2.13'

Sump: 0"  
 Floor (Top): 461.71'  
 Floor Height: 8"

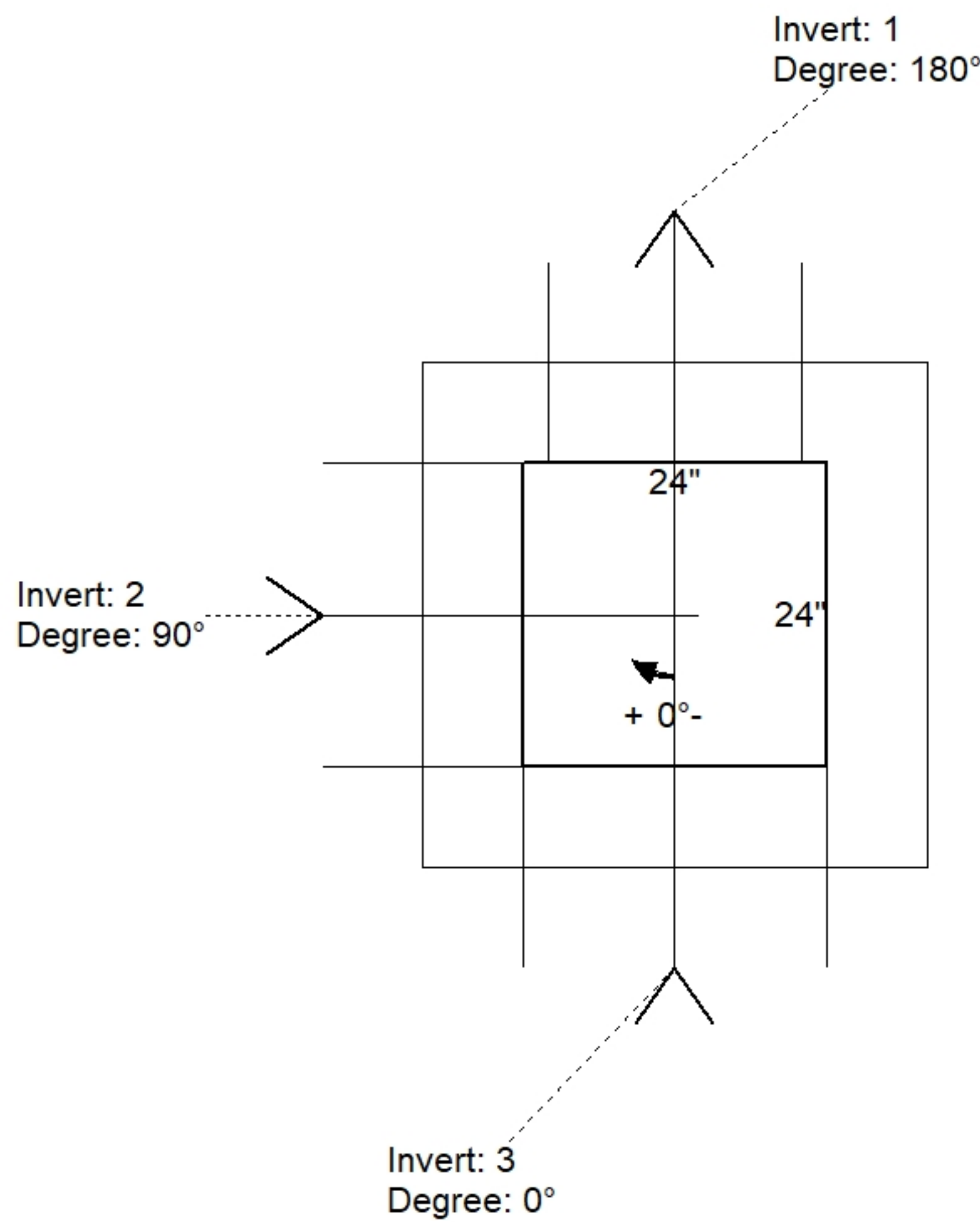
Floor (Bot): 461.043'  
 Overall Height: 2.75'  
 Slack: 0.56"

**Structure Notes:**

1. JR HOE HOE-280T PROVIDED BY ICAST.
2. PER ASTM C913 SPECIFICATIONS.
3. CONCRETE = 4,000 PSI AT 28 DAYS.
4. REINFORCING PER ASTM A615 (GRADE 60).  
 - WALLS (As .12) #5 BARS AT 12" C.C.E.W.  
 - FLOOR (As .12) #5 BARS AT 12" C.C.E.W.
5. ALL THREE STYROFOAM INVERTED DOGHOUSE OPENINGS WILL NEED TO REMAIN IN-PLACE UNTIL THIS UNIT IS INSTALLED IN THE FIELD & WILL BE HANDLED W/ 2 EA LIFTERS IN THE FLOOR.

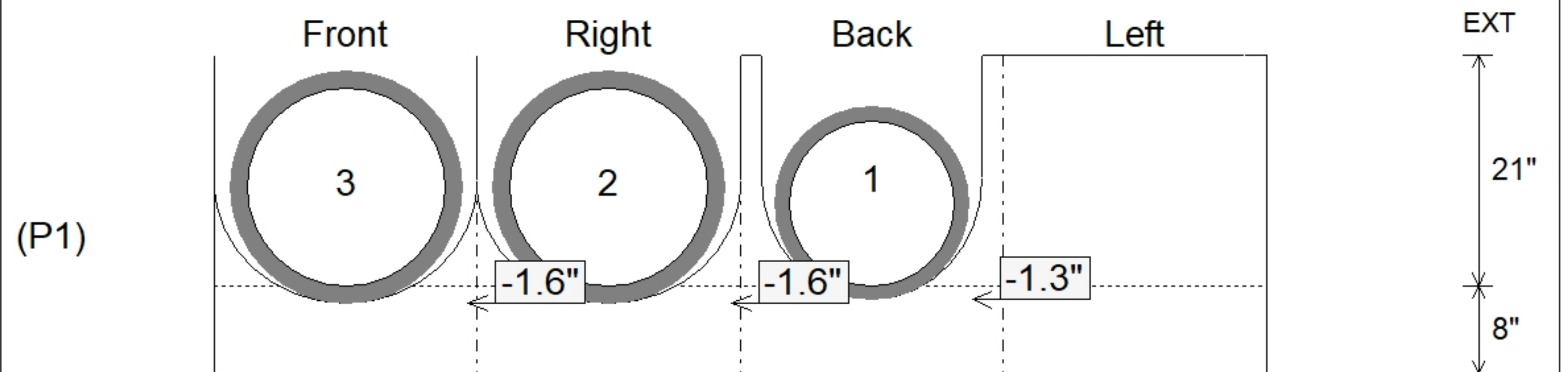
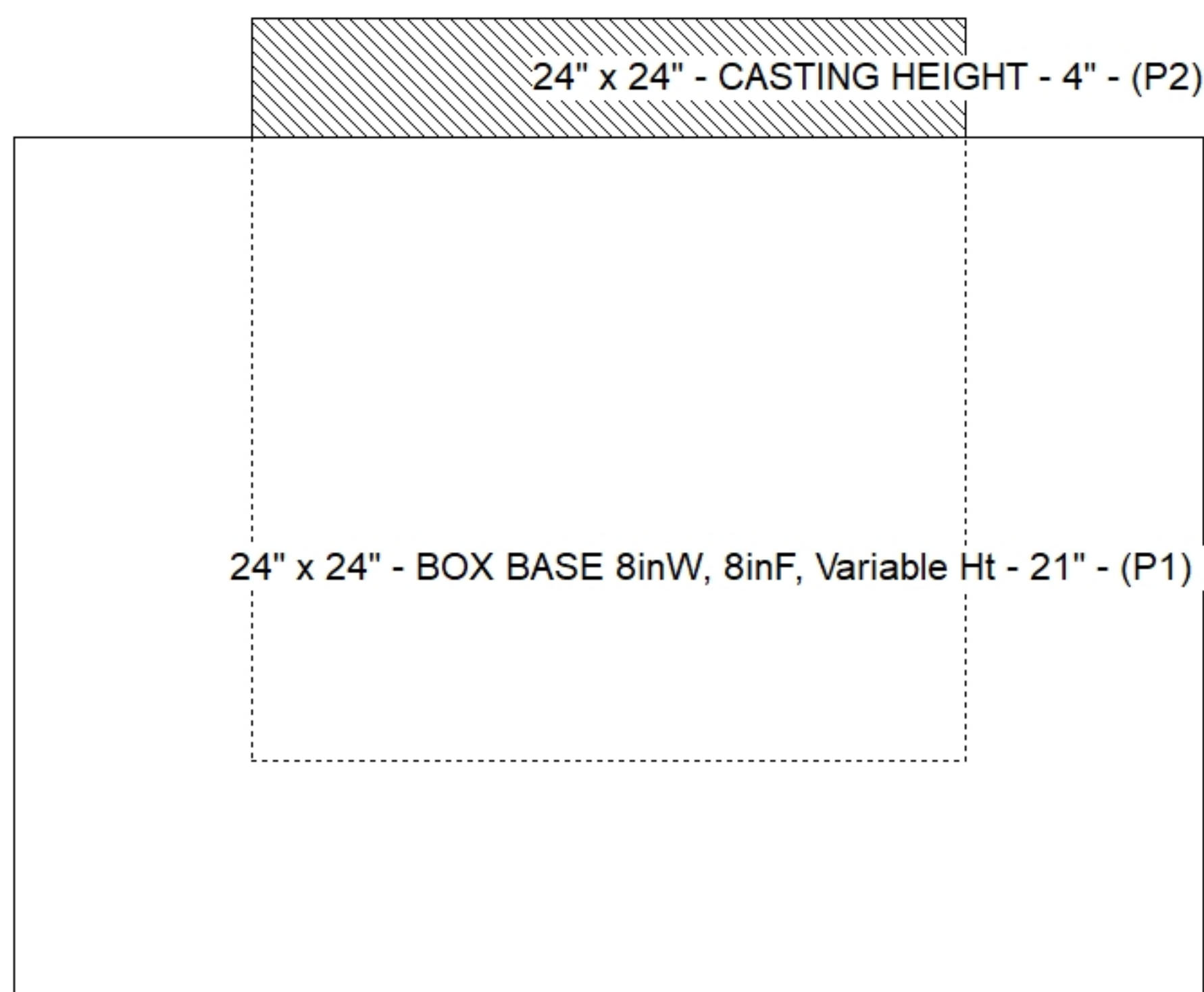
**STRUCTURE SUMMARY:**

P2) 24" x 24" - CASTING HEIGHT - 4"	0 lb
P1) 24" x 24" - BOX BASE 8inW, 8inF, Variable Ht - 21"	2122 lb
1) 24" x 24" - SGL 1"x14.5' Butyl	0 lb
1) DOGHOUSE INVRTD - 20"x22"	0 lb
2) DOGHOUSE INVRTD - 24"x22"	0 lb
<b>Structure Total:</b>	<b>2122 lb</b>



Position	Elev	Angle	Pipe	Pipe OD	Hole	Connector	Up ( )	Ref
Rim	463.84'							
Reducer								
Invert 1	461.71'	180°	15" HDPE	17.6"	20" x 22"	DOGHOUSE INVRTD 20"x22"	-1.3"	P1
Invert 2	461.71'	90°	18" HDPE	21.2"	24" x 22"	DOGHOUSE INVRTD 24"x22"	-1.6"	P1
Invert 3	461.71'	0°	18" HDPE	21.2"	24" x 22"	DOGHOUSE INVRTD 24"x22"	-1.6"	P1
Invert 4								
Invert 5								
Invert 6								
Invert 7								
Invert 8								

**Default - Interior Dimensions**



Submittal Drawing  
 12/23/2025 11:08:49 AM

SUBMITTAL  
 APPROVED BY: