

Job Name: 24-2754 - East Jessamine Middle School PS
Job Location: Nicholasville, KY 40356
Contractor: Weddle Enterprises, Inc

PC: C. Goff
 TECH: K. Cardwell
 Plant: Beaver Dam, KY



Structure ID: **Sanitary MH 47+82**

Spec: Sanitary
 Type: SAN.MH w/Xypex
 Size: 48"

Rim: 946.5'
 Invert: 939.01'
 Rim to Invert: 7.49'

Sump: 2"
 Floor (Top): 938.843'
 Floor Height: 6"

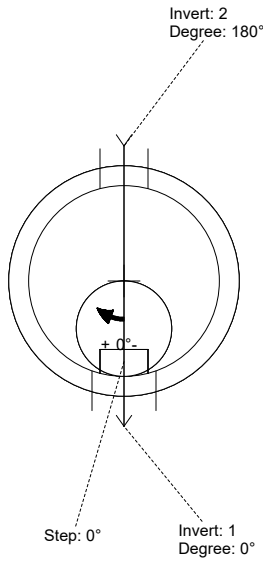
Overall Height: 8.083'
 Slack: 0.88"

Structure Notes:

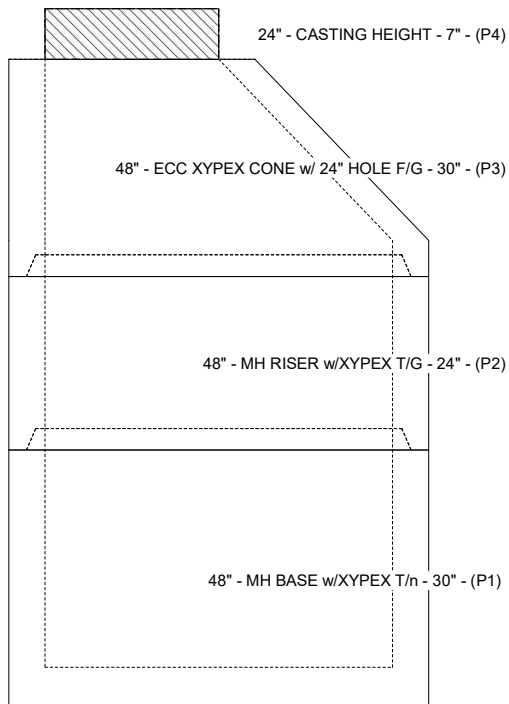
- STATION: 47+82
 1. PER ASTM C-478 SPECS
 2. CONCRETE: 4,000 PSI AT 28 DAYS
 3. REINFORCEMENT: PER ASTM A615
 4. XYPEX ADMIXTURE REQUIRED
 5. INVERT CHANNEL REQUIRED
 6. STEPS AT 0 DEGREES
 7. HOE MC-350 FRAME & COVER "SANITARY" SUPPLIED BY ICAST

STRUCTURE SUMMARY:

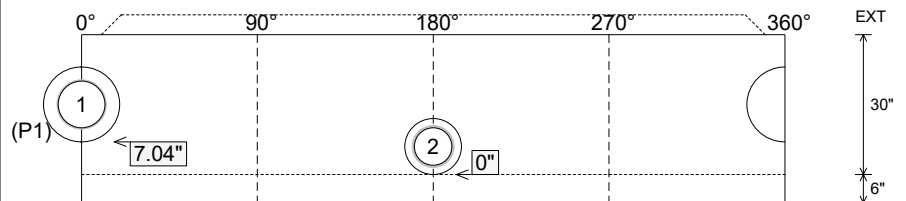
P4) 24" - CASTING HEIGHT - 7"	0 lb
P3) 48" - ECC XYPEX CONE w/ 24" HOLE F/G - 30"	1981 lb
P2) 48" - MH RISER w/XYPEX T/G - 24"	1677 lb
P1) 48" - MH BASE w/XYPEX T/n - 30"	3292 lb
1) JOINT WRAP PRIMER - CONSEAL CS-75 (1 gal.)	0 lb
1) JOINT WRAP - 0.065"x6"x50' CONSEAL CS212	0 lb
1) ADMIXTURE XYPEX C-500 NF RED	0 lb
1) 48" - MH INVERT CHANNEL w/XYPEX - FULL HEIGHT	1440 lb
1) CASTING - HOE MC-350 F/C Sanitary	305 lb
2) 48" - Conseal CS-102 1.00" (Double)	0 lb
1) PSX - 16Y NYLO	8 lb
1) PSX - 12M NYLO	8 lb
7) MH Step ML-10-TDS-NCR - 10"	0 lb
Structure Total:	8711 lb



Position	Elev	Angle	Ext. (cw)	Pipe	Hole	Connector	Up (L)	Ref
Rim	946.5'							
Reducer								
Invert 1	939.68'	0°	0"	10" PVC SDR35	16"	PSX 16Y NYLO	7.04"	P1
Invert 2	939.01'	180°	91.106"	8" DI	12"	PSX 12M NYLO	0"	P1
Invert 3								
Invert 4								
Invert 5								
Invert 6								
Invert 7								
Invert 8								



Cast (Int. Dim.) - Interior Dimensions



Submittal Drawing
 8/7/2025 9:48:20 AM

SUBMITTAL
 APPROVED BY: