

Job Name: 24-2754 - East Jessamine Middle School PS
 Job Location: Nicholasville, KY 40356
 Contractor: Weddle Enterprises, Inc

Plant: Beaver Dam, KY
 10/20/2025 8:46:11 AM

Tech: K. Cardwell
 PC: C. Goff



Structure ID: Sanitary MH 47+82

P3 MH048CN30X

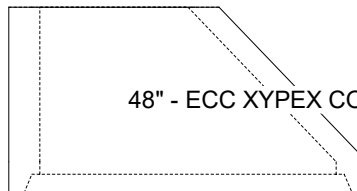
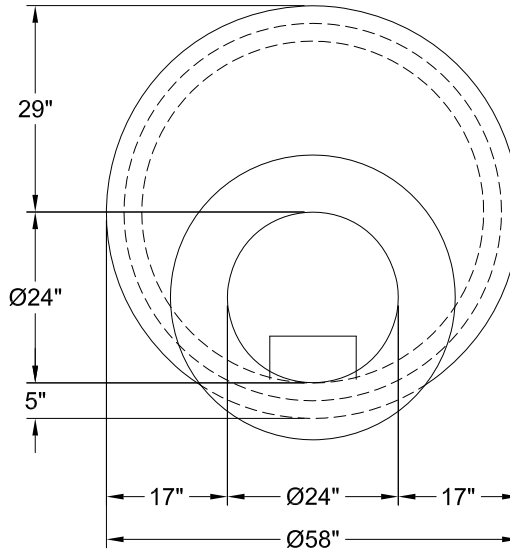
ECC XYPEX CONE w/ 24" HOLE F/G

- P4) 24" - CASTING HEIGHT - 7"
- P3) 48" - ECC XYPEX CONE w/ 24" HOLE F/G - 30"
- P2) 48" - MH RISER w/XYPEX T/G - 24"
- P1) 48" - MH BASE w/XYPEX T/n - 30"
- 1) JOINT WRAP PRIMER - CONSEAL CS-75 (1 gal.)
- 1) JOINT WRAP - 0.065"x6"x50' CONSEAL CS212
- 1) ADMIXTURE XYPEX C-500 NF RED
- 1) 48" - MH INVERT CHANNEL w/XYPEX - FULL HEIGHT
- 1) CASTING - HOE MC-350 F/C Sanitary
- 2) 48" - Conseal CS-102 1.00" (Double)
- 1) PSX - 16Y NYLO
- 1) PSX - 12M NYLO
- 7) MH Step ML-10-TDS-NCR - 10"

0 lb
 1981 lb
 1677 lb
 3292 lb
 0 lb
 0 lb
 0 lb
 1440 lb
 305 lb
 0 lb
 8 lb
 8 lb
 0 lb

Structure Total: 8711 lb

- Structure Notes:**
 STATION: 47+82
1. PER ASTM C-478 SPECS
 2. CONCRETE: 4,000 PSI AT 28 DAYS
 3. REINFORCEMENT: PER ASTM A615
 4. XYPEX ADMIXTURE REQUIRED
 5. INVERT CHANNEL REQUIRED
 6. STEPS AT 0 DEGREES
 7. HOE MC-350 FRAME & COVER "SANITARY" SUPPLIED BY ICAST



Coating (Int): Coating (Ext):	Seam Up: Flat Seam Dn: Groove	Wall Thickness: 5"	Height (Ext): 30"	Weight (Net): 1981 lb Volume (Net): 0.51cu.yd
----------------------------------	----------------------------------	--------------------	-------------------	--