

Job Name: 24-2754 - East Jessamine Middle School PS
 Job Location: Nicholasville, KY 40356
 Contractor: Weddle Enterprises, Inc

Plant: Beaver Dam, KY
 9/17/2025 8:53:14 AM

Tech: K. Cardwell
 PC: C. Goff



Structure ID: Sanitary MH 47+82

P1 MH048BA30X

MH BASE w/XYPEX T/n

P4) 24" - CASTING HEIGHT - 7"	0 lb
P3) 48" - ECC XYPEX CONE w/ 24" HOLE F/G - 30"	1981 lb
P2) 48" - MH RISER w/XYPEX T/G - 24"	1677 lb
P1) 48" - MH BASE w/XYPEX T/n - 30"	3292 lb
1) JOINT WRAP PRIMER - CONSEAL CS-75 (1 gal.)	0 lb
1) JOINT WRAP - 0.065"x6"x50' CONSEAL CS212	0 lb
1) ADMIXTURE XYPEX C-500 NF RED	0 lb
1) 48" - MH INVERT CHANNEL w/XYPEX - FULL HEIGHT	1440 lb
1) CASTING - HOE MC-350 F/C Sanitary	305 lb
2) 48" - Conseal CS-102 1.00" (Double)	0 lb
1) PSX - 16Y NYLO	8 lb
1) PSX - 12M NYLO	8 lb
7) MH Step ML-10-TDS-NCR - 10"	0 lb
Structure Total:	8711 lb

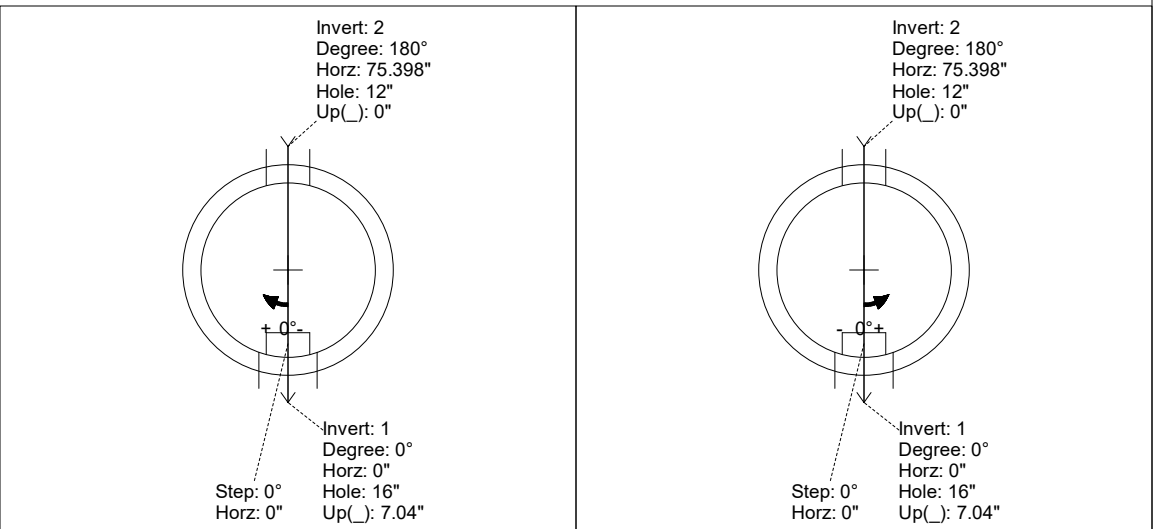
Structure Notes:
 STATION: 47+82
 1. PER ASTM C-478 SPECS
 2. CONCRETE: 4,000 PSI AT 28 DAYS
 3. REINFORCEMENT: PER ASTM A615
 4. XYPEX ADMIXTURE REQUIRED
 5. INVERT CHANNEL REQUIRED
 6. STEPS AT 0 DEGREES
 7. HOE MC-350 FRAME & COVER "SANITARY"
 SUPPLIED BY ICAST

Rim: 946.5' Rim to Invert: 7.49' Slack: 0.88" Sump: 2" Step Position: 0°

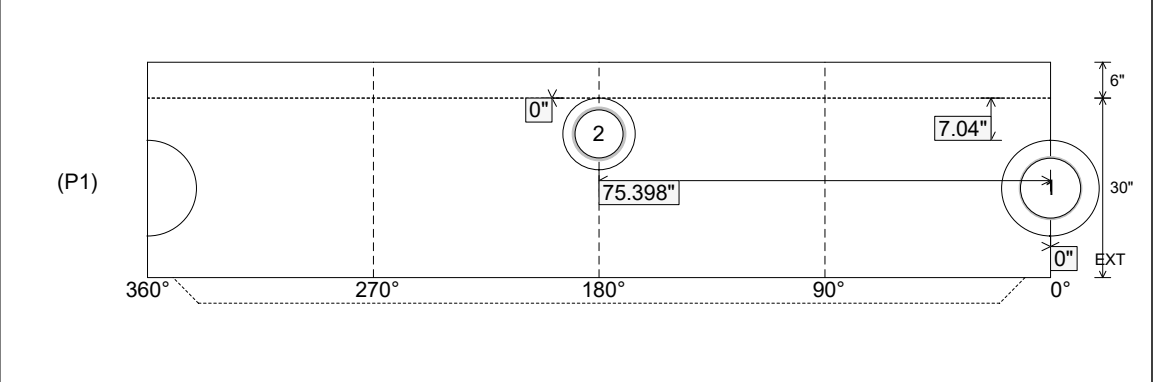
Position	Elev	Angle	Ext. (cw)	Pipe	Pipe OD	Connector	Hole	Horz Size	Up ()	Offset
Invert 1	939.68'	0°	0"	10" PVC SDR35	10.5"	PSX 16Y NYLO	16"	16.312"	7.04"	0"
Invert 2	939.01'	180°	91.106"	8" DI	9"	PSX 12M NYLO	12"	12.129"	0"	0"
Invert 3										
Invert 4										
Invert 5										
Invert 6										
Invert 7										
Invert 8										

RIGHT-SIDE UP VIEW (int. dimensions)

UPSIDE-DOWN VIEW (int. dimensions)



INSIDE WALL DIMENSIONS



Coating (Int): Coating (Ext):	Seam Up: Tongue Seam Dn: n/a	Wall Thickness: 5" Floor Height: 6"	Height (Int): 30" Height (Ext): 36"	Weight (Net): 3292 lb Volume (Net): 0.84cu.yd
----------------------------------	---------------------------------	--	--	--

Job Name: 24-2754 - East Jessamine Middle School PS
 Job Location: Nicholasville, KY 40356
 Contractor: Weddle Enterprises, Inc

Plant: Beaver Dam, KY
 9/17/2025 8:53:14 AM

Tech: K. Cardwell
 PC: C. Goff



Structure ID: Sanitary MH 47+82

P1 MH048INAFX

FULL HEIGHT INVERT XYPEX

P4) 24" - CASTING HEIGHT - 7"	0 lb
P3) 48" - ECC XYPEX CONE w/ 24" HOLE F/G - 30"	1981 lb
P2) 48" - MH RISER w/XYPEX T/G - 24"	1677 lb
P1) 48" - MH BASE w/XYPEX T/n - 30"	3292 lb
1) JOINT WRAP PRIMER - CONSEAL CS-75 (1 gal.)	0 lb
1) JOINT WRAP - 0.065"x6"x50' CONSEAL CS212	0 lb
1) ADMIXTURE XYPEX C-500 NF RED	0 lb
1) 48" - MH INVERT CHANNEL w/XYPEX - FULL HEIGHT	1440 lb
1) CASTING - HOE MC-350 F/C Sanitary	305 lb
2) 48" - Conseal CS-102 1.00" (Double)	0 lb
1) PSX - 16Y NYLO	8 lb
1) PSX - 12M NYLO	8 lb
7) MH Step ML-10-TDS-NCR - 10"	0 lb
Structure Total:	8711 lb

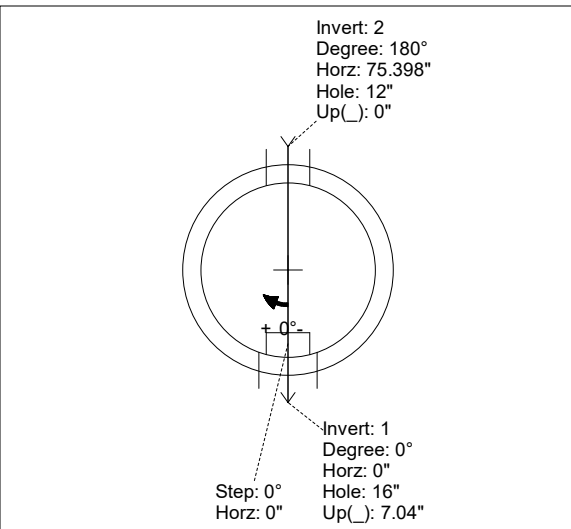
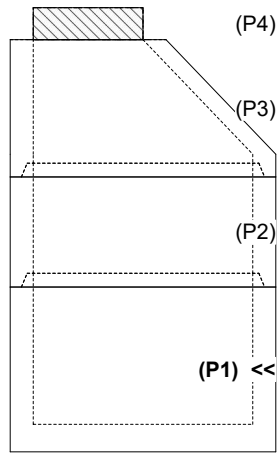
Structure Notes:
 STATION: 47+82
 1. PER ASTM C-478 SPECS
 2. CONCRETE: 4,000 PSI AT 28 DAYS
 3. REINFORCEMENT: PER ASTM A615
 4. XYPEX ADMIXTURE REQUIRED
 5. INVERT CHANNEL REQUIRED
 6. STEPS AT 0 DEGREES
 7. HOE MC-350 FRAME & COVER "SANITARY"
 SUPPLIED BY ICAST

Rim: 946.5' Rim to Invert: 7.49' Slack: 0.88" Sump: 2" Step Position: 0°

Position	Elev	Angle	Ext. (cw)	Pipe	Pipe OD	Connector	Hole	Horz Size	Up ()	Offset
Invert 1	939.68'	0°	0"	10" PVC SDR35	10.5"	PSX 16Y NYLO	16"	16.312"	7.04"	0"
Invert 2	939.01'	180°	91.106"	8" DI	9"	PSX 12M NYLO	12"	12.129"	0"	0"
Invert 3										
Invert 4										
Invert 5										
Invert 6										
Invert 7										
Invert 8										

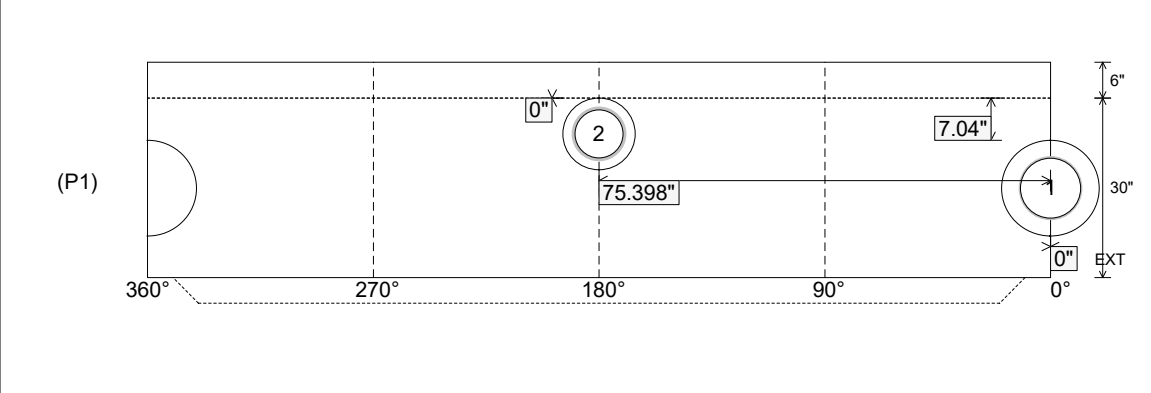
RIGHT-SIDE UP VIEW (int. dimensions)

UPSIDE-DOWN VIEW (int. dimensions)



INVERT CHANNEL
DRAWING

INSIDE WALL DIMENSIONS



Coating (Int): Coating (Ext):	Seam Up: Tongue Seam Dn: n/a	Wall Thickness: 5" Floor Height: 6"	Height (Int): 30" Height (Ext): 36"	Weight (Net): 3292 lb Volume (Net): 0.84cu.yd
----------------------------------	---------------------------------	--	--	--