

Job Name: 24-2716D 905 E Trinity
Job Location: Nashville, TN
Contractor: Hayes Pipe Supply

PC: A. Chambers
 TECH: J. Coppage
 Plant: Beaver Dam, KY



Structure ID: F3A
 Spec: Storm
 Type: STM.MH
 Size: 48"

Rim: 539.21'
 Invert: 531.43'
 Rim to Invert: 7.78'

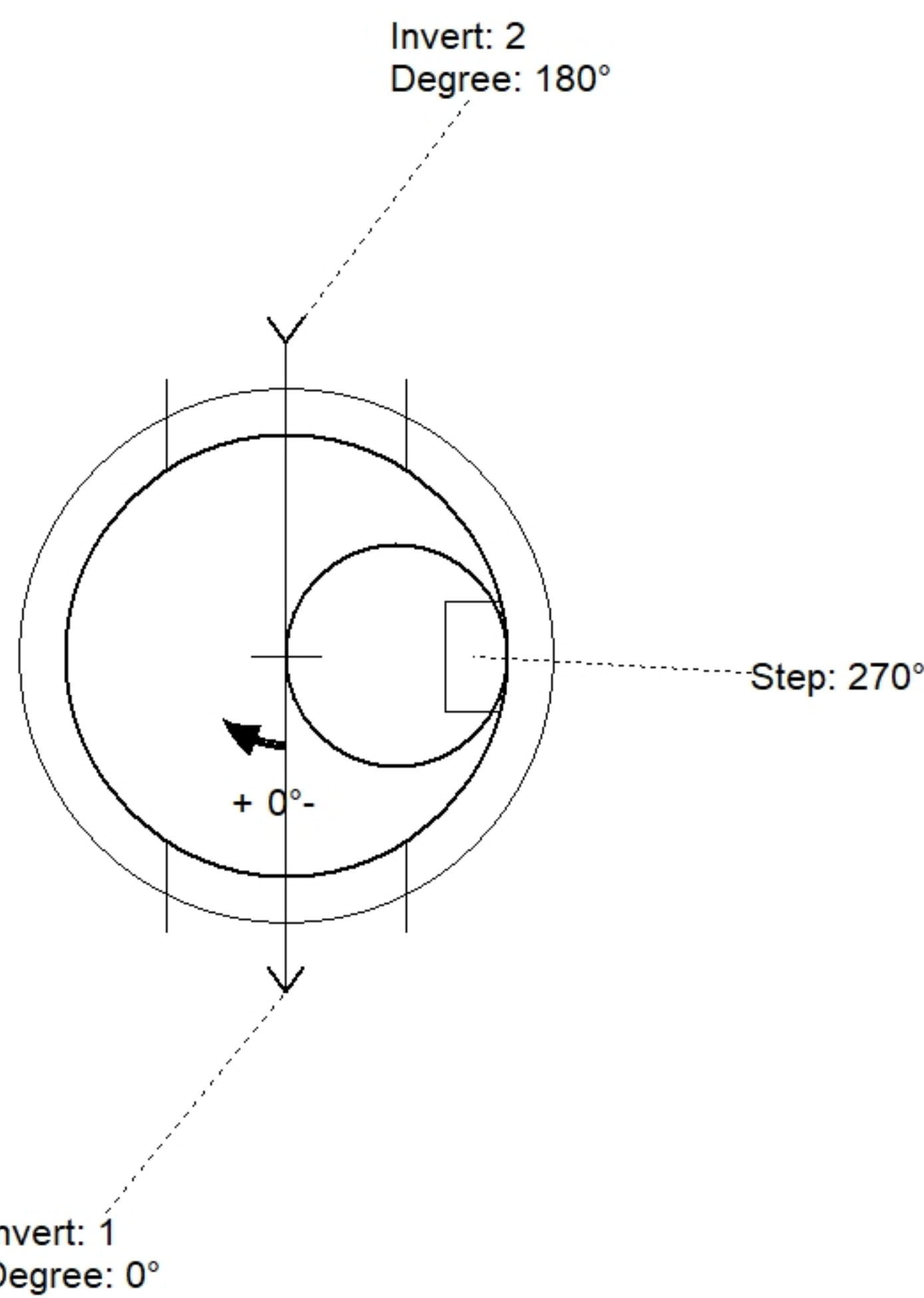
Sump: 2.5"
 Floor (Top): 531.222'
 Floor Height: 6"

Floor (Bot): 530.722'
 Overall Height: 8.417'
 Slack: 0.86"

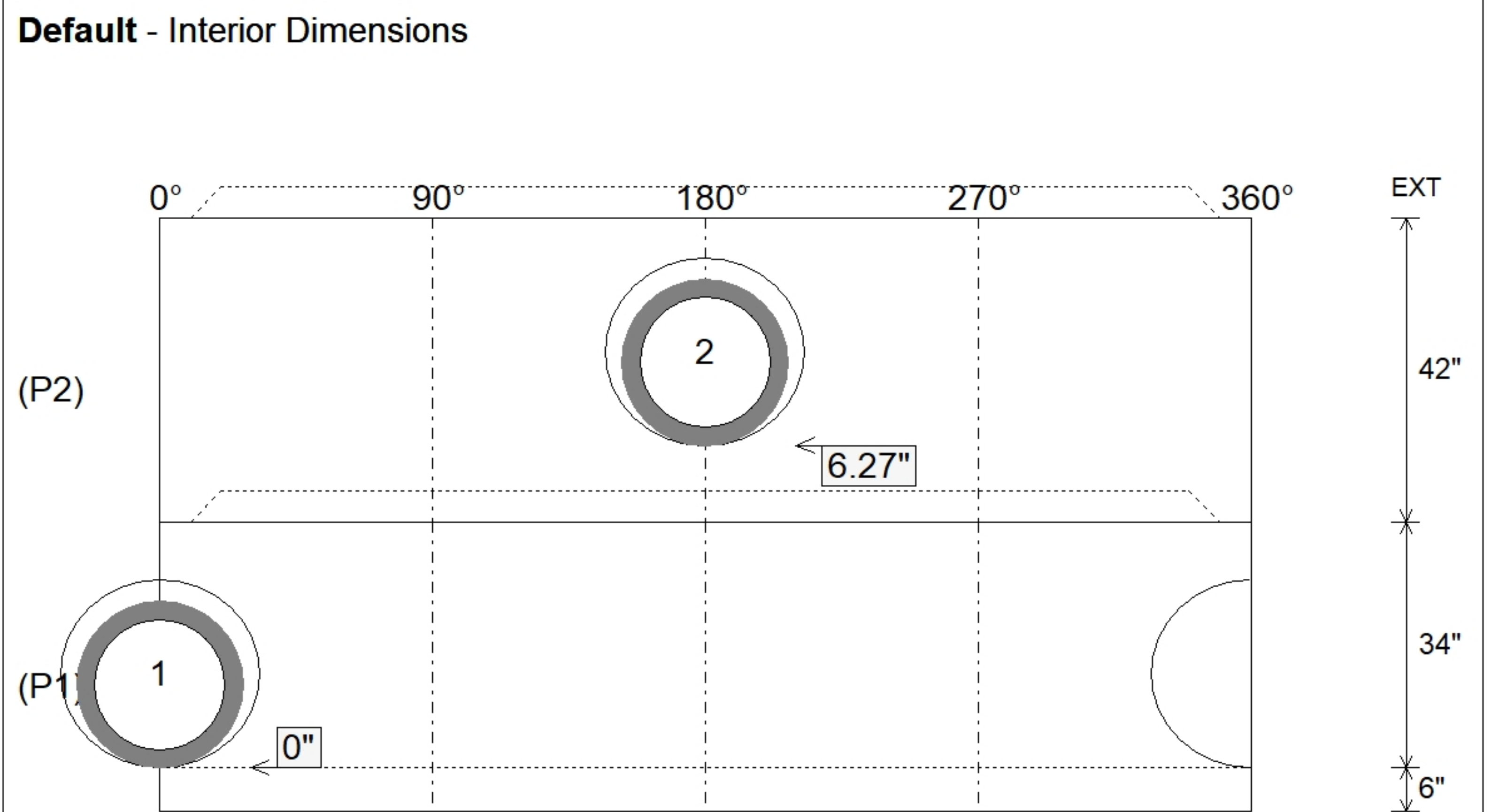
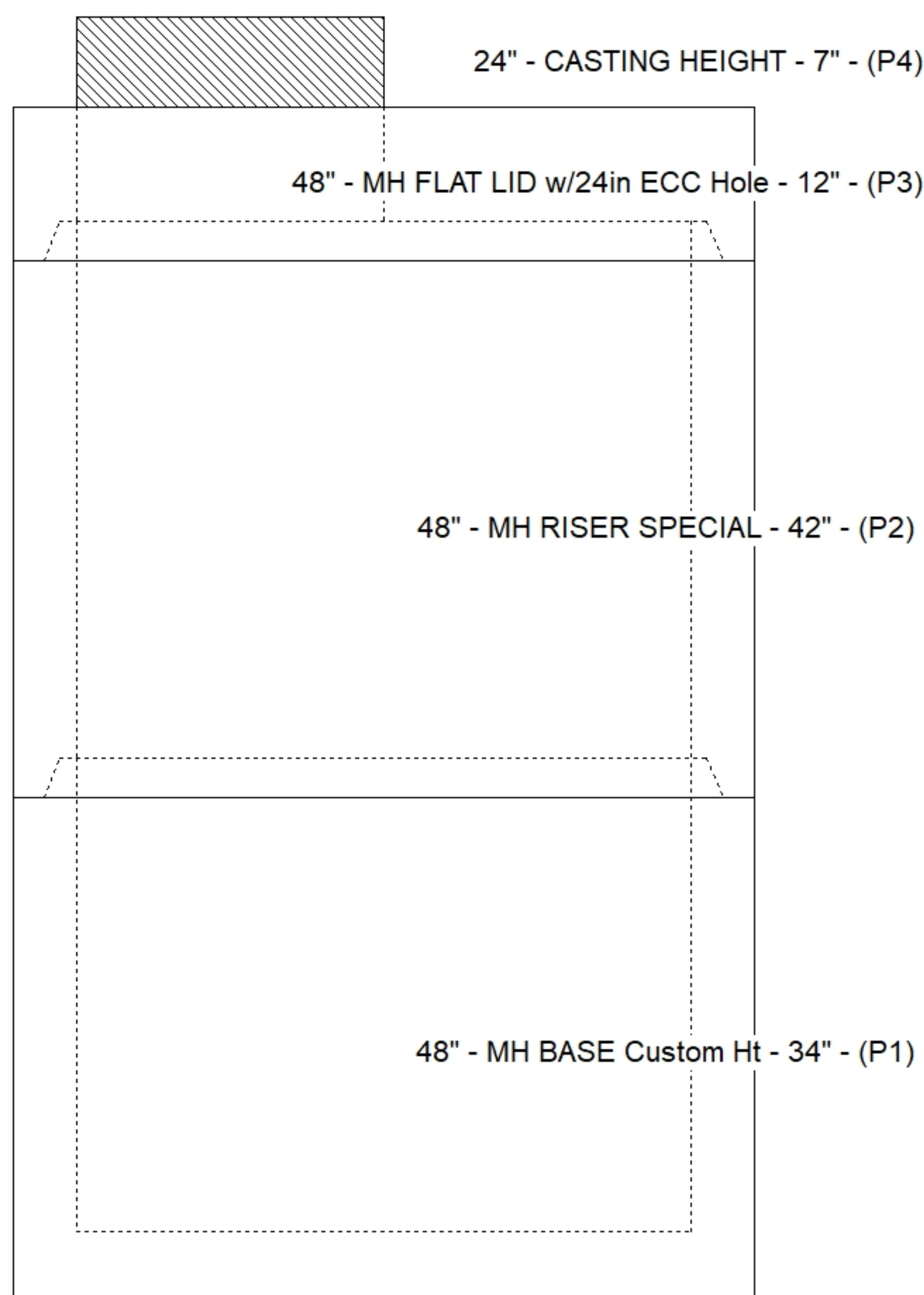
- Structure Notes:**
- PER ASTM C-478 SPECS
 - CONCRETE: 4,000 PSI AT 28 DAYS
 - REINFORCEMENT:
 - FLAT LID: #4 BAR @ 10" C.C. E.W. (GRADE 60)
 - BASE: PER ASTM A615
 - STEPS AT 270 DEGREES
 - CASTING: (JBS 1150 "STORM" SUPPLIED BY OTHERS)

STRUCTURE SUMMARY:

P4) 24" - CASTING HEIGHT - 7"	0 lb
P3) 48" - MH FLAT LID w/24in ECC Hole - 12"	1561 lb
P2) 48" - MH RISER SPECIAL - 42"	2701 lb
P1) 48" - MH BASE Custom Ht - 34"	3472 lb
2) 48" - Conseal CS-102 1.00"	0 lb
2) Hole - 26	0 lb
7) MH Step ML-10-TDS-NCR - 10"	0 lb
Structure Total:	7734 lb



Position	Elev	Angle	Pipe	Pipe OD	Hole	Connector	Up (")	Ref
Rim	539.21'							
Reducer								
Invert 1	531.43'	0°	18" RCP B WALL	23"	26"	Hole 26	0"	P1
Invert 2	535.14'	180°	18" RCP B WALL	23"	26"	Hole 26	6.27"	P2
Invert 3								
Invert 4								
Invert 5								
Invert 6								
Invert 7								
Invert 8								



Submittal Drawing
 1/27/2026 9:11:36 AM

SUBMITTAL
 APPROVED BY: