

Job Name: 24-2716 905 E Trinity
 Job Location: Nashville, TN
 Contractor: Hayes Pipe Supply

Plant: Beaver Dam, KY
 10/15/2025 10:34:58 AM

Tech: K. Cardwell
 PC: A. Chambers



Structure ID: A1 (San)

P1 MH048BA24CDARED

MH BASE w/DROP/ConBlock-CDA Red T/n

- P4) 24" - CASTING HEIGHT - 7" 0 lb
- P3) 48" - CON CONE w/24" HOLE, w/ConBlock-CDA Red F/G - 24" 1297 lb
- P2) 48" - MH RISER w/DROP/ConBlock-CDA Red T/G - 66" 7435 lb
- P1) 48" - MH BASE w/DROP/ConBlock-CDA Red T/n - 24" 4187 lb
- 1) JOINT WRAP PRIMER - CONSEAL CS-75 (1 gal.) 0 lb
- 1) ADMIXTURE CONBLOCK CDA RED 0 lb
- 1) 48" - MH INVERT CHANNEL w/ConBlock-CDA Red - FULL HEIGHT 1440 lb
- 1) JOINT WRAP - 0.065"x6"x50' CONSEAL CS212 0 lb
- 2) 48" - Conseal CS-102 1.00" (Double) 0 lb
- 1) PSX - 12M NYLO 8 lb
- 1) Drop Tee - 6" PVC 0 lb
- 1) PSX - 12-08 NYLO 8 lb
- 1) Drop Elbow - 6" PVC 0 lb
- 10) MH Step ML-10-TDS-NCR - 10" 0 lb

- Structure Notes:**
1. PER ASTM C-478 SPECS
 2. CONCRETE: 4,000 PSI AT 28 DAYS
 3. REINFORCEMENT: PER ASTM A615
 4. CONBLOCK CDA RED ADMIXTURE REQUIRED
 5. INVERT CHANNEL REQUIRED
 6. STEPS AT 195 DEGREES
 7. CASTING: JBS 1150 "SANITARY" SUPPLIED BY OTHERS
 8. EXTERIOR DROP ASSEMBLY FROM INVERT 2 TO INVERT 4 SUPPLIED BY ICAST
 9. ADD 6" SDR 35 DROP & ELBOW AT INVERT 4

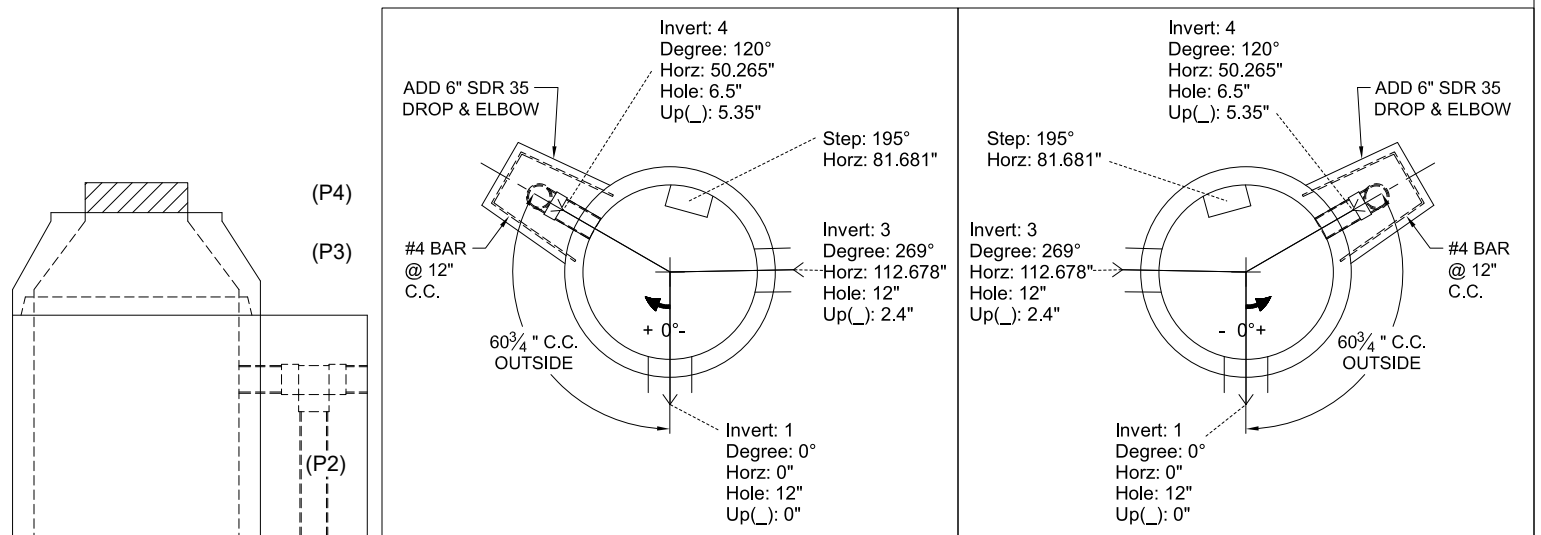
Structure Total: 14375 lb

Rim: 565.1' Rim to Invert: 10.02' Slack: 1.24" Sump: 2" Step Position: 195°

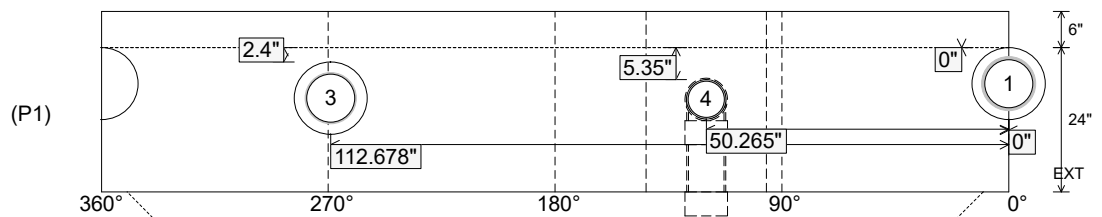
Position	Elev	Angle	Ext. (cw)	Pipe	Pipe OD	Connector	Hole	Horz Size	Up (↓)	Offset
Invert 1	555.08'	0°	0"	8" DI	9"	PSX 12M NYLO	12"	12.129"	0"	0"
Invert 2										
Invert 3	555.28'	269°	136.153"	8" PVC SDR35	8.5"	PSX 12-08 NYLO	12"	12.129"	2.4"	0"
Invert 4	555.38'	120°	60.737"	6" PVC SDR35	6.25"	Drop Elbow 6" PVC	6.5"	6.52"	5.35"	0"
Invert 5										
Invert 6										
Invert 7										
Invert 8										

RIGHT-SIDE UP VIEW (int. dimensions)

UPSIDE-DOWN VIEW (int. dimensions)



INSIDE WALL DIMENSIONS



Coating (Int): Coating (Ext):	Seam Up: Tongue Seam Dn: n/a	Wall Thickness: 5" Floor Height: 6"	Height (Int): 24" Height (Ext): 30"	Weight (Net): 4187 lb Volume (Net): 1.07cu.yd
----------------------------------	---------------------------------	--	--	--

Job Name: 24-2716 905 E Trinity
 Job Location: Nashville, TN
 Contractor: Hayes Pipe Supply

Plant: Beaver Dam, KY
 10/15/2025 10:34:58 AM

Tech: K. Cardwell
 PC: A. Chambers



Structure ID: A1 (San)

P1 MH048BA24CDARED

MH BASE w/DROP/ConBlock-CDA Red T/n

- P4) 24" - CASTING HEIGHT - 7" 0 lb
 - P3) 48" - CON CONE w/24" HOLE, w/ConBlock-CDA Red F/G - 24" 1297 lb
 - P2) 48" - MH RISER w/DROP/ConBlock-CDA Red T/G - 66" 7435 lb
 - P1) 48" - MH BASE w/DROP/ConBlock-CDA Red T/n - 24" 4187 lb
 - 1) JOINT WRAP PRIMER - CONSEAL CS-75 (1 gal.) 0 lb
 - 1) ADMIXTURE CONBLOCK CDA RED 0 lb
 - 1) 48" - MH INVERT CHANNEL w/ConBlock-CDA Red - FULL HEIGHT 1440 lb
 - 1) JOINT WRAP - 0.065"x6"x50' CONSEAL CS212 0 lb
 - 2) 48" - Conseal CS-102 1.00" (Double) 0 lb
 - 1) PSX - 12M NYLO 8 lb
 - 1) Drop Tee - 6" PVC 0 lb
 - 1) PSX - 12-08 NYLO 8 lb
 - 1) Drop Elbow - 6" PVC 0 lb
 - 10) MH Step ML-10-TDS-NCR - 10" 0 lb
- Structure Total: 14375 lb

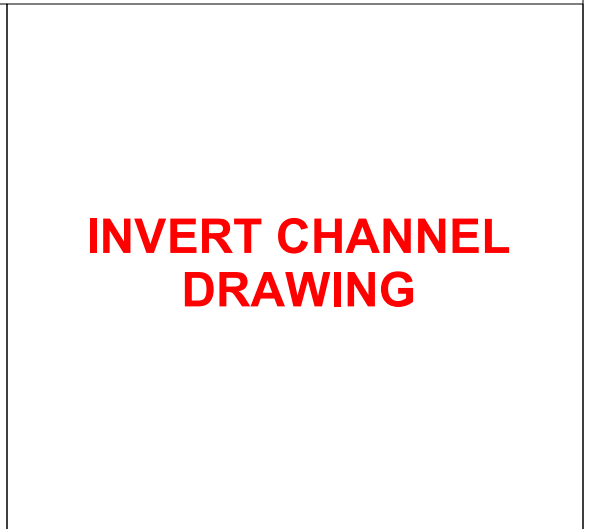
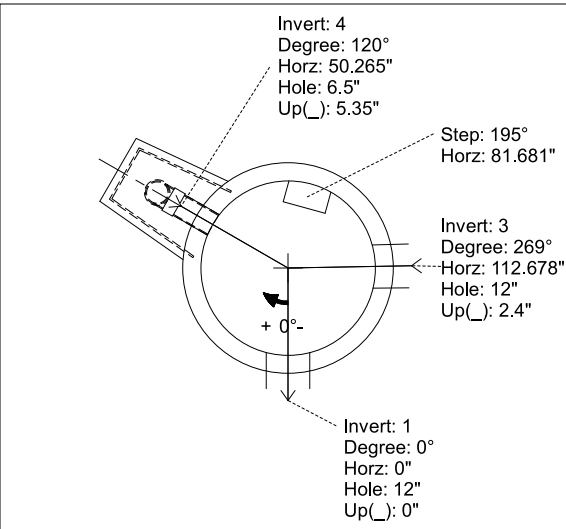
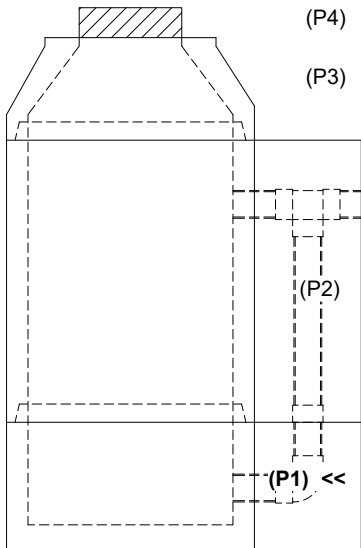
- Structure Notes:
1. PER ASTM C-478 SPECS
 2. CONCRETE: 4,000 PSI AT 28 DAYS
 3. REINFORCEMENT: PER ASTM A615
 4. CONBLOCK CDA RED ADMIXTURE REQUIRED
 5. INVERT CHANNEL REQUIRED
 6. STEPS AT 195 DEGREES
 7. CASTING: JBS 1150 "SANITARY" SUPPLIED BY OTHERS
 8. EXTERIOR DROP ASSEMBLY FROM INVERT 2 TO INVERT 4 SUPPLIED BY ICAST

Rim: 565.1' Rim to Invert: 10.02' Slack: 1.24" Sump: 2" Step Position: 195°

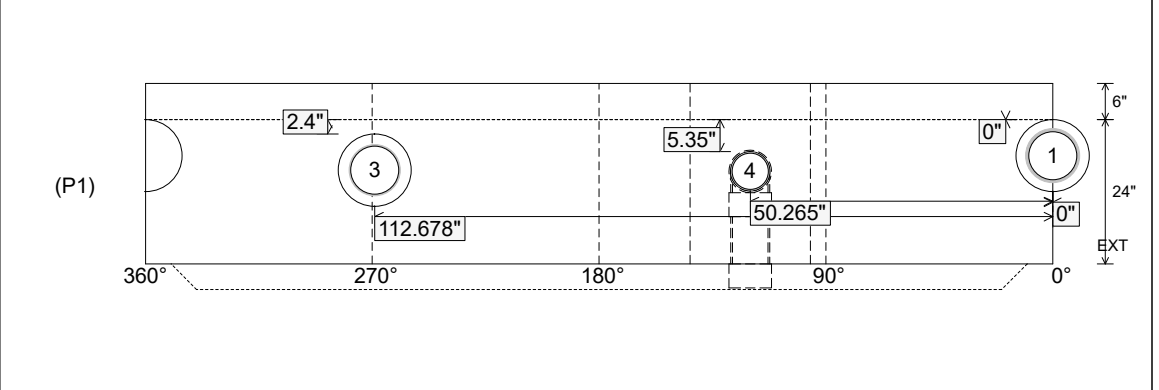
Position	Elev	Angle	Ext. (cw)	Pipe	Pipe OD	Connector	Hole	Horz Size	Up ()	Offset
Invert 1	555.08'	0°	0"	8" DI	9"	PSX 12M NYLO	12"	12.129"	0"	0"
Invert 2										
Invert 3	555.28'	269°	136.153"	8" PVC SDR35	8.5"	PSX 12-08 NYLO	12"	12.129"	2.4"	0"
Invert 4	555.38'	120°	60.737"	6" PVC SDR35	6.25"	Drop Elbow 6" PVC	6.5"	6.52"	5.35"	0"
Invert 5										
Invert 6										
Invert 7										
Invert 8										

RIGHT-SIDE UP VIEW (int. dimensions)

UPSIDE-DOWN VIEW (int. dimensions)



INSIDE WALL DIMENSIONS



Coating (Int): Coating (Ext):	Seam Up: Tongue Seam Dn: n/a	Wall Thickness: 5" Floor Height: 6"	Height (Int): 24" Height (Ext): 30"	Weight (Net): 4187 lb Volume (Net): 1.07cu.yd
----------------------------------	---------------------------------	--	--	--