

Job Name: 24-2716 905 E Trinity
 Job Location: Nashville, TN
 Contractor: Hayes Pipe Supply

Plant: Beaver Dam, KY
 10/14/2025 9:36:07 AM

Tech: K. Cardwell
 PC: A. Chambers



Structure ID: F5

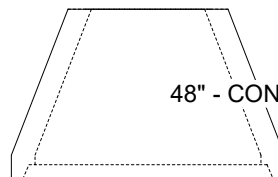
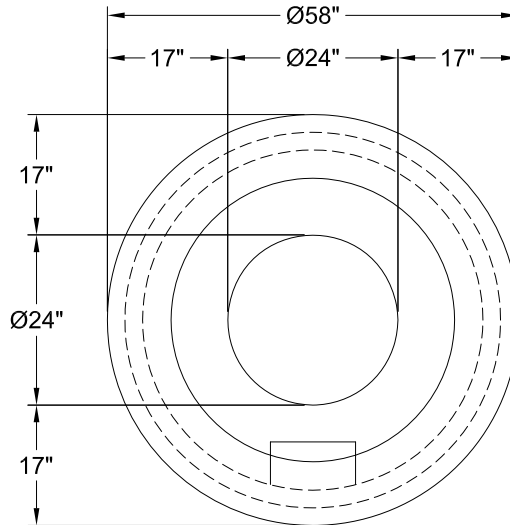
P2 MH048CCN36

CON CONE w/24" HOLE F/G

- P4) 24" - CASTING HEIGHT - 7"
- P3) 24" - GRADE RING F/F - 3"
- P2) 48" - CON CONE w/24" HOLE F/G - 36"
- P1) 48" - MH BASE T/n - 60"
- 1) 48" - Conseal CS-102 1.00"
- 1) Hole - 22
- 1) Hole - 16
- 8) MH Step ML-10-TDS-NCR - 10"

0 lb
 202 lb
 2252 lb
 5271 lb
 0 lb
 0 lb
 0 lb
 0 lb
 0 lb
 Structure Total: 7726 lb

Structure Notes:
 1. PER ASTM C-478 SPECS
 2. CONCRETE: 4,000 PSI AT 28 DAYS
 3. REINFORCEMENT: PER ASTM A615
 4. STEPS AT 270 DEGREES
 5. CASTING: JBS 1150 "STORM" SUPPLIED BY OTHERS



48" - CON CONE w/24" HOLE F/G - 36" - (P2)

Coating (Int):
 Coating (Ext):

Seam Up: Flat
 Seam Dn: Groove

Wall Thickness: 5"

Height (Ext): 36"

Weight (Net): 2252 lb
 Volume (Net): 0.57cu.yd