

Structure ID: E1

P1 BX3030-06VH

BOX BASE 6inW, 6inF, Variable Ht F/n

- P2) 30" x 30" - CASTING HEIGHT - 6"
- P1) 30" x 30" - BOX BASE 6inW, 6inF, Variable Ht F/n - 37"
- 1) 30" x 30" - Conseal CS-102 1.00"
- 1) Hole - 32
- 1) Hole - 20

0 lb
 3109 lb
 0 lb
 0 lb
 0 lb

 Structure Total: 3109 lb

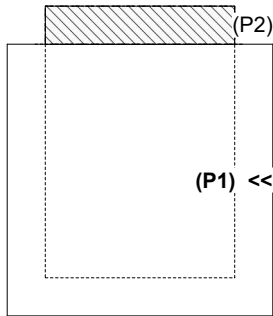
- Structure Notes:
1. PER ASTM C-913 SPECS
 2. CONCRETE: 4,000 PSI AT 28 DAYS
 3. REINFORCEMENT: #4 BAR @ 12" C.C. E.W. (GRADE 60) - 2" MIN. REBAR CLEARANCE (TYP)
 4. CASTING: JBS 4310 SUPPLIED BY OTHERS

Rim: 534.3' Rim to Invert: 3.37' Slack: 0.44" Sump: 3" Step Position:

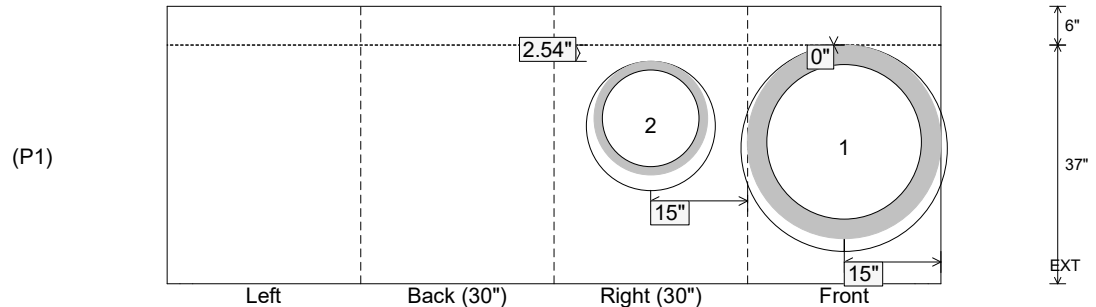
Position	Elev	Angle	Ext. (cw)	Pipe	Pipe OD	Connector	Hole	Horz Size	Up ()	Offset
Invert 1	530.93'	0°	21"	24" RCP B WALL	30"	Hole 32	32"	31"	0"	0"
Invert 2	531'	90°	21"	15" HDPE	17.6"	Hole 20	20"	20"	2.54"	0"
Invert 3										
Invert 4										
Invert 5										
Invert 6										
Invert 7										
Invert 8										

RIGHT-SIDE UP VIEW (int. dimensions)

UPSIDE-DOWN VIEW (int. dimensions)



INSIDE WALL DIMENSIONS



Coating (Int): Coating (Ext):	Seam Up: Flat Seam Dn: n/a	Wall Thickness: 6" Floor Height: 6"	Height (Int): 37" Height (Ext): 43"	Weight (Net): 3109 lb Volume (Net): 0.79cu.yd
----------------------------------	-------------------------------	--	--	--