

Job Name: 24-2716 905 E Trinity
 Job Location: Nashville, TN
 Contractor: Hayes Pipe Supply

Plant: Beaver Dam, KY

Tech: K. Cardwell

10/14/2025 9:34:59 AM

PC: A. Chambers



Structure ID: C1

P1 MH048BA60

MH BASE T/n

- P3) 24" - CASTING HEIGHT - 7"
- P2) 48" - CON CONE w/24" HOLE F/G - 36"
- P1) 48" - MH BASE T/n - 60"
- 1) 48" - Conseal CS-102 1.00"
- 1) Hole - 34
- 1) Hole - 20
- 8) MH Step ML-10-TDS-NCR - 10"

0 lb
 2252 lb
 4971 lb
 0 lb
 0 lb
 0 lb
 0 lb

 7224 lb

Structure Total:

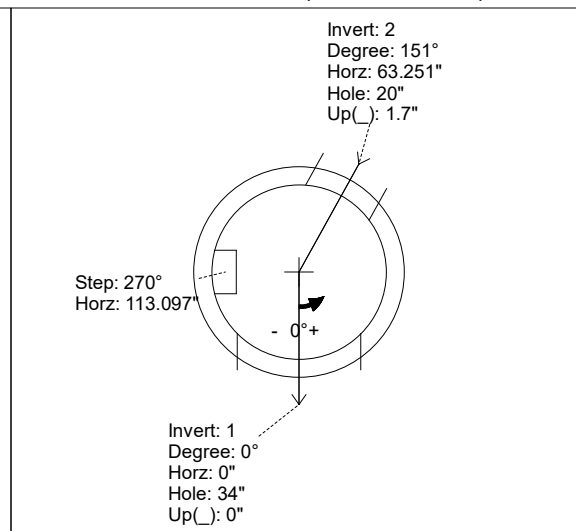
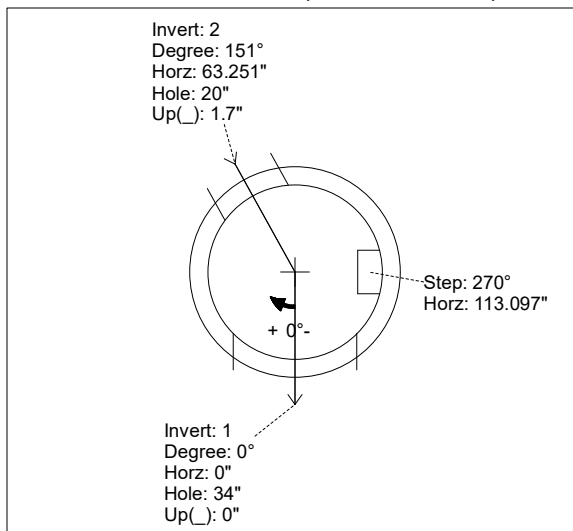
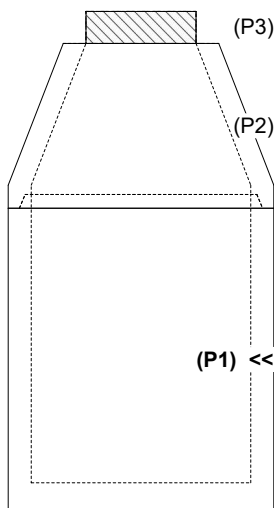
- Structure Notes:**
1. PER ASTM C-478 SPECS
 2. CONCRETE: 4,000 PSI AT 28 DAYS
 3. REINFORCEMENT: PER ASTM A615
 4. STEPS AT 270 DEGREES
 5. CASTING: JBS 1150 "STORM" SUPPLIED BY OTHERS

Rim: 559.46' Rim to Invert: 8.38' Slack: 0.56" Sump: 3" Step Position: 270

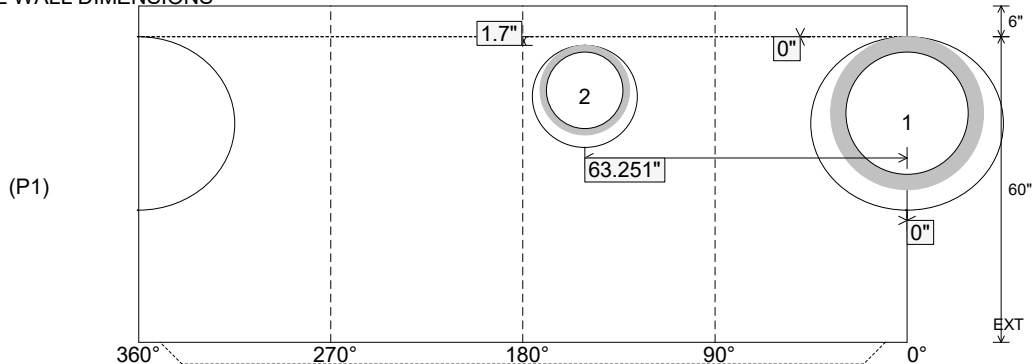
Position	Elev	Angle	Ext. (cw)	Pipe	Pipe OD	Connector	Hole	Horz Size	Up ()	Offset
Invert 1	551.08'	0°	0"	24" RCP B WALL	30"	Hole 34	34"	37.782"	0"	0"
Invert 2	551.08'	151°	76.428"	15" HDPE	17.6"	Hole 20	20"	20.629"	1.7"	0"
Invert 3										
Invert 4										
Invert 5										
Invert 6										
Invert 7										
Invert 8										

RIGHT-SIDE UP VIEW (int. dimensions)

UPSIDE-DOWN VIEW (int. dimensions)



INSIDE WALL DIMENSIONS



Coating (Int):
 Coating (Ext):

Seam Up: Tongue
 Seam Dn: n/a

Wall Thickness: 5"
 Floor Height: 6"

Height (Int): 60"
 Height (Ext): 66"

Weight (Net): 4971 lb
 Volume (Net): 1.27cu.yd