

Job Name: 24-2716 905 E Trinity  
 Job Location: Nashville, TN  
 Contractor: Hayes Pipe Supply

Plant: Beaver Dam, KY  
 10/14/2025 9:36:02 AM

Tech: K. Cardwell  
 PC: A. Chambers



**Structure ID: B3**

**P2 MH048CCN36**

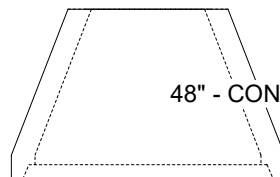
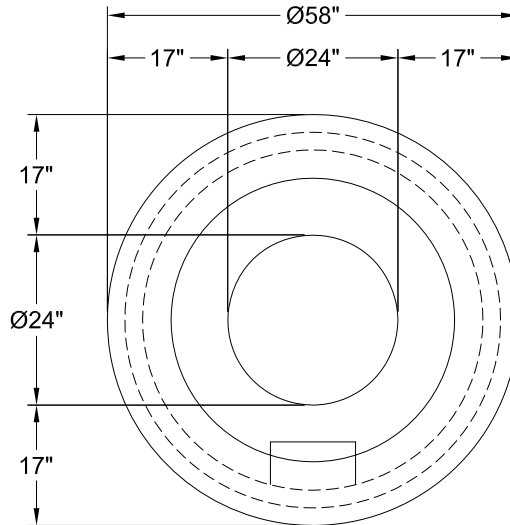
**CON CONE w/24" HOLE F/G**

- P4) 24" - CASTING HEIGHT - 7"
- P3) 24" - GRADE RING F/F - 4"
- P2) 48" - CON CONE w/24" HOLE F/G - 36"
- P1) 48" - MH BASE T/n - 54"
- 1) 48" - Conseal CS-102 1.00"
- 2) Hole - 26
- 7) MH Step ML-10-TDS-NCR - 10"

0 lb  
 270 lb  
 2252 lb  
 4636 lb  
 0 lb  
 0 lb  
 0 lb  
 -----  
 0 lb

Structure Total: 7158 lb

- Structure Notes:
1. PER ASTM C-478 SPECS
  2. CONCRETE: 4,000 PSI AT 28 DAYS
  3. REINFORCEMENT: PER ASTM A615
  4. STEPS AT 270 DEGREES
  5. CASTING: JBS 1150 "STORM" SUPPLIED BY OTHERS



48" - CON CONE w/24" HOLE F/G - 36" - (P2)

Coating (Int):  
 Coating (Ext):

Seam Up: Flat  
 Seam Dn: Groove

Wall Thickness: 5"

Height (Ext): 36"

Weight (Net): 2252 lb  
 Volume (Net): 0.57cu.yd