

Job Name: 24-2716 905 E Trinity
 Job Location: Nashville, TN
 Contractor: Hayes Pipe Supply

Plant: Beaver Dam, KY
 10/14/2025 9:35:59 AM

Tech: K. Cardwell
 PC: A. Chambers



Structure ID: A5

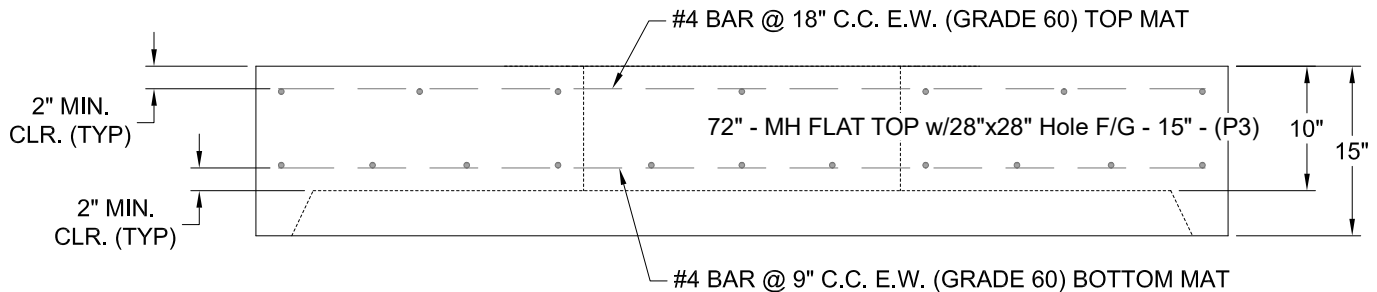
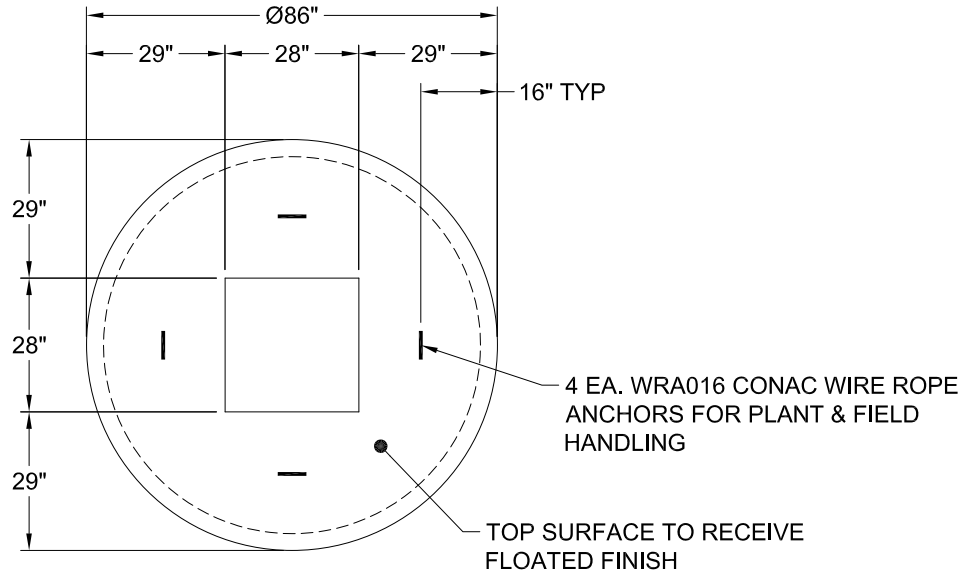
P3 MH072LD15-28SQ

MH FLAT TOP w/28"x28" Hole F/G

- P4) 28" x 28" - CASTING HEIGHT - 7.50"
- P3) 72" - MH FLAT TOP w/28"x28" Hole F/G - 15"
- P2) 72" - MH RISER T/G - 30"
- P1) 72" - MH BASE T/n - 60"
- 2) 72" - Conseal CS-102 1.00"
- 1) 28" x 28" - Conseal CS-102 1.00"
- 1) Hole - 48
- 1) Hole - 58 x 42
- 8) MH Step ML-10-TDS-NCR - 10"

0 lb
 6325 lb
 4373 lb
 10231 lb
 0 lb
 0 lb
 0 lb
 0 lb
 0 lb
 0 lb
 Structure Total: 20929 lb

- Structure Notes:**
1. PER ASTM C-478 SPECS
 2. CONCRETE: 4,000 PSI AT 28 DAYS
 3. REINFORCEMENT - 2" MIN. REBAR CLEARANCE (TYP):
 - TOP MAT: #4 BAR @ 18" C.C. E.W. (GRADE 60)
 - BOTTOM MAT: #4 BAR @ 9" C.C. E.W. (GRADE 60)
 4. STEPS AT 90 DEGREES
 5. CASTING: JBS 3300-V SUPPLIED BY OTHERS
 6. LIFTERS: 4 EA. WRA016 CONAC WIRE ROPE ANCHORS FOR PLANT & FIELD HANDLING



Coating (Int):
 Coating (Ext):

Seam Up: Flat
 Seam Dn: Groove

Wall Thickness: 7"

Height (Ext): 15"

Weight (Net): 6325 lb
 Volume (Net): 1.62cu.yd