

Job Name: 24-2716 905 E Trinity
Job Location: Nashville, TN
Contractor: Hayes Pipe Supply

PC: A. Chambers
 TECH: K. Cardwell
 Plant: Beaver Dam, KY



Structure ID: **A4**

Spec: Storm
 Type: BX 8inW, 8inF
 Size: 60" x 60"

Rim: 534.22'
 Invert: 529.72'
 Rim to Invert: 4.5'

Sump: 4.5"
 Floor (Top): 529.345'
 Floor Height: 8"

Floor (Bot): 528.678'
 Overall Height: 5.542'
 Slack: 0"

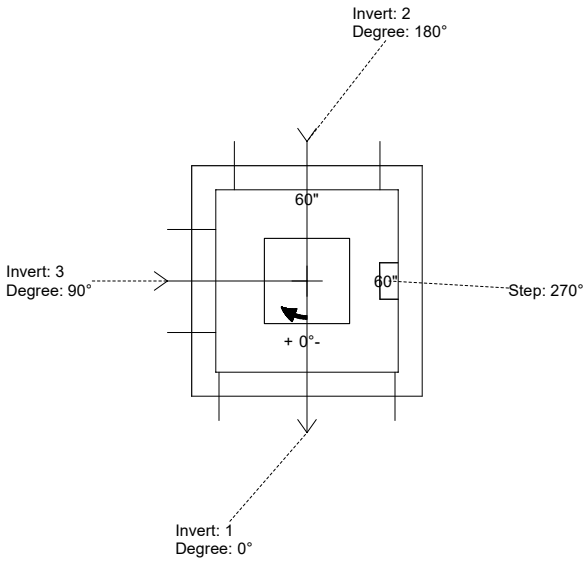
Structure Notes:

1. PER ASTM C-913 SPECS
2. CONCRETE: 4,000 PSI AT 28 DAYS
3. REINFORCEMENT:
 - FLAT LID: #4 BAR @ 6" C.C. E.W. (GRADE 60)
 - BASE: #5 BAR @ 12" C.C. E.W. (GRADE 60)
4. CASTING: JBS 3300-V SUPPLIED BY OTHERS

STRUCTURE SUMMARY:

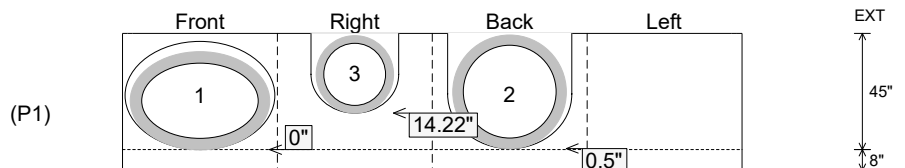
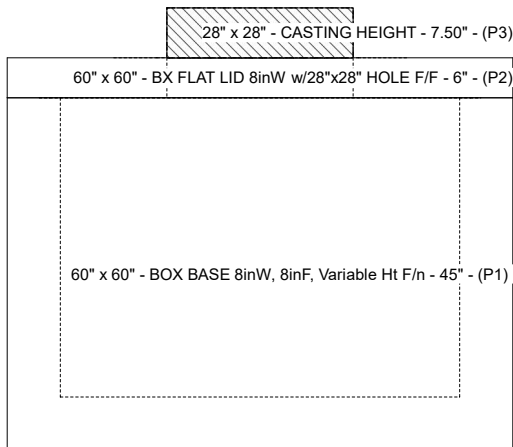
P3) 28" x 28" - CASTING HEIGHT - 7.50"	0 lb
P2) 60" x 60" - BX FLAT LID 8inW w/28"x28" HOLE F/F - 6"	2513 lb
P1) 60" x 60" - BOX BASE 8inW, 8inF, Variable Ht F/n - 45"	8892 lb
1) 60" x 60" - Conseal CS-102 1.00"	0 lb
1) 28" x 28" - Conseal CS-102 1.00"	0 lb
1) Hole - 58 x 42	0 lb
1) DOGHOUSE INVRTD - 48"x42"	0 lb
1) DOGHOUSE INVRTD - 34"x30"	0 lb
4) MH Step ML-10-TDS-NCR - 10"	0 lb

Structure Total:	11405 lb



Position	Elev	Angle	Pipe	Pipe OD	Hole	Connector	Up (L)	Ref
Rim	534.22'							
Reducer								
Invert 1	529.72'	0°	45" x 29" ELL RCP	54" x 38"	58" x 42"	Hole 58 x 42	0"	P1
Invert 2	529.72'	180°	36" RCP B WALL	44"	48" x 42"	DOGHOUSE INVRTD 48"x42"	0.5"	P1
Invert 3	530.78'	90°	24" RCP B WALL	30"	34" x 30"	DOGHOUSE INVRTD 34"x30"	14.22"	P1
Invert 4								
Invert 5								
Invert 6								
Invert 7								
Invert 8								

Cast (Int. Dim.) - Interior Dimensions



Submittal Drawing
 10/13/2025 3:52:42 PM

SUBMITTAL
 APPROVED BY: