

Job Name: 24-2716 905 E Trinity
Job Location: Nashville, TN
Contractor: Hayes Pipe Supply

PC: A. Chambers
 TECH: K. Cardwell
 Plant: Beaver Dam, KY



Structure ID: **A2 (San)**

Spec: Sanitary
 Type: SAN.MH w/ConBlock-CDA Red
 Size: 48"

Rim: 565.95'
 Invert: 555.93'
 Rim to Invert: 10.02'

Sump: 2"
 Floor (Top): 555.763'
 Floor Height: 6"

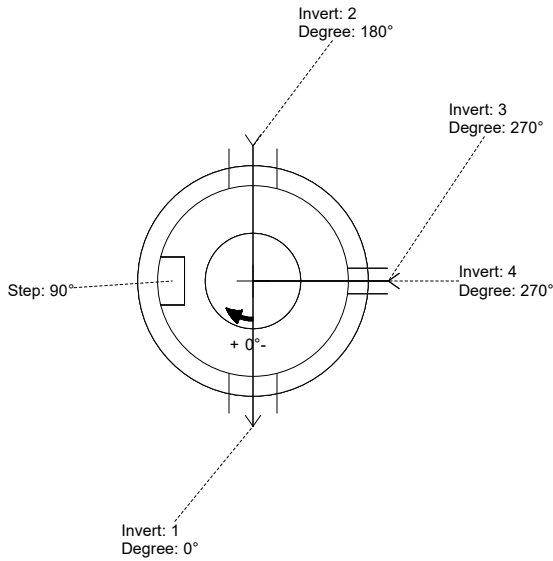
Floor (Bot): 555.263'
 Overall Height: 10.583'
 Slack: 1.24"

Structure Notes:

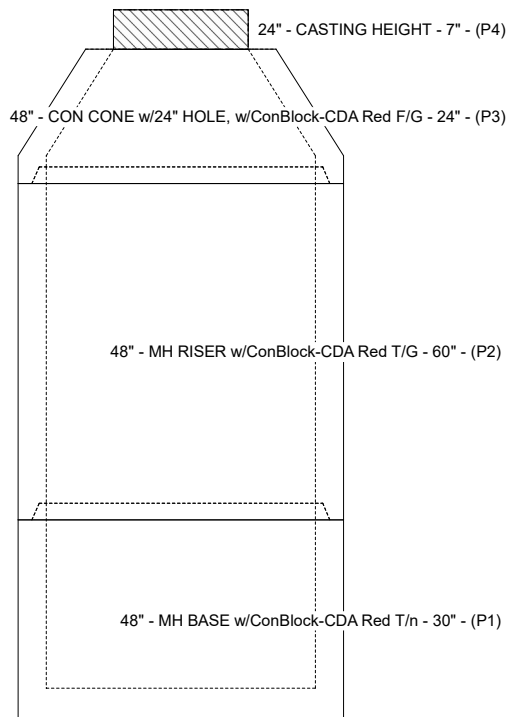
1. PER ASTM C-478 SPECS
2. CONCRETE: 4,000 PSI AT 28 DAYS
3. REINFORCEMENT: PER ASTM A615
4. CONBLOCK CDA RED ADMIXTURE REQUIRED
5. INVERT CHANNEL REQUIRED
6. STEPS AT 90 DEGREES
7. CASTING: JBS 1150 "SANITARY" SUPPLIED BY OTHERS
8. EXTERIOR DROP ASSEMBLY FROM INVERT 3 TO INVERT 4 SUPPLIED BY ICAST

STRUCTURE SUMMARY:

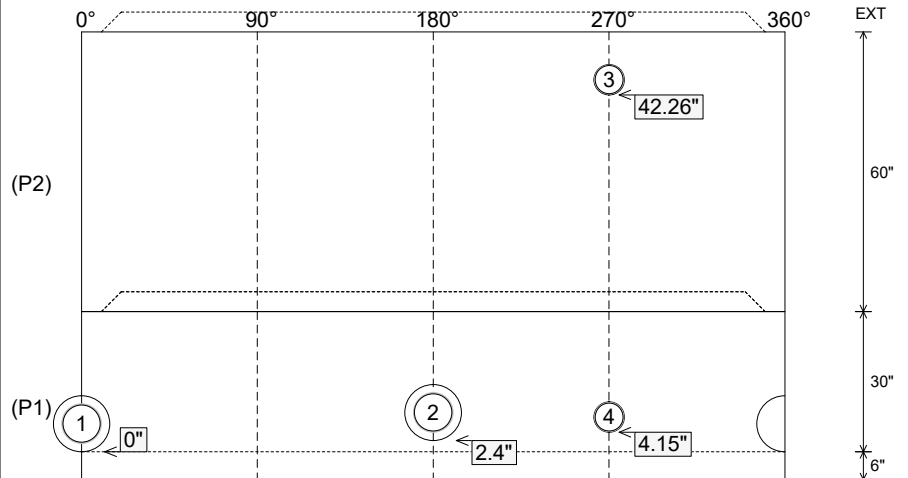
P4) 24" - CASTING HEIGHT - 7"	0 lb
P3) 48" - CON CONE w/24" HOLE, w/ConBlock-CDA Red F/G - 24"	1297 lb
P2) 48" - MH RISER w/ConBlock-CDA Red T/G - 60"	4178 lb
P1) 48" - MH BASE w/ConBlock-CDA Red T/n - 30"	3316 lb
1) JOINT WRAP - 0.065"x6"x50' CONSEAL CS212	0 lb
1) JOINT WRAP PRIMER - CONSEAL CS-75 (1 gal.)	0 lb
1) ADMIXTURE CONBLOCK CDA RED	0 lb
1) 48" - MH INVERT CHANNEL w/ConBlock-CDA Red - FULL HEIGHT	1440 lb
2) 48" - Conseal CS-102 1.00" (Double)	0 lb
2) PSX - 12-08 NYLO	16 lb
1) Drop Tee - 6" PVC	0 lb
1) Drop Elbow - 6" PVC	0 lb
9) MH Step ML-10-TDS-NCR - 10"	0 lb
Structure Total:	10247 lb



Position	Elev	Angle	Pipe	Pipe OD	Hole	Connector	Up (")	Ref
Rim	565.95'							
Reducer								
Invert 1	555.93'	0°	8" PVC SDR35	8.5"	12"	PSX 12-08 NYLO	0"	P1
Invert 2	556.13'	180°	8" PVC SDR35	8.5"	12"	PSX 12-08 NYLO	2.4"	P1
Invert 3	562.16'	270°	6" PVC SDR35	6.25"	6.5"	Drop Tee 6" PVC	42.26"	P2
Invert 4	556.13'	270°	6" PVC SDR35	6.25"	6.5"	Drop Elbow 6" PVC	4.15"	P1
Invert 5								
Invert 6								
Invert 7								
Invert 8								



Cast (Int. Dim.) - Interior Dimensions



Submittal Drawing
 10/13/2025 3:52:57 PM

SUBMITTAL
 APPROVED BY: