

Job Name: 24-2716 905 E Trinity
 Job Location: Nashville, TN
 Contractor: Hayes Pipe Supply

Plant: Beaver Dam, KY
 10/15/2025 10:35:26 AM

Tech: K. Cardwell
 PC: A. Chambers



Structure ID: A2 (San)

P2 MH048RS60SCDARED

MH RISER w/DROP/ConBlock-CDA Red T/G

- P4) 24" - CASTING HEIGHT - 7"
- P3) 48" - CON CONE w/24" HOLE, w/ConBlock-CDA Red F/G - 24"
- P2) 48" - MH RISER w/DROP/ConBlock-CDA Red T/G - 60"
- P1) 48" - MH BASE w/DROP/ConBlock-CDA Red T/n - 30"
- 1) JOINT WRAP - 0.065"x6"x50' CONSEAL CS212
- 1) JOINT WRAP PRIMER - CONSEAL CS-75 (1 gal.)
- 1) ADMIXTURE CONBLOCK CDA RED
- 1) 48" - MH INVERT CHANNEL w/ConBlock-CDA Red - FULL HEIGHT
- 2) 48" - Conseal CS-102 1.00" (Double)
- 2) PSX - 12-08 NYLO
- 1) Drop Tee - 6" PVC
- 1) Drop Elbow - 6" PVC
- 9) MH Step ML-10-TDS-NCR - 10"

0 lb
 1297 lb
 6758 lb
 4864 lb
 0 lb
 0 lb
 0 lb
 1440 lb
 0 lb
 16 lb
 0 lb
 0 lb
 0 lb

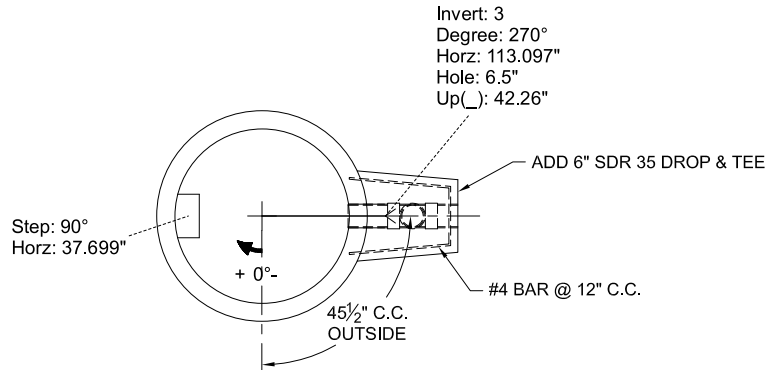
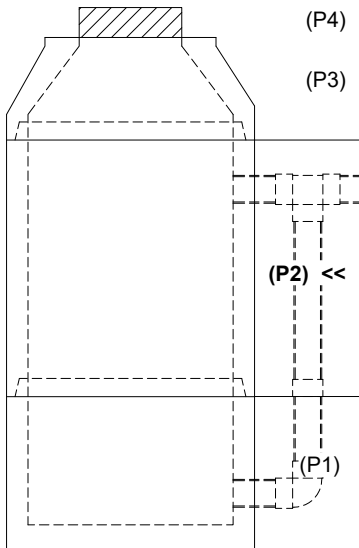
 Structure Total: 14375 lb

- Structure Notes:**
1. PER ASTM C-478 SPECS
 2. CONCRETE: 4,000 PSI AT 28 DAYS
 3. REINFORCEMENT: PER ASTM A615
 4. CONBLOCK CDA RED ADMIXTURE REQUIRED
 5. INVERT CHANNEL REQUIRED
 6. STEPS AT 90 DEGREES
 7. CASTING: JBS 1150 "SANITARY" SUPPLIED BY OTHERS
 8. EXTERIOR DROP ASSEMBLY FROM INVERT 3 TO INVERT 4 SUPPLIED BY ICAST
 9. ADD 6" SDR 35 DROP & TEE AT INVERT 3

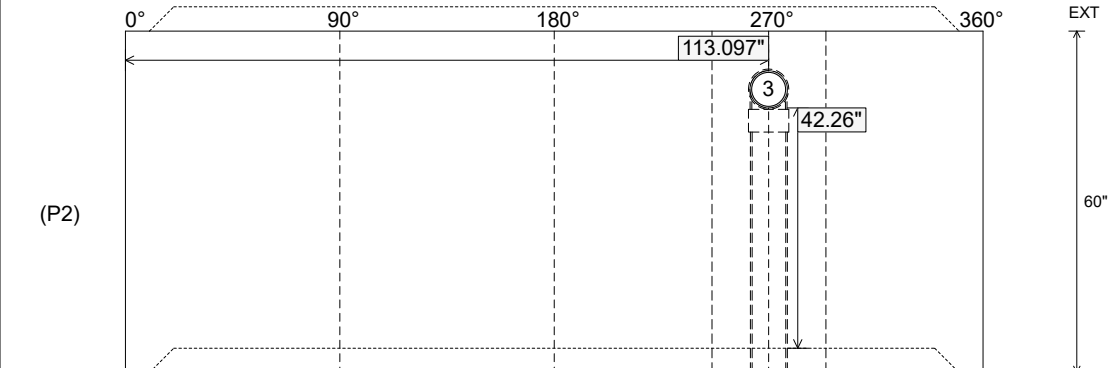
Rim: 565.95' Rim to Invert: 10.02' Slack: 1.24" Sump: 2" Step Position: 90°

Position	Elev	Angle	Ext. (cw)	Pipe	Pipe OD	Connector	Hole	Horz Size	Up (↓)	Offset
Invert 1										
Invert 2										
Invert 3	562.16'	270°	136.659"	6" PVC SDR35	6.25"	Drop Tee 6" PVC	6.5"	6.52"	42.26"	0"
Invert 4										
Invert 5										
Invert 6										
Invert 7										
Invert 8										

RIGHT-SIDE UP VIEW (int. dimensions)



INSIDE WALL DIMENSIONS



Coating (Int): Coating (Ext):	Seam Up: Tongue Seam Dn: Groove	Wall Thickness: 5" Floor Height: 0"	Height (Int): 60" Height (Ext): 60"	Weight (Net): 6758 lb Volume (Net): 1.73cu.yd
----------------------------------	------------------------------------	--	--	--