

Job Name: 24-2716 905 E Trinity  
 Job Location: Nashville, TN  
 Contractor: Hayes Pipe Supply

Plant: Beaver Dam, KY  
 10/15/2025 10:34:59 AM

Tech: K. Cardwell  
 PC: A. Chambers



**Structure ID: A2 (San)**

**P1 MH048BA30CDARED**

**MH BASE w/DROP/ConBlock-CDA Red T/n**

- P4) 24" - CASTING HEIGHT - 7" 0 lb
  - P3) 48" - CON CONE w/24" HOLE, w/ConBlock-CDA Red F/G - 24" 1297 lb
  - P2) 48" - MH RISER w/DROP/ConBlock-CDA Red T/G - 60" 6758 lb
  - P1) 48" - MH BASE w/DROP/ConBlock-CDA Red T/n - 30" 4864 lb
  - 1) JOINT WRAP - 0.065"x6"x50' CONSEAL CS212 0 lb
  - 1) JOINT WRAP PRIMER - CONSEAL CS-75 (1 gal.) 0 lb
  - 1) ADMIXTURE CONBLOCK CDA RED 0 lb
  - 1) 48" - MH INVERT CHANNEL w/ConBlock-CDA Red - FULL HEIGHT 1440 lb
  - 2) 48" - Conseal CS-102 1.00" (Double) 0 lb
  - 2) PSX - 12-08 NYLO 16 lb
  - 1) Drop Tee - 6" PVC 0 lb
  - 1) Drop Elbow - 6" PVC 0 lb
  - 9) MH Step ML-10-TDS-NCR - 10" 0 lb
- Structure Total: 14375 lb

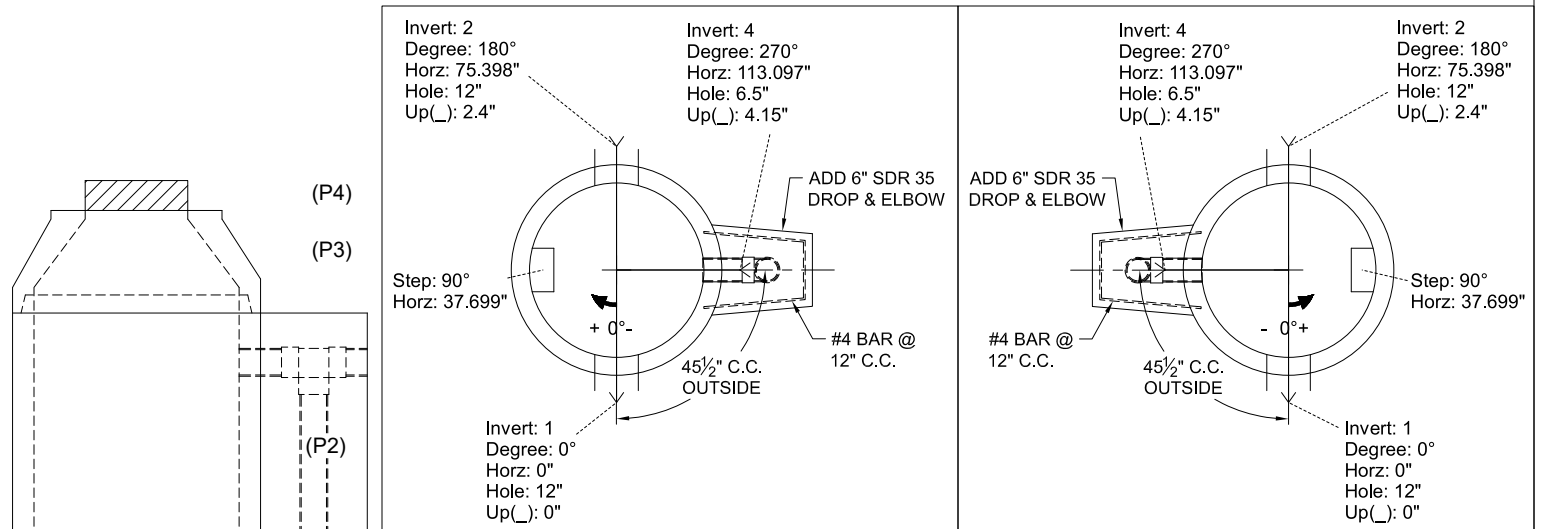
- Structure Notes:**
1. PER ASTM C-478 SPECS
  2. CONCRETE: 4,000 PSI AT 28 DAYS
  3. REINFORCEMENT: PER ASTM A615
  4. CONBLOCK CDA RED ADMIXTURE REQUIRED
  5. INVERT CHANNEL REQUIRED
  6. STEPS AT 90 DEGREES
  7. CASTING: JBS 1150 "SANITARY" SUPPLIED BY OTHERS
  8. EXTERIOR DROP ASSEMBLY FROM INVERT 3 TO INVERT 4 SUPPLIED BY ICAST
  9. ADD 6" SDR 35 DROP & ELBOW AT INVERT 4

Rim: 565.95' Rim to Invert: 10.02' Slack: 1.24" Sump: 2" Step Position: 90°

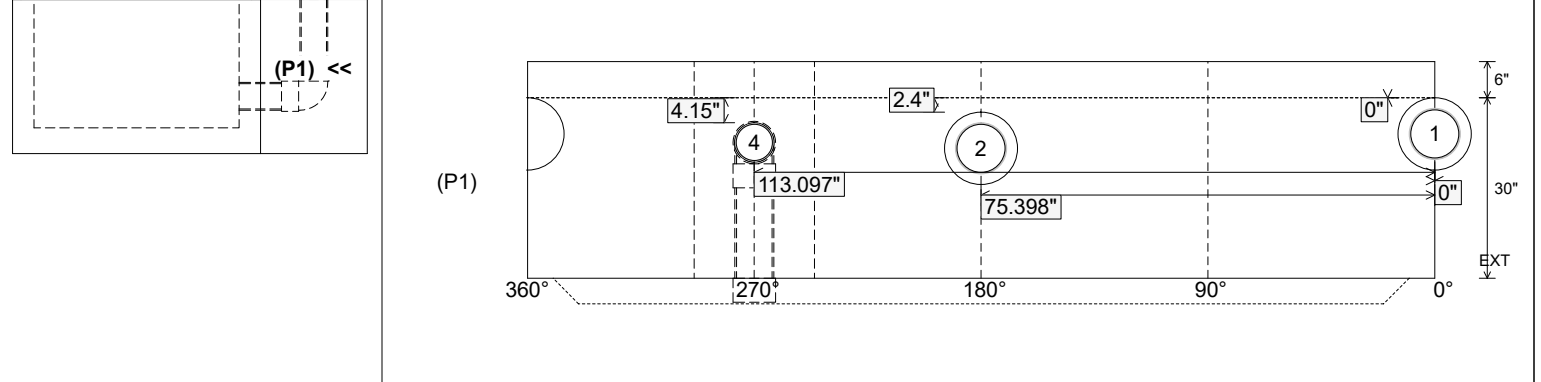
Position	Elev	Angle	Ext. (cw)	Pipe	Pipe OD	Connector	Hole	Horz Size	Up ( )	Offset
Invert 1	555.93'	0°	0"	8" PVC SDR35	8.5"	PSX 12-08 NYLO	12"	12.129"	0"	0"
Invert 2	556.13'	180°	91.106"	8" PVC SDR35	8.5"	PSX 12-08 NYLO	12"	12.129"	2.4"	0"
Invert 3										
Invert 4	556.13'	270°	136.659"	6" PVC SDR35	6.25"	Drop Elbow 6" PVC	6.5"	6.52"	4.15"	0"
Invert 5										
Invert 6										
Invert 7										
Invert 8										

RIGHT-SIDE UP VIEW (int. dimensions)

UPSIDE-DOWN VIEW (int. dimensions)



INSIDE WALL DIMENSIONS



Coating (Int): Coating (Ext):	Seam Up: Tongue Seam Dn: n/a	Wall Thickness: 5" Floor Height: 6"	Height (Int): 30" Height (Ext): 36"	Weight (Net): 4864 lb Volume (Net): 1.24cu.yd
----------------------------------	---------------------------------	--	--	--

Job Name: 24-2716 905 E Trinity  
 Job Location: Nashville, TN  
 Contractor: Hayes Pipe Supply

Plant: Beaver Dam, KY  
 10/15/2025 10:34:59 AM

Tech: K. Cardwell  
 PC: A. Chambers



**Structure ID: A2 (San)**

**P1 MH048BA30CDARED**

**MH BASE w/DROP/ConBlock-CDA Red T/n**

- P4) 24" - CASTING HEIGHT - 7"
- P3) 48" - CON CONE w/24" HOLE, w/ConBlock-CDA Red F/G - 24"
- P2) 48" - MH RISER w/DROP/ConBlock-CDA Red T/G - 60"
- P1) 48" - MH BASE w/DROP/ConBlock-CDA Red T/n - 30"
- 1) JOINT WRAP - 0.065"x6"x50' CONSEAL CS212
- 1) JOINT WRAP PRIMER - CONSEAL CS-75 (1 gal.)
- 1) ADMIXTURE CONBLOCK CDA RED
- 1) 48" - MH INVERT CHANNEL w/ConBlock-CDA Red - FULL HEIGHT
- 2) 48" - Conseal CS-102 1.00" (Double)
- 2) PSX - 12-08 NYLO
- 1) Drop Tee - 6" PVC
- 1) Drop Elbow - 6" PVC
- 9) MH Step ML-10-TDS-NCR - 10"

0 lb  
 1297 lb  
 6758 lb  
 4864 lb  
 0 lb  
 0 lb  
 0 lb  
 1440 lb  
 0 lb  
 16 lb  
 0 lb  
 0 lb  
 0 lb  
 -----  
 Structure Total: 14375 lb

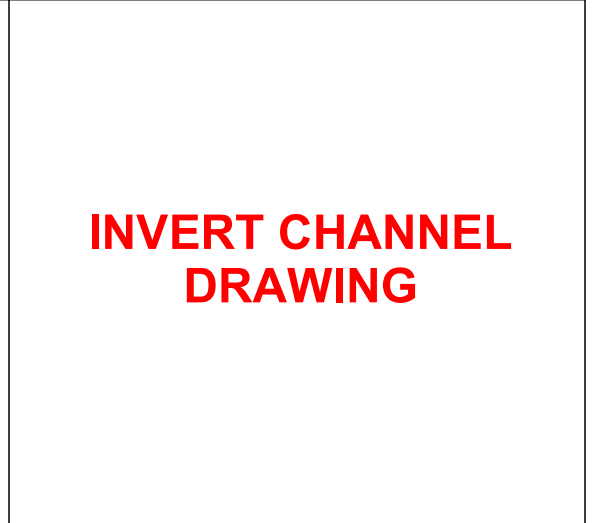
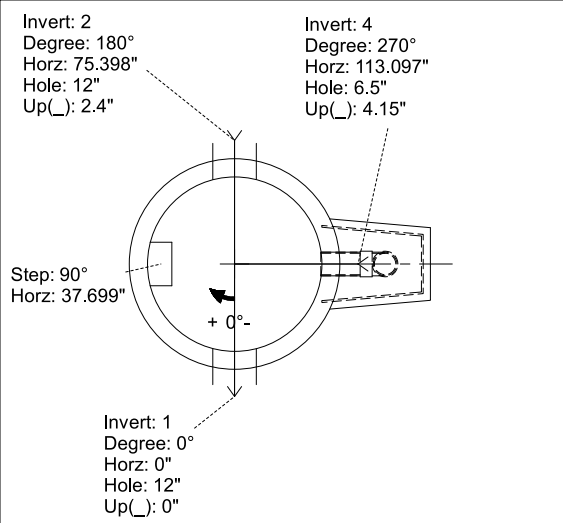
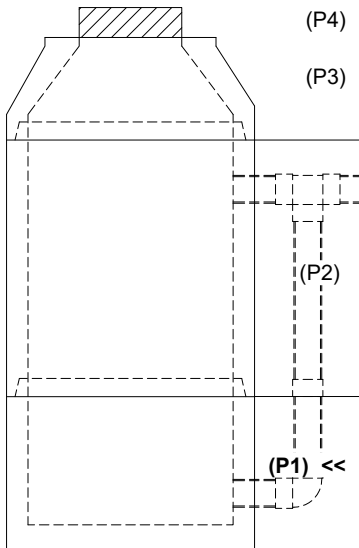
- Structure Notes:**
1. PER ASTM C-478 SPECS
  2. CONCRETE: 4,000 PSI AT 28 DAYS
  3. REINFORCEMENT: PER ASTM A615
  4. CONBLOCK CDA RED ADMIXTURE REQUIRED
  5. INVERT CHANNEL REQUIRED
  6. STEPS AT 90 DEGREES
  7. CASTING: JBS 1150 "SANITARY" SUPPLIED BY OTHERS
  8. EXTERIOR DROP ASSEMBLY FROM INVERT 3 TO INVERT 4 SUPPLIED BY ICAST

Rim: 565.95' Rim to Invert: 10.02' Slack: 1.24" Sump: 2" Step Position: 90°

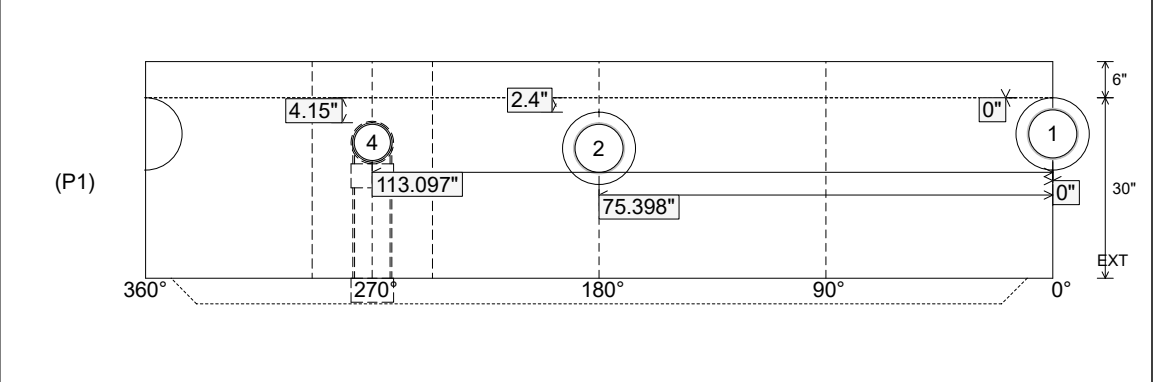
Position	Elev	Angle	Ext. (cw)	Pipe	Pipe OD	Connector	Hole	Horz Size	Up ( )	Offset
Invert 1	555.93'	0°	0"	8" PVC SDR35	8.5"	PSX 12-08 NYLO	12"	12.129"	0"	0"
Invert 2	556.13'	180°	91.106"	8" PVC SDR35	8.5"	PSX 12-08 NYLO	12"	12.129"	2.4"	0"
Invert 3										
Invert 4	556.13'	270°	136.659"	6" PVC SDR35	6.25"	Drop Elbow 6" PVC	6.5"	6.52"	4.15"	0"
Invert 5										
Invert 6										
Invert 7										
Invert 8										

RIGHT-SIDE UP VIEW (int. dimensions)

UPSIDE-DOWN VIEW (int. dimenions)



INSIDE WALL DIMENSIONS



Coating (Int): Coating (Ext):	Seam Up: Tongue Seam Dn: n/a	Wall Thickness: 5" Floor Height: 6"	Height (Int): 30" Height (Ext): 36"	Weight (Net): 4864 lb Volume (Net): 1.24cu.yd
----------------------------------	---------------------------------	--	--	--