

Job Name: 24-2716 905 E Trinity  
 Job Location: Nashville, TN  
 Contractor: Hayes Pipe Supply

Plant: Beaver Dam, KY  
 10/15/2025 10:35:26 AM

Tech: K. Cardwell  
 PC: A. Chambers



**Structure ID: A1 (San)**

**P2 MH048RS66SCDARED**

**MH RISER w/DROP/ConBlock-CDA Red T/G**

- P4) 24" - CASTING HEIGHT - 7" 0 lb
- P3) 48" - CON CONE w/24" HOLE, w/ConBlock-CDA Red F/G - 24" 1297 lb
- P2) 48" - MH RISER w/DROP/ConBlock-CDA Red T/G - 66" 7435 lb
- P1) 48" - MH BASE w/DROP/ConBlock-CDA Red T/n - 24" 4187 lb
- 1) JOINT WRAP PRIMER - CONSEAL CS-75 (1 gal.) 0 lb
- 1) ADMIXTURE CONBLOCK CDA RED 0 lb
- 1) 48" - MH INVERT CHANNEL w/ConBlock-CDA Red - FULL HEIGHT 1440 lb
- 1) JOINT WRAP - 0.065"x6"x50' CONSEAL CS212 0 lb
- 2) 48" - Conseal CS-102 1.00" (Double) 0 lb
- 1) PSX - 12M NYLO 8 lb
- 1) Drop Tee - 6" PVC 0 lb
- 1) PSX - 12-08 NYLO 8 lb
- 1) Drop Elbow - 6" PVC 0 lb
- 10) MH Step ML-10-TDS-NCR - 10" 0 lb

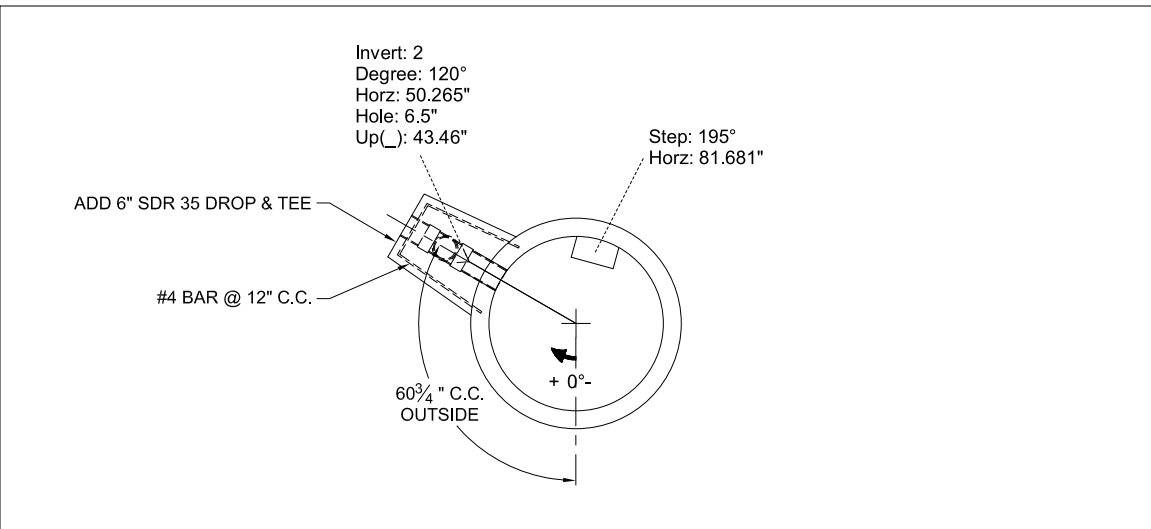
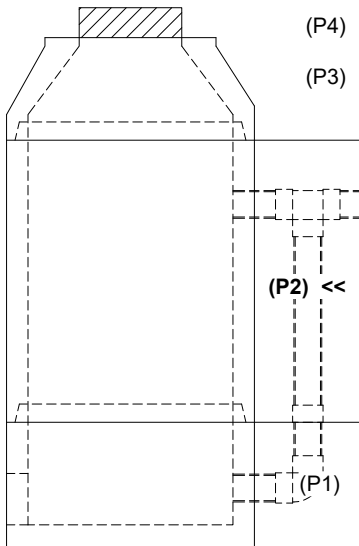
- Structure Notes:**
1. PER ASTM C-478 SPECS
  2. CONCRETE: 4,000 PSI AT 28 DAYS
  3. REINFORCEMENT: PER ASTM A615
  4. CONBLOCK CDA RED ADMIXTURE REQUIRED
  5. INVERT CHANNEL REQUIRED
  6. STEPS AT 195 DEGREES
  7. CASTING: JBS 1150 "SANITARY" SUPPLIED BY OTHERS
  8. EXTERIOR DROP ASSEMBLY FROM INVERT 2 TO INVERT 4 SUPPLIED BY ICAST
  9. ADD 6" SDR 35 DROP & TEE AT INVERT 2

Structure Total: 14375 lb

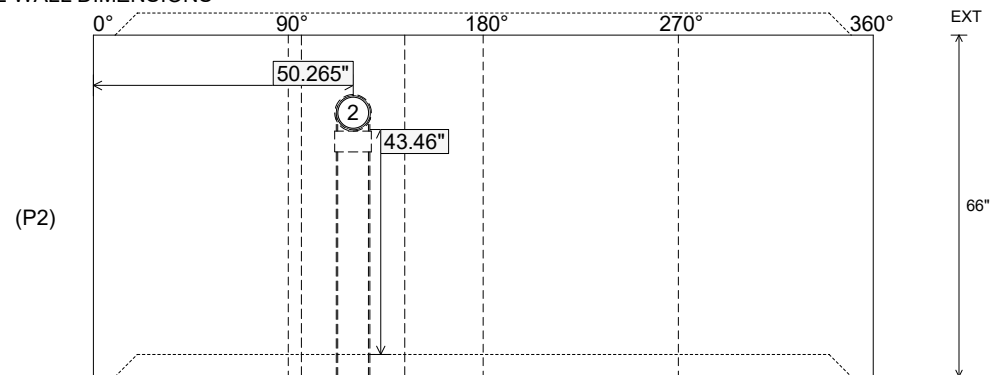
Rim: 565.1' Rim to Invert: 10.02' Slack: 1.24" Sump: 2" Step Position: 195°

Position	Elev	Angle	Ext. (cw)	Pipe	Pipe OD	Connector	Hole	Horz Size	Up (↓)	Offset
Invert 1										
Invert 2	560.91'	120°	60.737"	6" PVC SDR35	6.25"	Drop Tee 6" PVC	6.5"	6.52"	43.46"	0"
Invert 3										
Invert 4										
Invert 5										
Invert 6										
Invert 7										
Invert 8										

**RIGHT-SIDE UP VIEW (int. dimensions)**



**INSIDE WALL DIMENSIONS**



Coating (Int): Coating (Ext):	Seam Up: Tongue Seam Dn: Groove	Wall Thickness: 5" Floor Height: 0"	Height (Int): 66" Height (Ext): 66"	Weight (Net): 7435 lb Volume (Net): 1.90cu.yd
----------------------------------	------------------------------------	--	--	--