

Job Name: 24-2677 - Barkley Regional Airport Runway 5-23
Job Location: Ashland, KY
Contractor: Jim Smith Contracting Co, LLC

PC: J. Jarvis
 TECH: M. Biliter
 Plant: Beaver Dam



Structure ID: L1 - INLET TY 2

Spec: Storm
 Type: BX 12inW, 12inF
 Size: 60" x 84"

Rim: 391.25'
 Invert: 385'
 Rim to Invert: 6.25'

Sump: 5"
 Floor (Top): 384.583'
 Floor Height: 12"

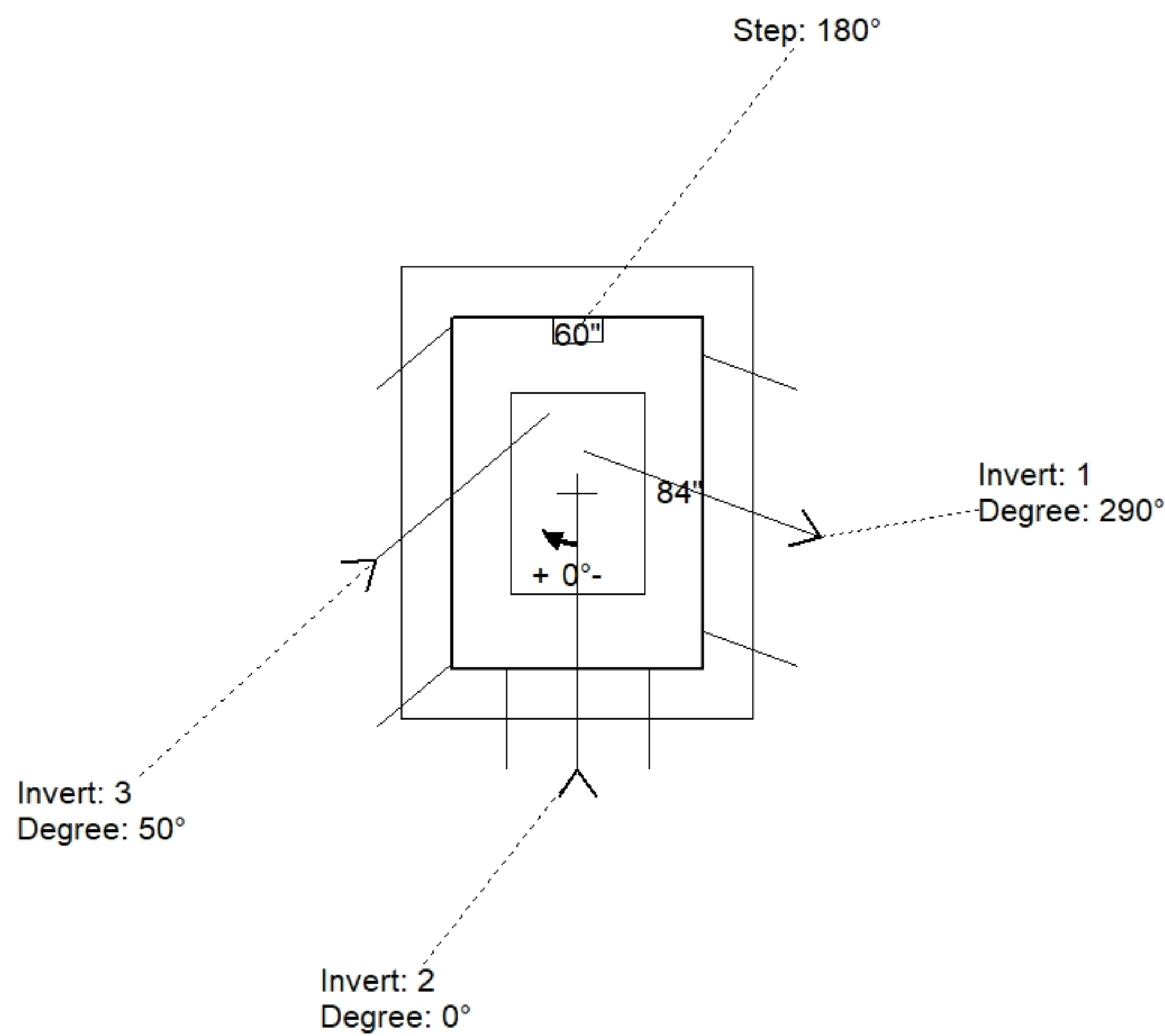
Floor (Bot): 383.583'
 Overall Height: 7.667'
 Slack: 0"

Structure Notes:

- PER ASTM C913 SPECIFICATIONS.
- CONCRETE = 5,000 PSI AT 28 DAYS.
- REINFORCING PER ASTM A615 (GRADE 60)
 - TOP - SEE SEPARATE DETAIL
 - WALLS - #5 BAR AT 12" C/C E.W. (DOUBLE MAT) w/ ADD'L #5 BAR DIAGONALS AROUND THE PIPE OPENINGS.
 - FLOOR - #5 BAR AT 7" C/C E.W.
- CASTING - EJ 5436 DOUBLE ASSEMBLY CAST INTO FLAT TOP BY ICAST.

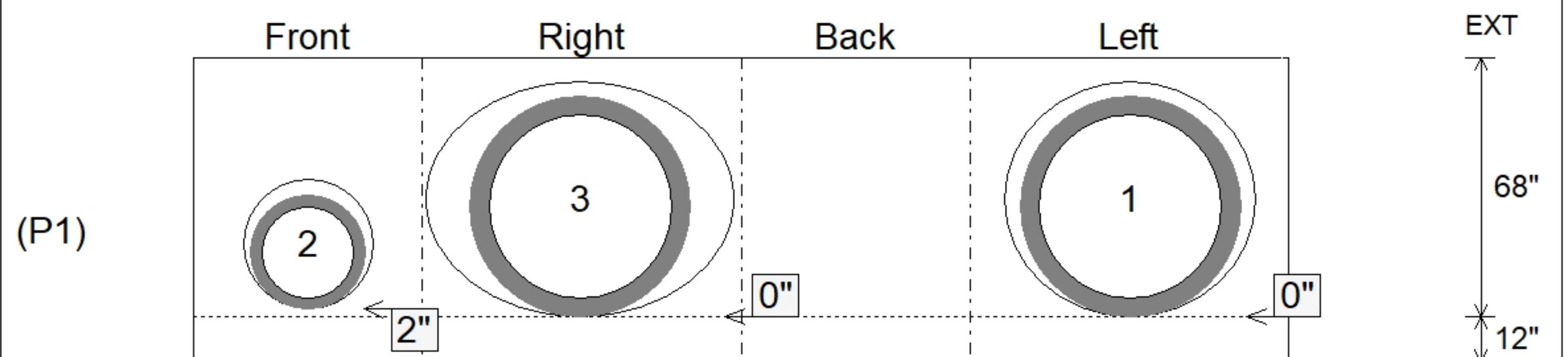
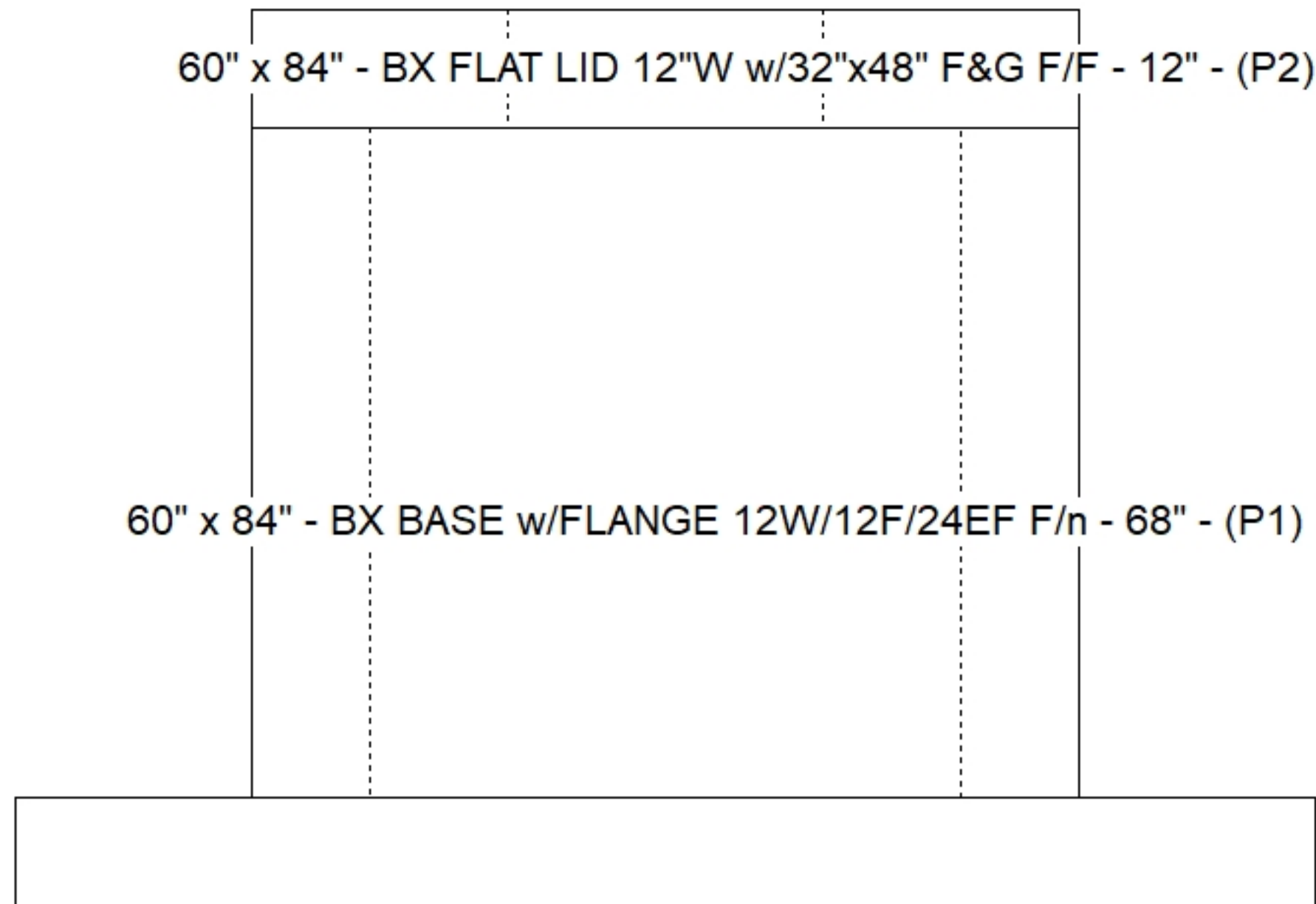
STRUCTURE SUMMARY:

P2) 60" x 84" - BX FLAT LID 12"W w/32"x48" F&G F/F - 12"	7588 lb
P1) 60" x 84" - BX BASE w/FLANGE 12W/12F/24EF F/n - 68"	35624 lb
2) Hole - 62	0 lb
1) Hole - 34	0 lb
6) MH Step ML-10-TDS-NCR - 10"	0 lb
Structure Total:	43212 lb



Position	Elev	Angle	Pipe	Pipe OD	Hole	Connector	Up ()	Ref
Rim	391.25'							
Reducer								
Invert 1	385'	290°	48" RCP B WALL	58"	62"	Hole 62	0"	P1
Invert 2	385'	0°	24" RCP B WALL	30"	34"	Hole 34	2"	P1
Invert 3	385'	50°	48" RCP B WALL	58"	62"	Hole 62	0"	P1
Invert 4								
Invert 5								
Invert 6								
Invert 7								
Invert 8								

Cast (Int. Dim.) - Interior Dimensions



Submittal Drawing
 10/15/2025 6:38:43 PM

SUBMITTAL
 APPROVED BY: