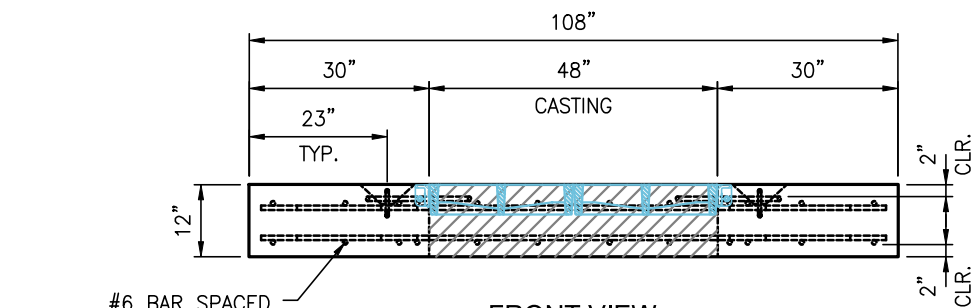


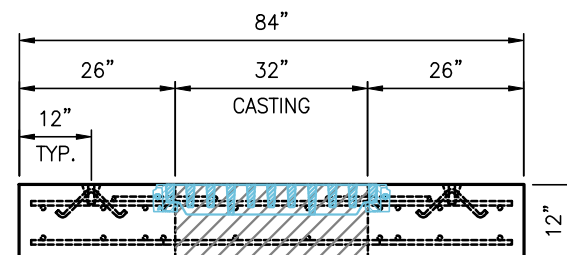
TOP VIEW

- NOTES:**
1. PER ASTM C913 SPECIFICATIONS.
 2. CONCRETE = 4,000 PSI AT 28 DAYS.
 3. REINFORCEMENT PER ASTM A615 (GRADE 60)
#6 BAR AT 12" C.C.E.W. (2" MIN. CLEARANCE (TYP)).
 4. WEIGHT:
TOP.....7,588 LBS.
 5. CASTING - EJ 5436 DOUBLE ASSEMBLY CAST INTO
FLAT TOP BY ICAST.
 6. VERIFY ALL DIMENSIONS & ANY REQUIRED OPENING
SIZES & LOCATIONS BEFORE MANUFACTURE.

FOR STRUCTURES J3 & L1



FRONT VIEW



SIDE VIEW

REVISION INFORMATION

REV. Δ DATE: 00/00/00	NO REVISIONS TO DATE



SUBMITTAL DRAWING: 84"x108"x12"H FLAT TOP w/ EJ 5436 DBL.		
CUSTOMER: JIM SMITH CONTRACTING CO, LLC		
PROJECT: BARKLEY REGIONAL AIRPORT RUNWAY 5-23		
STRUCTURE: TOP SLAB DETAIL - INLET TY 2 - 60"x84"		
SALES ORDER NO: 24-2677		
PC: J. JARVIS	DRAWN BY: M. BILITER	
DATE: 02/19/25	SCALE: NTS	PG. 1 of 1