

Job Name: 24-2570 KY Oak Glenmary 48in Main Rehab Ph.2	Plant: Beaver Dam	Tech: J. Coppage	
Job Location: Louisville, KY Contractor: Garney Companies, Inc.	12/10/2025 3:45:20 PM	PC: A. Chambers	

**Structure ID: MWV 01**

**P1 P.I.P. BY OTHERS - BTM SLAB**

P4) 24" - CASTING HEIGHT - 7"	0 lb
P3) 78" x 84" - CB FLAT TOP 8"W w/(2) 24" HOLES - 8"	5703 lb
P2) 78" x 84" - BOX RISER 8inW, Variable Ht - 41"	8051 lb
P1) 78" x 84" - P.I.P. BY OTHERS - BTM SLAB - 0"	0 lb
2) 24" x 120" - FOOTING SLAB 24"x120"x8" - BLKCGSTM	3856 lb
2) DOGHOUSE - 54"x27"	0 lb
Structure Total:	17610 lb

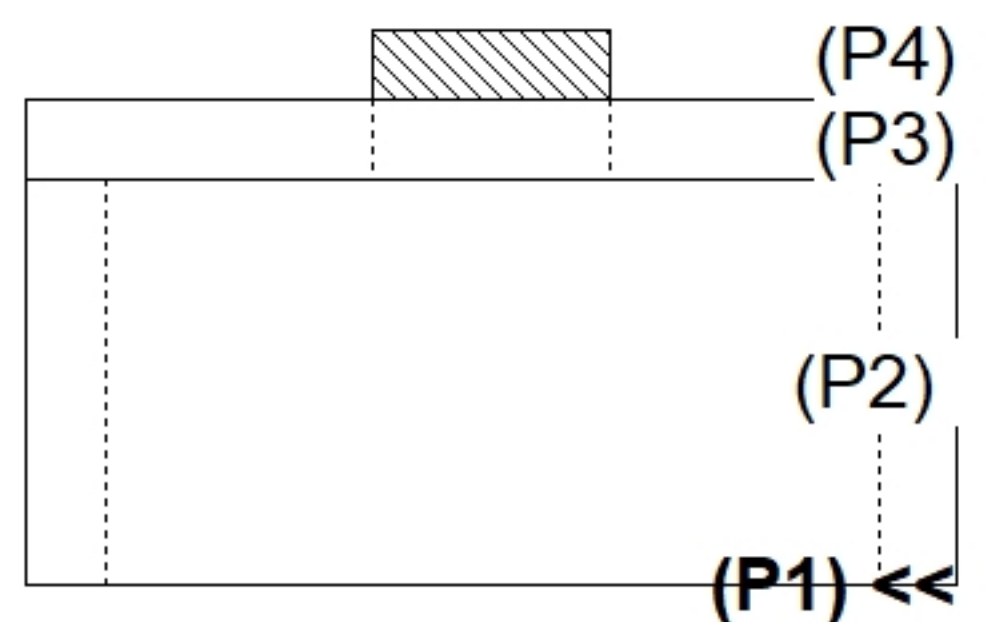
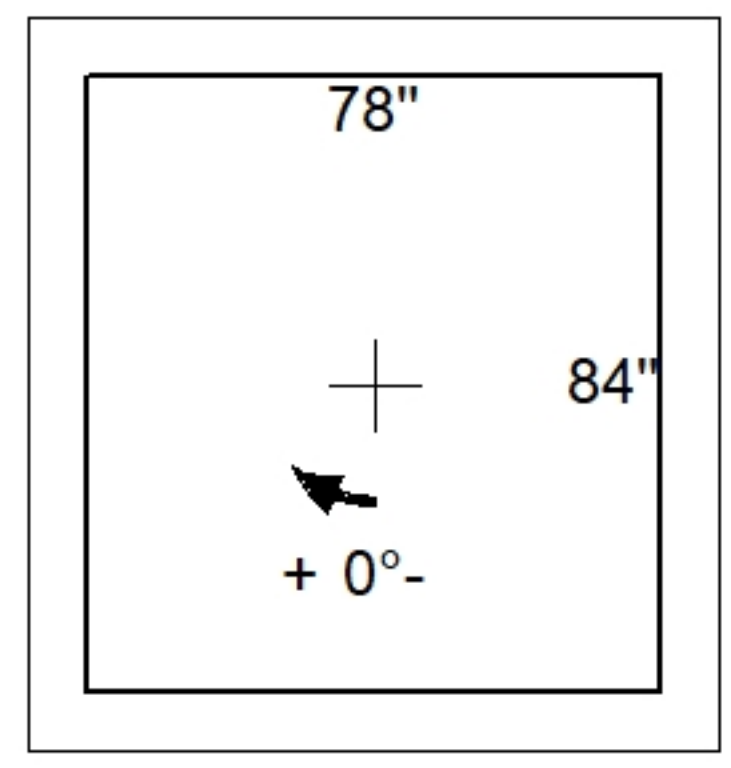
Structure Notes:

Rim: 5' Rim to Invert: 5' Slack: 5.375" Sump: 1.375" Step Position:

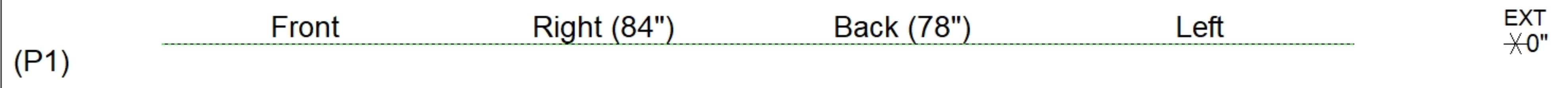
Position	Elev	Angle	Ext. (cw)	Pipe	Pipe OD	Connector	Hole	Horz Size	Up (L)	Offset
Invert 1										
Invert 2										
Invert 3										
Invert 4										
Invert 5										
Invert 6										
Invert 7										
Invert 8										

RIGHT-SIDE UP VIEW (int. dimensions)

UPSIDE-DOWN VIEW (int. dimenions)



INSIDE WALL DIMENSIONS



Coating (Int): Coating (Ext):	Seam Up: Flat Seam Dn: n/a	Wall Thickness: 8" Floor Height: 0"	Height (Int): 0" Height (Ext): 0"	Weight (Net): 0 lb Volume (Net): 0cu.yd
----------------------------------	-------------------------------	--	--------------------------------------	--