

Job Name: 24-2570 KY Oak Glenmary 48in Main Rehab Ph.2
Job Location: Louisville, KY
Contractor: Garney Companies, Inc.

PC: A. Chambers
 TECH: J. Coppage
 Plant: Beaver Dam



Structure ID: **GVV 06**
 Spec: Storm
 Type: BX 8inW, (Open Btm)
 Size: 48" x 60"

Rim: 11.583'
 Invert: 0'
 Rim to Invert: 11.583'

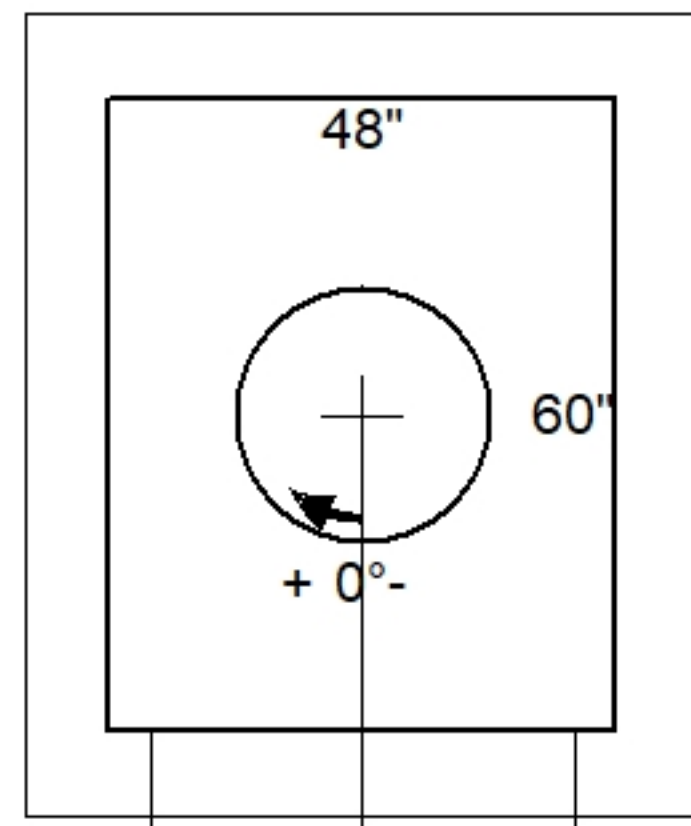
Sump: 0"
 Floor (Top): 0"
 Floor Height: 0"

Floor (Bot): 0'
 Overall Height: 11.167'
 Slack: 5"

Structure Notes:

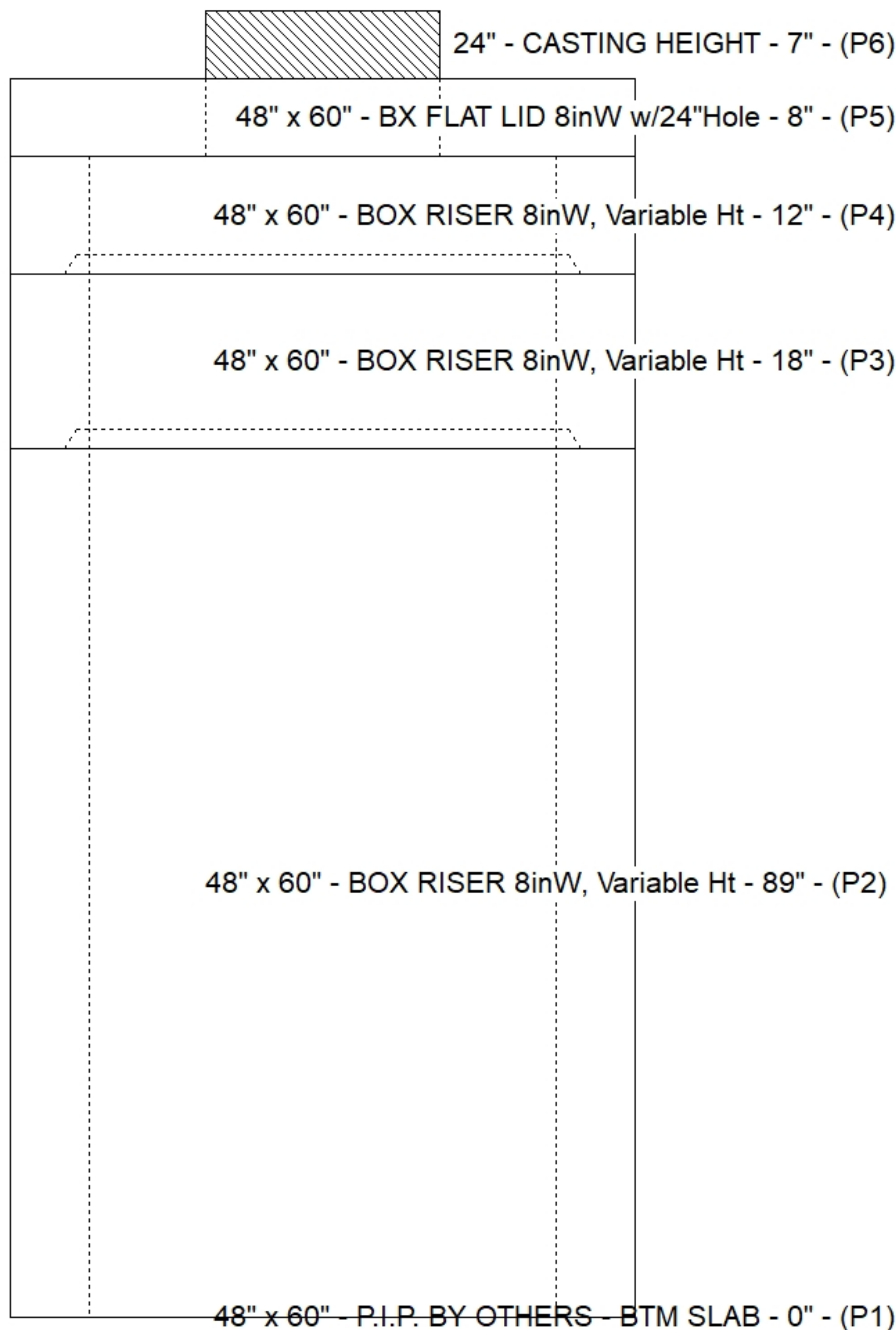
STRUCTURE SUMMARY:

P6) 24" - CASTING HEIGHT - 7"	0 lb
P5) 48" x 60" - BX FLAT LID 8inW w/24"Hole - 8"	2961 lb
P4) 48" x 60" - BOX RISER 8inW, Variable Ht - 12"	1998 lb
P3) 48" x 60" - BOX RISER 8inW, Variable Ht - 18"	2997 lb
P2) 48" x 60" - BOX RISER 8inW, Variable Ht - 89"	12669 lb
P1) 48" x 60" - P.I.P. BY OTHERS - BTM SLAB - 0"	0 lb
2) 18" x 84" - FOOTING SLAB 18"x84"x10" - BLKCSTM	2536 lb
1) SQ. Hole - 40"x80"	0 lb
Structure Total:	23161 lb

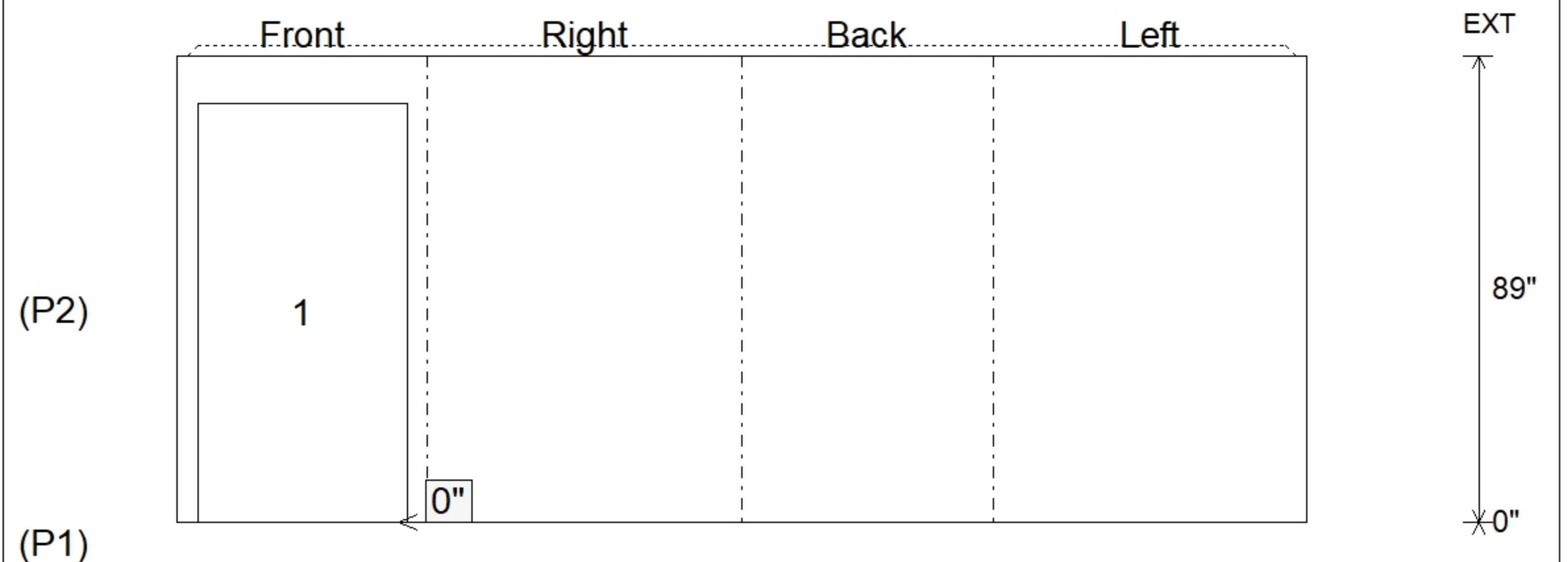


Invert: 1
 Degree: 0°

Position	Elev	Angle	Pipe	Pipe OD	Hole	Connector	Up ()	Ref
Rim	11.583'							
Reducer								
Invert 1	0'	0°	40" x 80" SQ. Hole	40" x 80"	40" x 80"	SQ. Hole 40"x80"	0"	P2
Invert 2								
Invert 3								
Invert 4								
Invert 5								
Invert 6								
Invert 7								
Invert 8								



Default - Interior Dimensions



Submittal Drawing
 12/10/2025 3:45:13 PM

SUBMITTAL
 APPROVED BY: