

Structure ID: GVV 06

P1 P.I.P. BY OTHERS - BTM SLAB

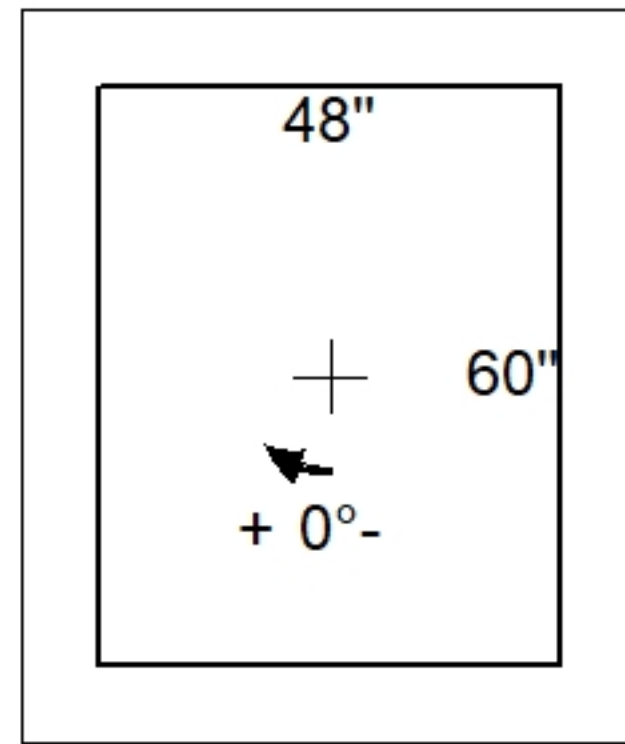
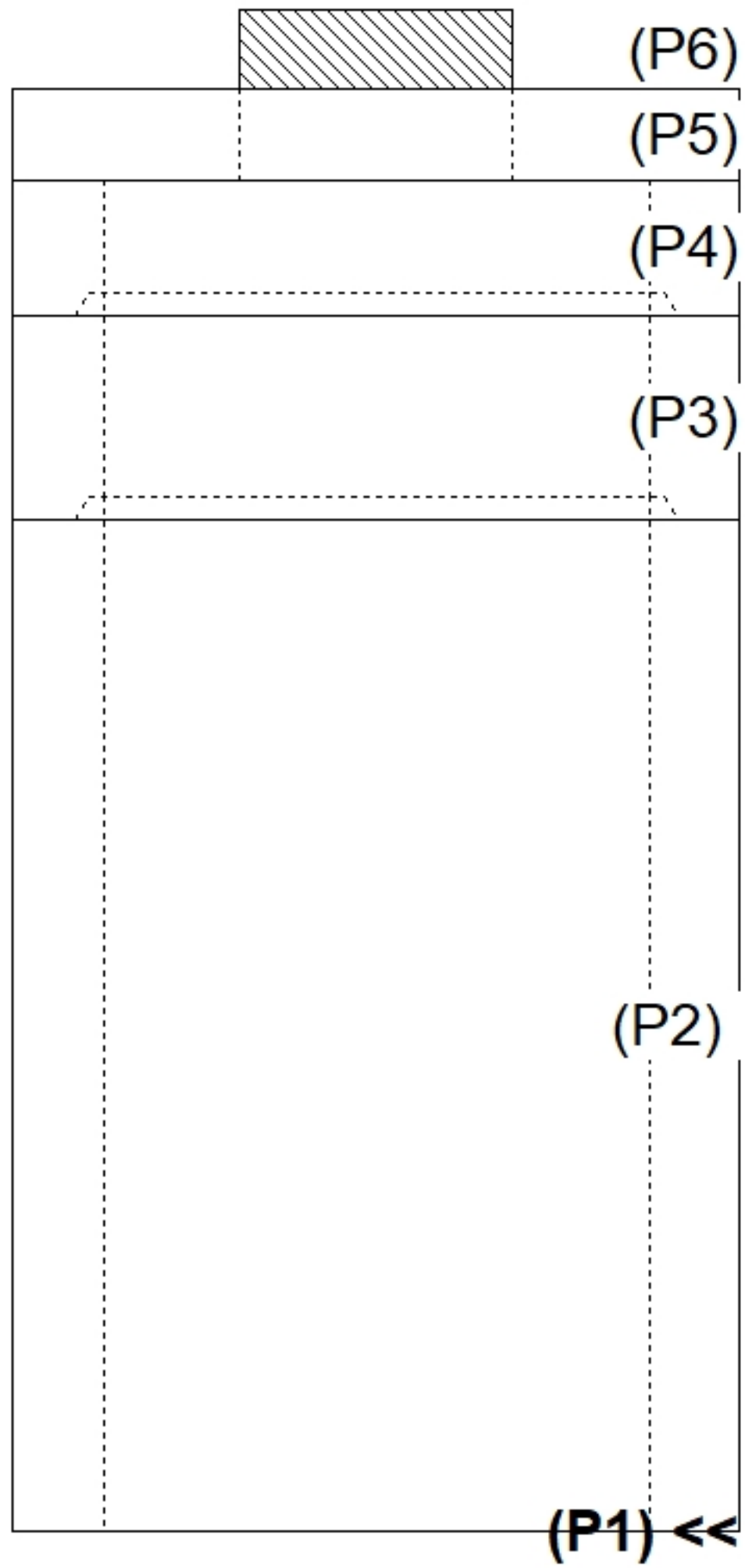
P6) 24" - CASTING HEIGHT - 7"	0 lb	<u>Structure Notes:</u>
P5) 48" x 60" - BX FLAT LID 8inW w/24"Hole - 8"	2961 lb	
P4) 48" x 60" - BOX RISER 8inW, Variable Ht - 12"	1998 lb	
P3) 48" x 60" - BOX RISER 8inW, Variable Ht - 18"	2997 lb	
P2) 48" x 60" - BOX RISER 8inW, Variable Ht - 89"	12669 lb	
P1) 48" x 60" - P.I.P. BY OTHERS - BTM SLAB - 0"	0 lb	
2) 18" x 84" - FOOTING SLAB 18"x84"x10" - BLKCSTM	2536 lb	
1) SQ. Hole - 40"x80"	0 lb	
Structure Total:	23161 lb	

Rim: 11.583' Rim to Invert: 11.583' Slack: 5" Sump: 0" Step Position:

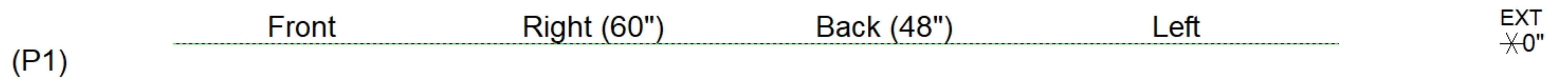
Position	Elev	Angle	Ext. (cw)	Pipe	Pipe OD	Connector	Hole	Horz Size	Up (L)	Offset
Invert 1										
Invert 2										
Invert 3										
Invert 4										
Invert 5										
Invert 6										
Invert 7										
Invert 8										

RIGHT-SIDE UP VIEW (int. dimensions)

UPSIDE-DOWN VIEW (int. dimensions)



INSIDE WALL DIMENSIONS



Coating (Int): Coating (Ext):	Seam Up: Flat Seam Dn: n/a	Wall Thickness: 8" Floor Height: 0"	Height (Int): 0" Height (Ext): 0"	Weight (Net): 0 lb Volume (Net): 0cu.yd
----------------------------------	-------------------------------	--	--------------------------------------	--