

Job Name: 24-2570 KY Oak Glenmary 48in Main Rehab Ph.2	Plant: Beaver Dam	Tech: J. Coppage	
Job Location: Louisville, KY Contractor: Garney Companies, Inc.	12/10/2025 3:45:25 PM	PC: A. Chambers	

Structure ID: GVV 05

P1 P.I.P. BY OTHERS - BTM SLAB

P4) 24" - CASTING HEIGHT - 7"	0 lb
P3) 48" x 60" - BX FLAT LID 8inW w/24"Hole - 8"	2961 lb
P2) 48" x 60" - BOX RISER 8inW, Variable Ht - 89"	12669 lb
P1) 48" x 60" - P.I.P. BY OTHERS - BTM SLAB - 0"	0 lb
2) 18" x 84" - FOOTING SLAB 18"x84"x10" - BLKCSTM	2536 lb
1) SQ. Hole - 40"x80"	0 lb
Structure Total:	18166 lb

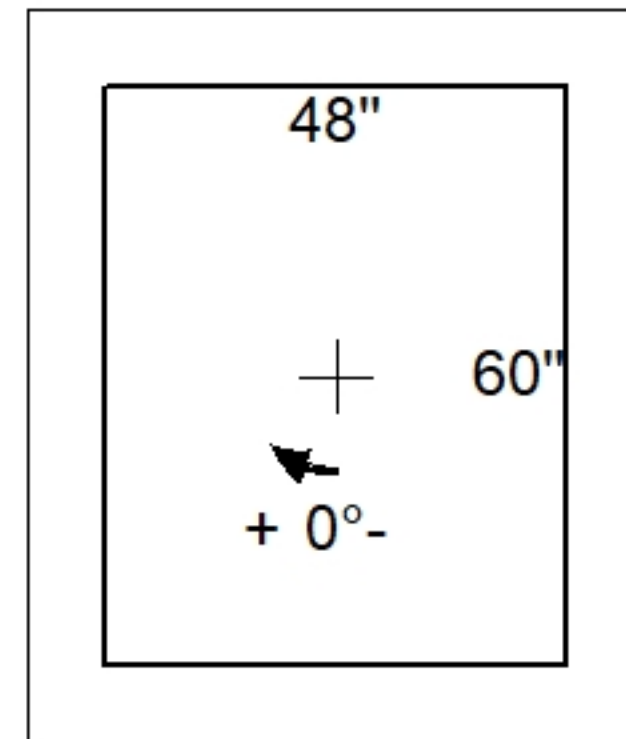
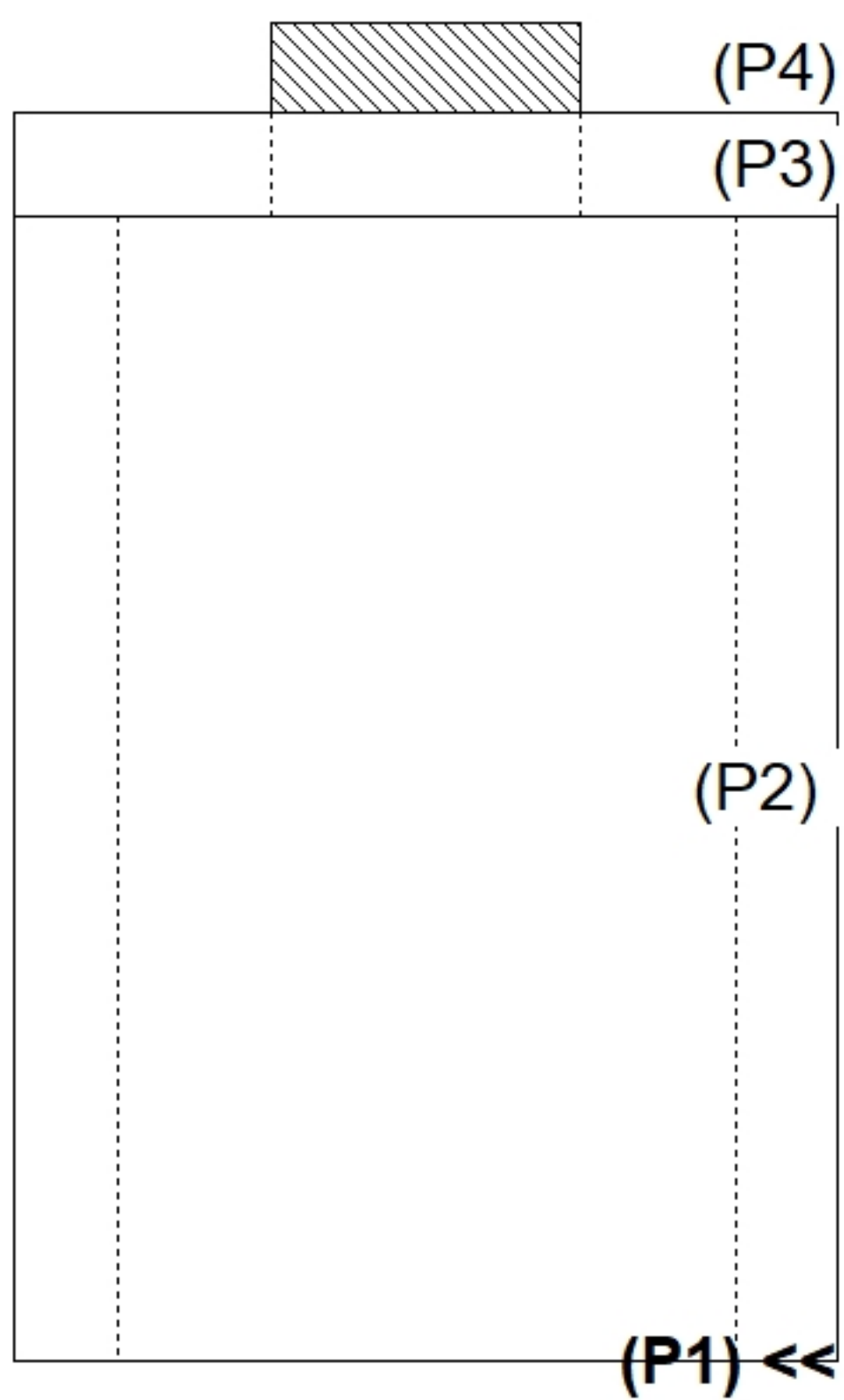
Structure Notes:

Rim: 9.5' Rim to Invert: 9.5' Slack: 10" Sump: 0" Step Position:

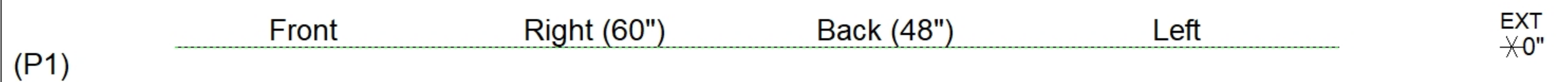
Position	Elev	Angle	Ext. (cw)	Pipe	Pipe OD	Connector	Hole	Horz Size	Up ()	Offset
Invert 1										
Invert 2										
Invert 3										
Invert 4										
Invert 5										
Invert 6										
Invert 7										
Invert 8										

RIGHT-SIDE UP VIEW (int. dimensions)

UPSIDE-DOWN VIEW (int. dimensions)



INSIDE WALL DIMENSIONS



Coating (Int):	Seam Up: Flat	Wall Thickness: 8"	Height (Int): 0"	Weight (Net): 0 lb
Coating (Ext):	Seam Dn: n/a	Floor Height: 0"	Height (Ext): 0"	Volume (Net): 0cu.yd