

Job Name: 24-2513 3rd & Monroe
Job Location: Nashville, TN
Contractor: Hayes Pipe Supply

PC: Trevor Lewis
 TECH: J. Horsley - A
 Plant: 100



Structure ID: **B2**
 Spec: Storm
 Type: BX 8inW, 8inF
 Size: 24" x 24"

Rim: 430.2'
 Invert: 428.4'
 Rim to Invert: 1.8'

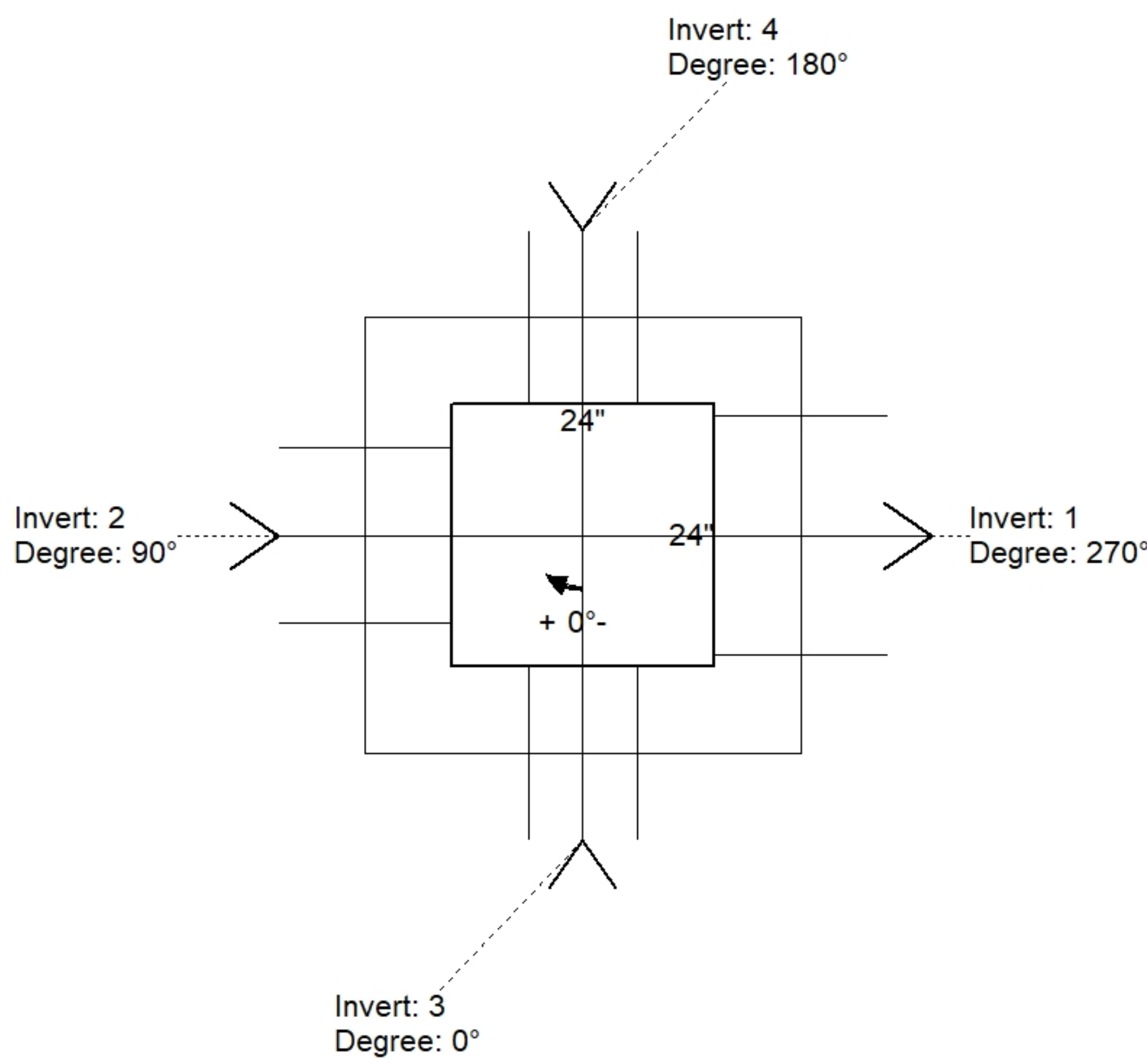
Sump: 2.25"
 Floor (Top): 428.213'
 Floor Height: 8"

Floor (Bot): 427.546'
 Overall Height: 2.823'
 Slack: -2.024"

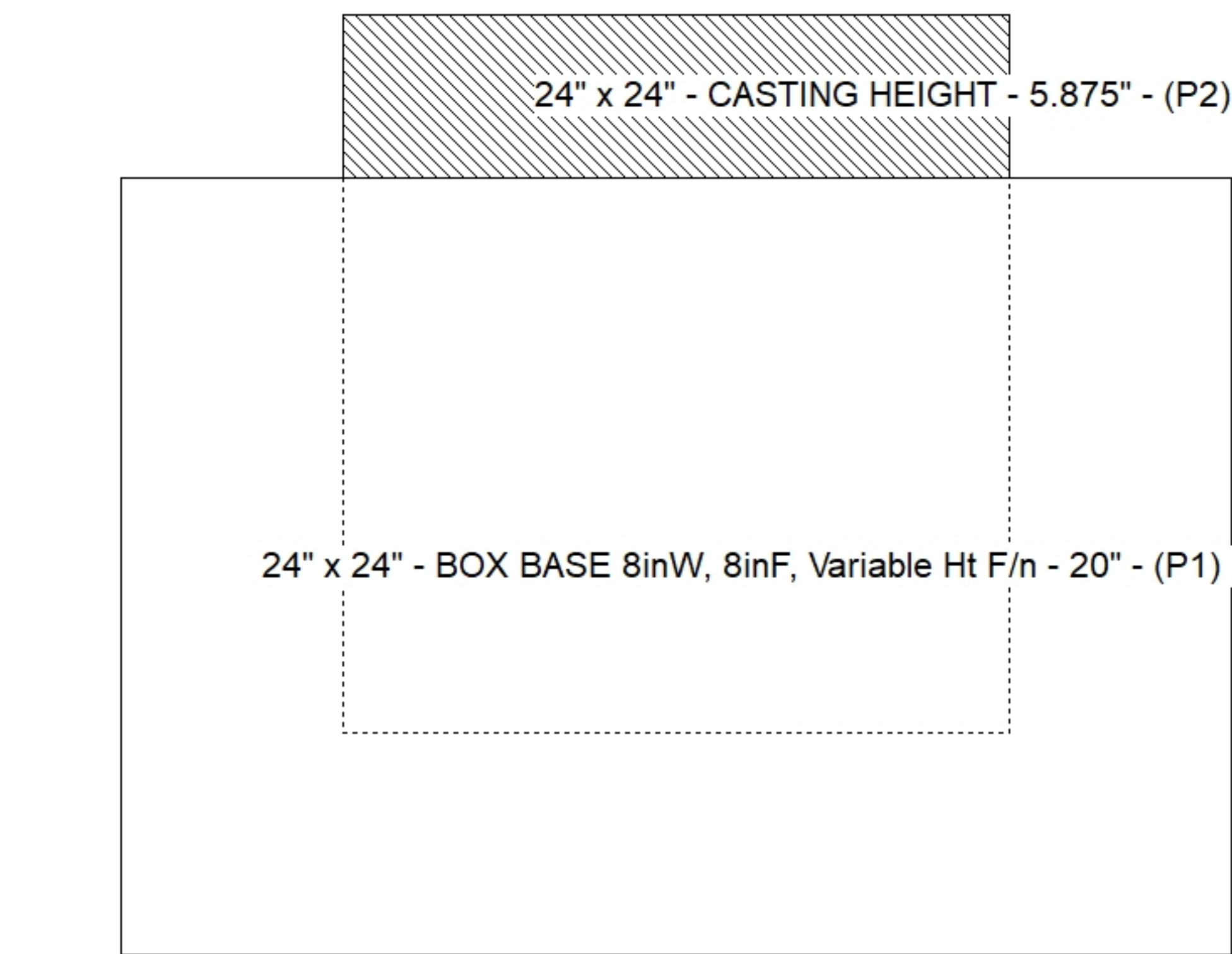
Structure Notes:
 PLAN LABEL: B2
 1. JBS-4330 PROVIDED BY ICAST.
 2. PER ASTM C913 SPECIFICATIONS.
 3. CONCRETE = 4,000 PSI AT 28 DAYS.
 4. NO INVERT CHANNEL.
 5. REINFORCING PER ASTM A615 (GRADE 60).
 - WALLS (As .12) #5 BARS AT 12" C.C.E.W.
 - FLOOR (As .12) #5 BARS AT 12" C.C.E.W.
 6. WE HAVE RAISED THE RIM ELEVATION 2.024"
 TO ALLOW FOR THE PIPE TO FIT UNDERNEATH THE CASTING
 (SHOWN IN THIS SUBMITTAL AS NEGATIVE 2" OF SLACK)

STRUCTURE SUMMARY:

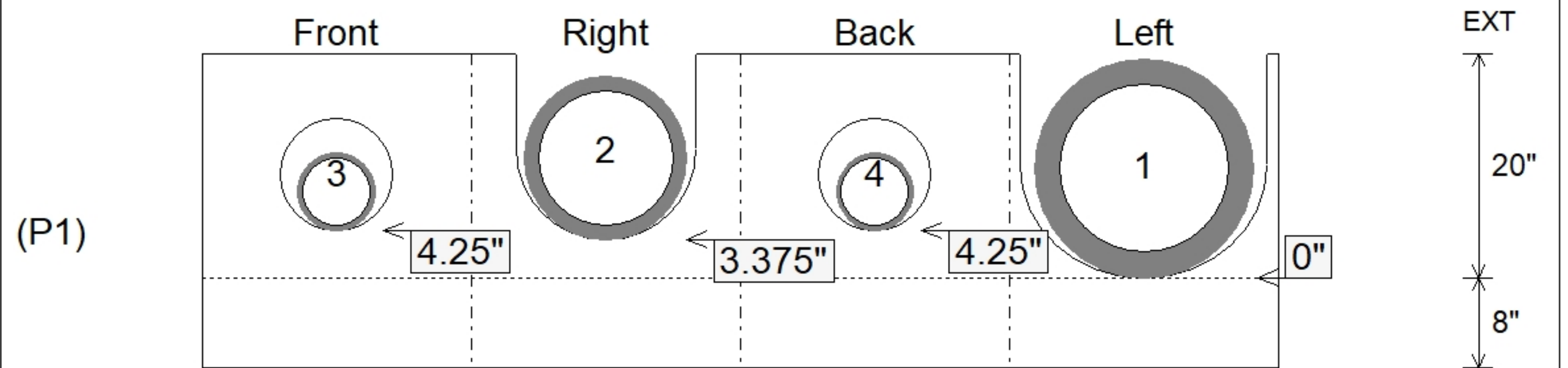
P2) 24" x 24" - CASTING HEIGHT - 5.875"	0 lb
P1) 24" x 24" - BOX BASE 8inW, 8inF, Variable Ht F/n - 20"	2264 lb
1) 24" x 24" - Conseal CS-102 1.00"	0 lb
1) DOGHOUSE INVRTD - 22"x20"	0 lb
1) DOGHOUSE INVRTD - 16"x16"	0 lb
2) Hole - 10	0 lb
Structure Total:	2264 lb



Position	Elev	Angle	Pipe	Pipe OD	Hole	Connector	Up (")	Ref
Rim	430.2'							
Reducer								
Invert 1	428.4'	270°	15" RCP B WALL	19.5"	22" x 20"	DOGHOUSE INVRTD 22"x20"	0"	P1
Invert 2	428.6'	90°	12" HDPE	14.5"	16" x 16"	DOGHOUSE INVRTD 16"x16"	3.375"	P1
Invert 3	428.6'	0°	6" HDPE	6.9"	10"	Hole 10	4.25"	P1
Invert 4	428.6'	180°	6" HDPE	6.9"	10"	Hole 10	4.25"	P1
Invert 5								
Invert 6								
Invert 7								
Invert 8								



Cast (Int. Dim.) - Interior Dimensions



Submittal Drawing
 11/17/2025 12:51:22 PM

SUBMITTAL
 APPROVED BY: