

**Structure ID: B2**

**P1 BX2424-08BAVF**

**BOX BASE 8inW, 8inF, Variable Ht F/n**

P2) 24" x 24" - CASTING HEIGHT - 5.875" P1) 24" x 24" - BOX BASE 8inW, 8inF, Variable Ht F/n - 20" 1) 24" x 24" - Conseal CS-102 1.00" 1) DOGHOUSE INVRTD - 22"x20" 1) DOGHOUSE INVRTD - 16"x16" 2) Hole - 10	0 lb 2264 lb 0 lb 0 lb 0 lb 0 lb 0 lb ----- Structure Total: 2264 lb
--	--

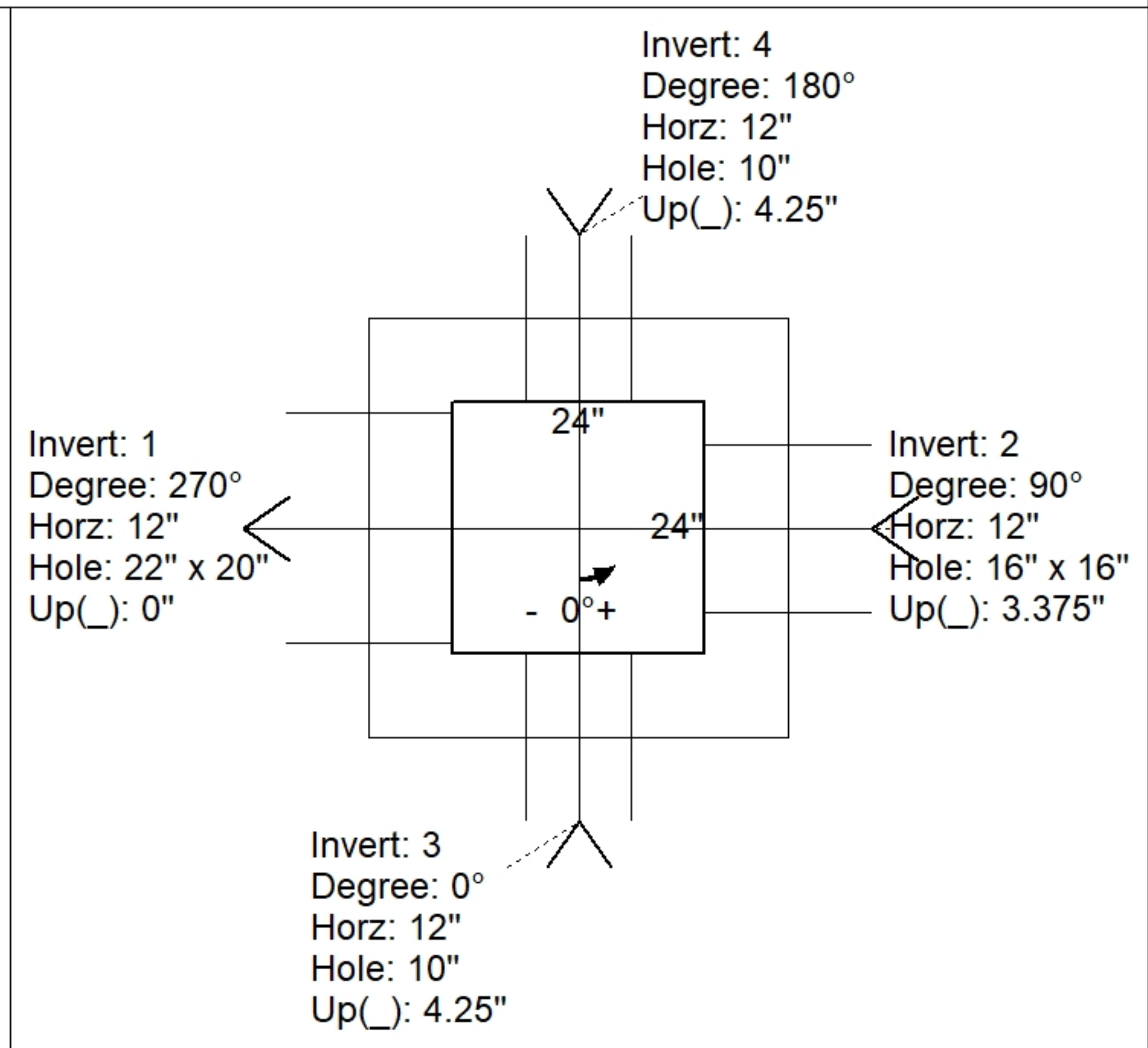
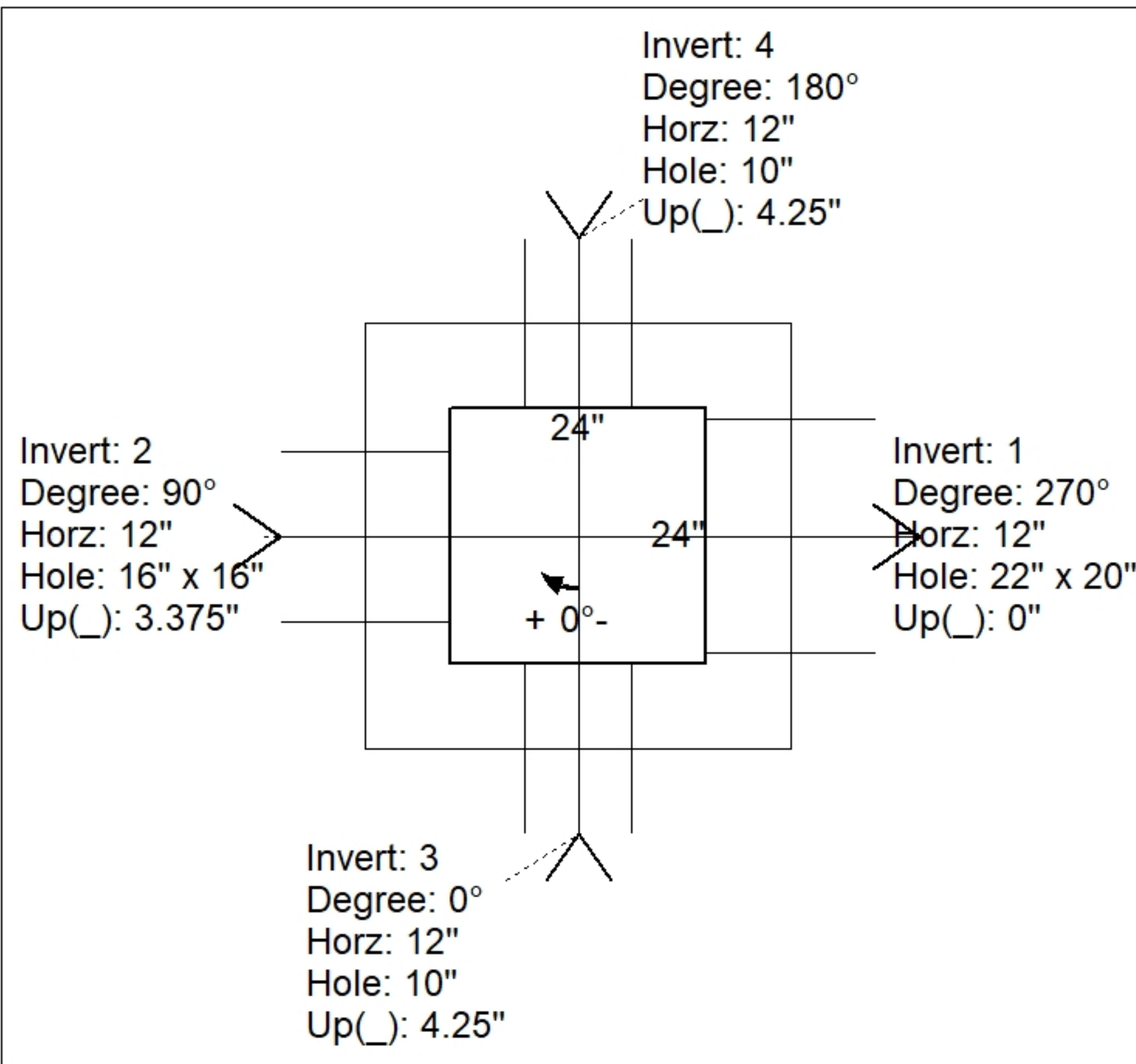
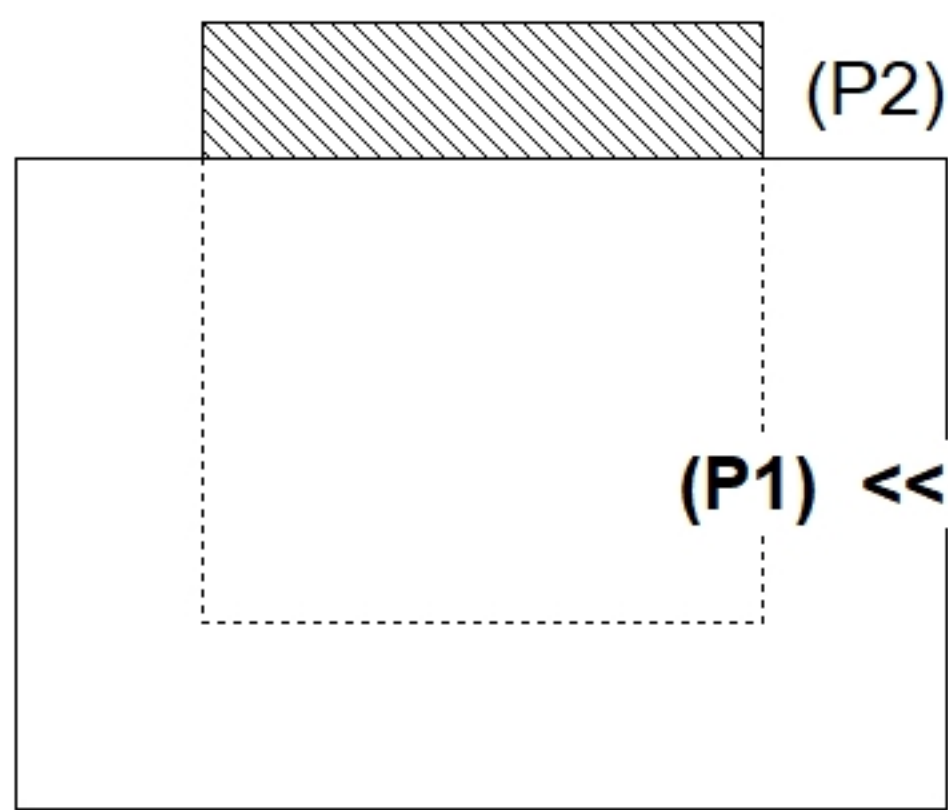
**Structure Notes:**  
 PLAN LABEL: B2  
 1. JBS-4330 PROVIDED BY ICAST.  
 2. PER ASTM C913 SPECIFICATIONS.  
 3. CONCRETE = 4,000 PSI AT 28 DAYS.  
 4. NO INVERT CHANNEL.  
 5. REINFORCING PER ASTM A615 (GRADE 60).  
 - WALLS (As .12) #5 BARS AT 12" C.C.E.W.  
 - FLOOR (As .12) #5 BARS AT 12" C.C.E.W.  
  
 6. WE HAVE RAISED THE RIM ELEVATION 2.024"  
 TO ALLOW FOR THE PIPE TO FIT UNDERNEATH  
 THE CASTING  
 (SHOWN IN THIS SUBMITTAL AS NEGATIVE 2" OF  
 SLACK)

Rim: 430.2'    Rim to Invert: 1.8'    Slack: -2.024"    Sump: 2.25"    Step Position:

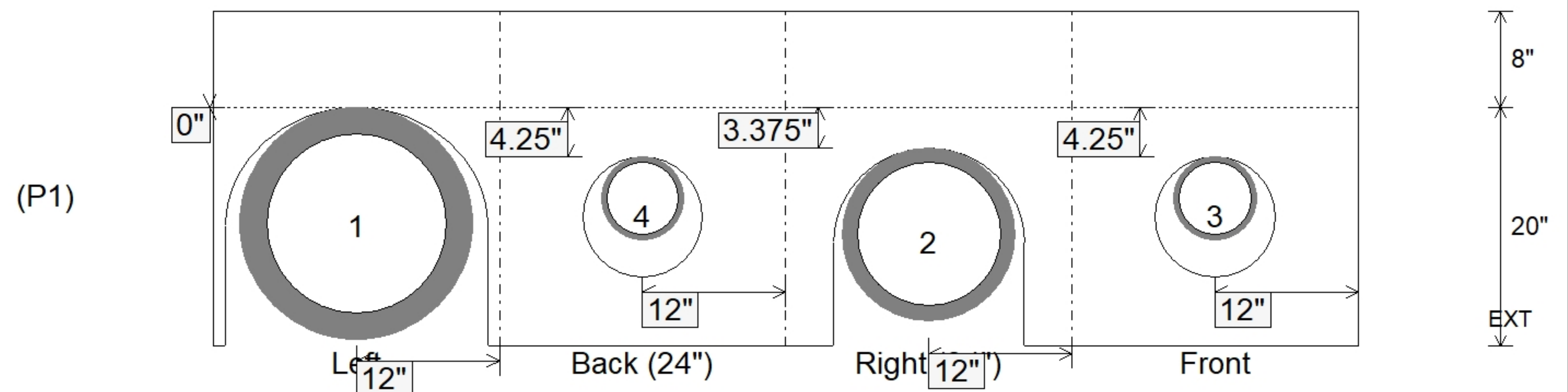
Position	Elev	Angle	Ext. (cw)	Pipe	Pipe OD	Connector	Hole	Horz Size	Up ( )	Offset
Invert 1	428.4'	270°	20"	15" RCP B WALL	19.5"	DOGHOUSE INVRTD 22"x20"	22" x 20"	22"	0"	0"
Invert 2	428.6'	90°	20"	12" HDPE	14.5"	DOGHOUSE INVRTD 16"x16"	16" x 16"	16"	3.375"	0"
Invert 3	428.6'	0°	20"	6" HDPE	6.9"	Hole 10	10"	10"	4.25"	0"
Invert 4	428.6'	180°	20"	6" HDPE	6.9"	Hole 10	10"	10"	4.25"	0"
Invert 5										
Invert 6										
Invert 7										
Invert 8										

RIGHT-SIDE UP VIEW (int. dimensions)

UPSIDE-DOWN VIEW (int. dimensions)



INSIDE WALL DIMENSIONS



Coating (Int): Coating (Ext):	Seam Up: Flat Seam Dn: n/a	Wall Thickness: 8" Floor Height: 8"	Height (Int): 20" Height (Ext): 28"	Weight (Net): 2264 lb Volume (Net): 0.58cu.yd
----------------------------------	-------------------------------	--	--	--