

Job Name: 24-2513 3rd & Monroe
Job Location: Nashville, TN
Contractor: Hayes Pipe Supply

PC: Trevor Lewis
 TECH: J. Horsley - A
 Plant: 100



Structure ID: A4
 Spec: Storm
 Type: STM.MH
 Size: 48"

Rim: 432'
 Invert: 425'
 Rim to Invert: 7'

Sump: 3"
 Floor (Top): 424.75'
 Floor Height: 6"

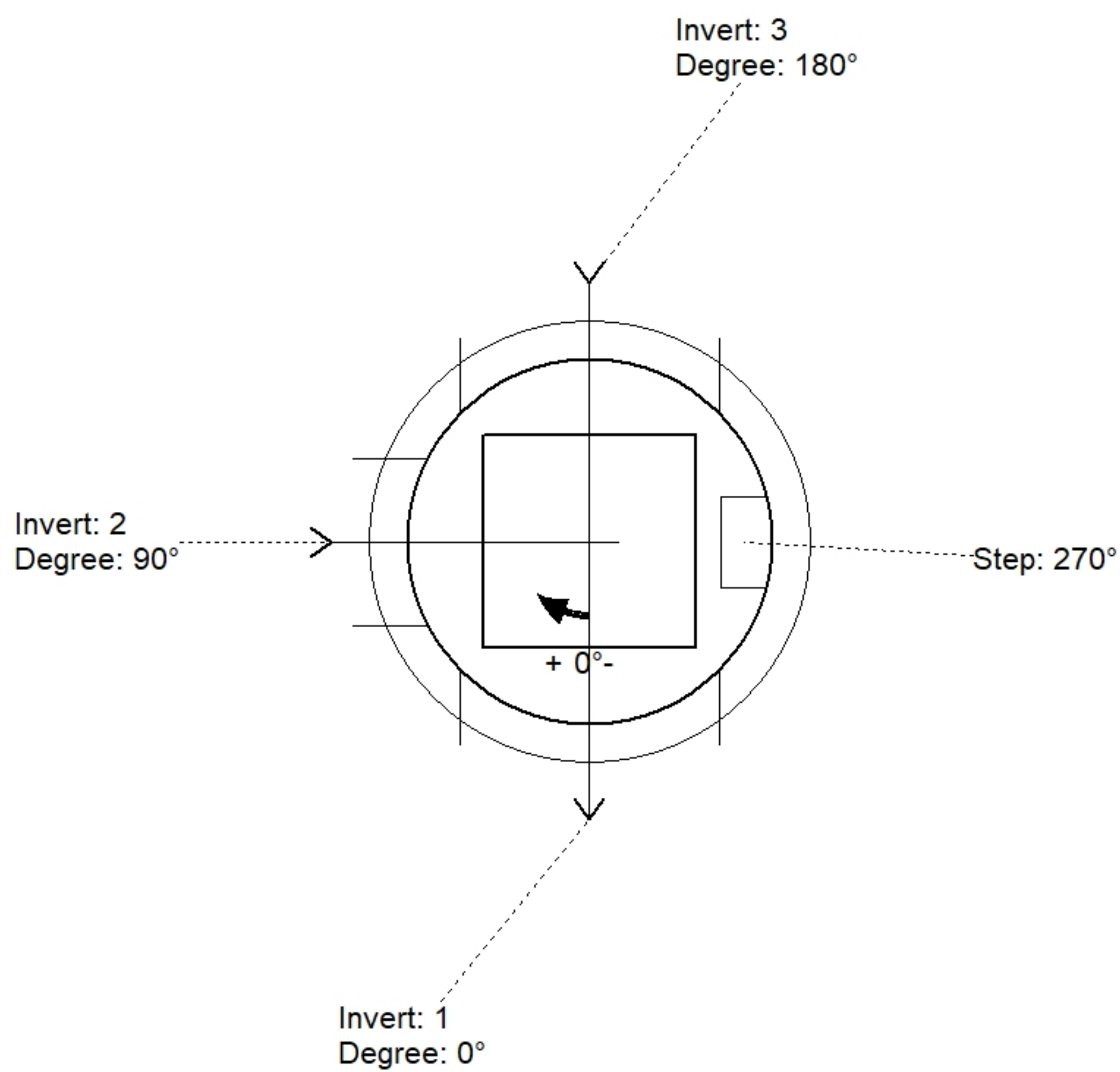
Floor (Bot): 424.25'
 Overall Height: 7.708'
 Slack: 0.5"

Structure Notes:

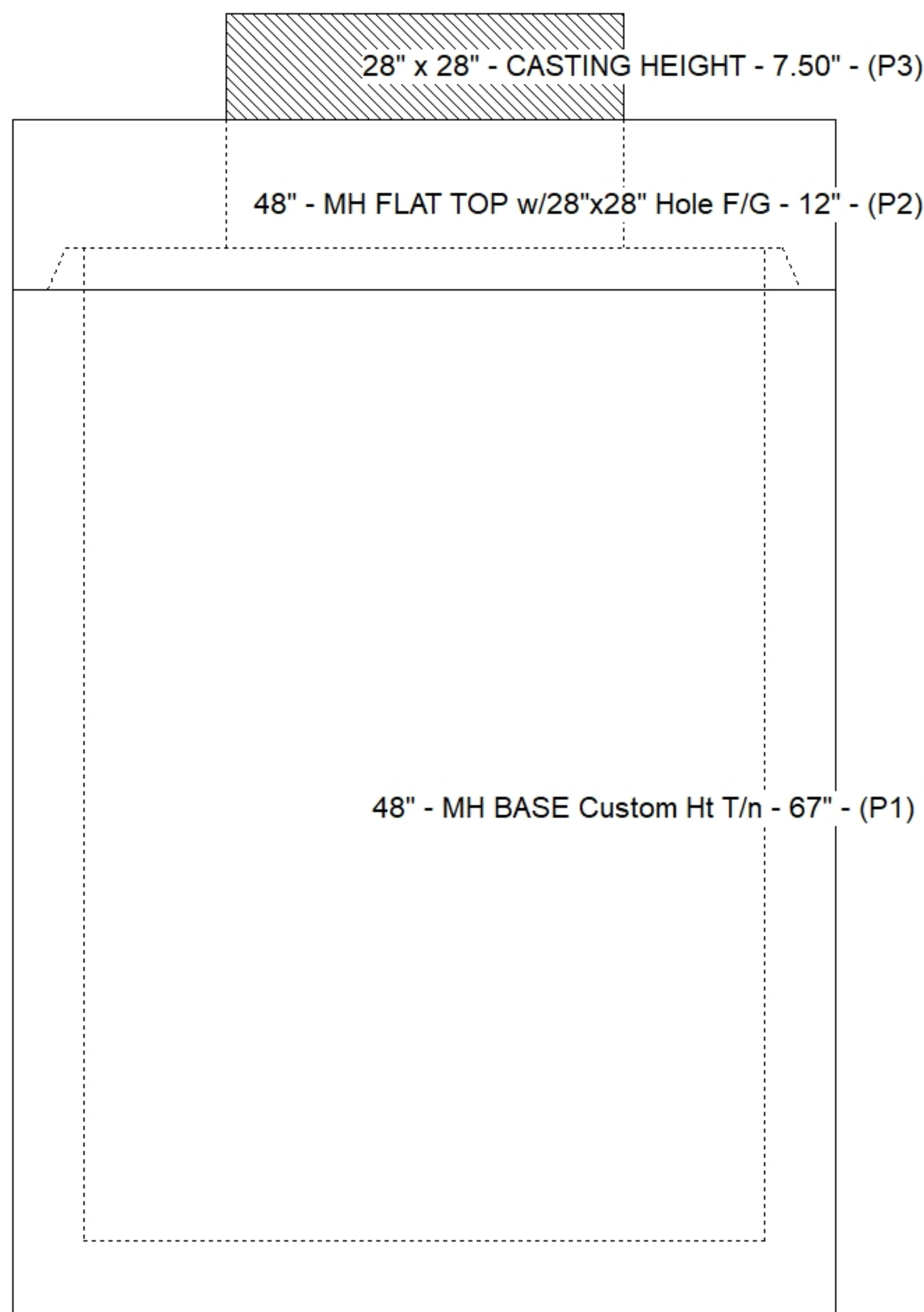
- PLAN LABEL: A4
- JBS-3300 PROVIDED BY OTHERS.
 - PER ASTM C478 SPECIFICATIONS.
 - CONCRETE = 4,000 PSI AT 28 DAYS.
 - REINFORCING PER ASTM A615 (GRADE 60).
 - TOP SLAB (As .62) #5 BARS AT 6" C.C.E.W..
 - RISER/WALLS (As .12)
 - FLOOR (As .31) #5 BARS AT 12" C.C.E.W.

STRUCTURE SUMMARY:

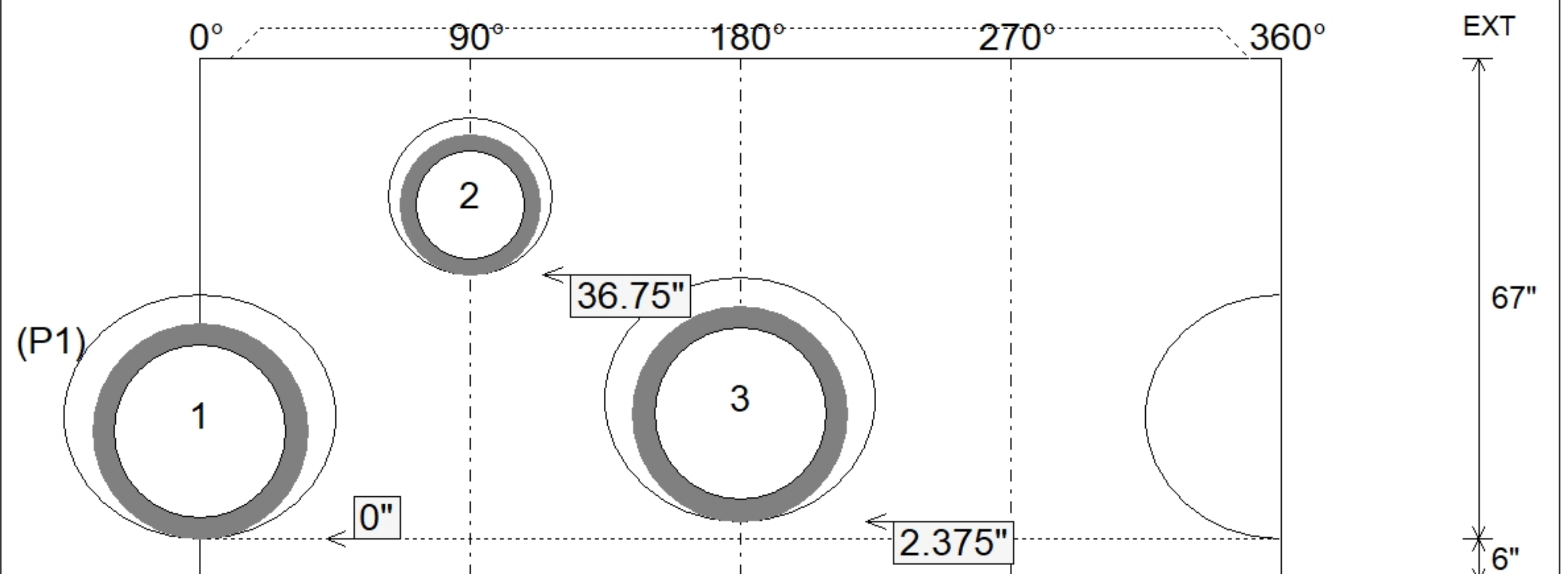
P3) 28" x 28" - CASTING HEIGHT - 7.50"	0 lb
P2) 48" - MH FLAT TOP w/28"x28" Hole F/G - 12"	1368 lb
P1) 48" - MH BASE Custom Ht T/n - 67"	5016 lb
1) 48" - Conseal CS-102 1.00"	0 lb
1) 28" x 28" - Conseal CS-102 1.00"	0 lb
2) Hole - 34	0 lb
1) Hole - 22	0 lb
5) MH Step ML-10-TDS-NCR - 10"	0 lb
Structure Total:	6384 lb



Position	Elev	Angle	Pipe	Pipe OD	Hole	Connector	Up (")	Ref
Rim	432'							
Reducer								
Invert 1	425'	0°	24" RCP B WALL	30"	34"	Hole 34	0"	P1
Invert 2	428'	90°	15" RCP B WALL	19.5"	22"	Hole 22	36.75"	P1
Invert 3	425.2'	180°	24" RCP B WALL	30"	34"	Hole 34	2.375"	P1
Invert 4								
Invert 5								
Invert 6								
Invert 7								
Invert 8								



Cast (Int. Dim.) - Interior Dimensions



Submittal Drawing
 11/17/2025 12:51:21 PM

SUBMITTAL
 APPROVED BY: