

Job Name: 24-2513 3rd & Monroe
Job Location: Nashville, TN
Contractor: Hayes Pipe Supply

PC: Trevor Lewis
 TECH: J. Horsley - A
 Plant: 100



Structure ID: A3
 Spec: Storm
 Type: BX 6inW, 6inF
 Size: 28" x 64"

Rim: 434.2'
 Invert: 426.9'
 Rim to Invert: 7.3'

Sump: 3"
 Floor (Top): 426.65'
 Floor Height: 6"

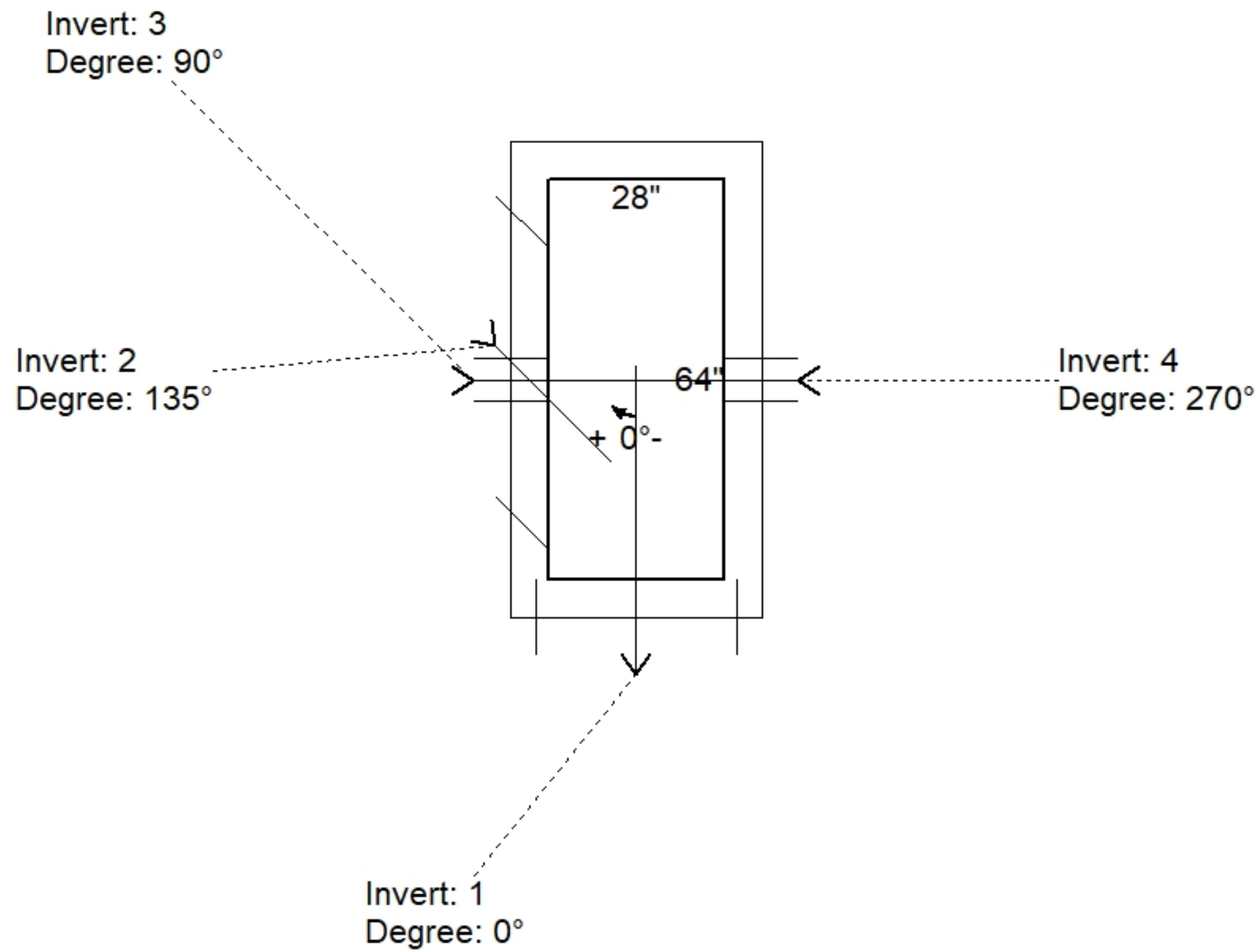
Floor (Bot): 426.15'
 Overall Height: 8.042'
 Slack: 0.1"

Structure Notes:

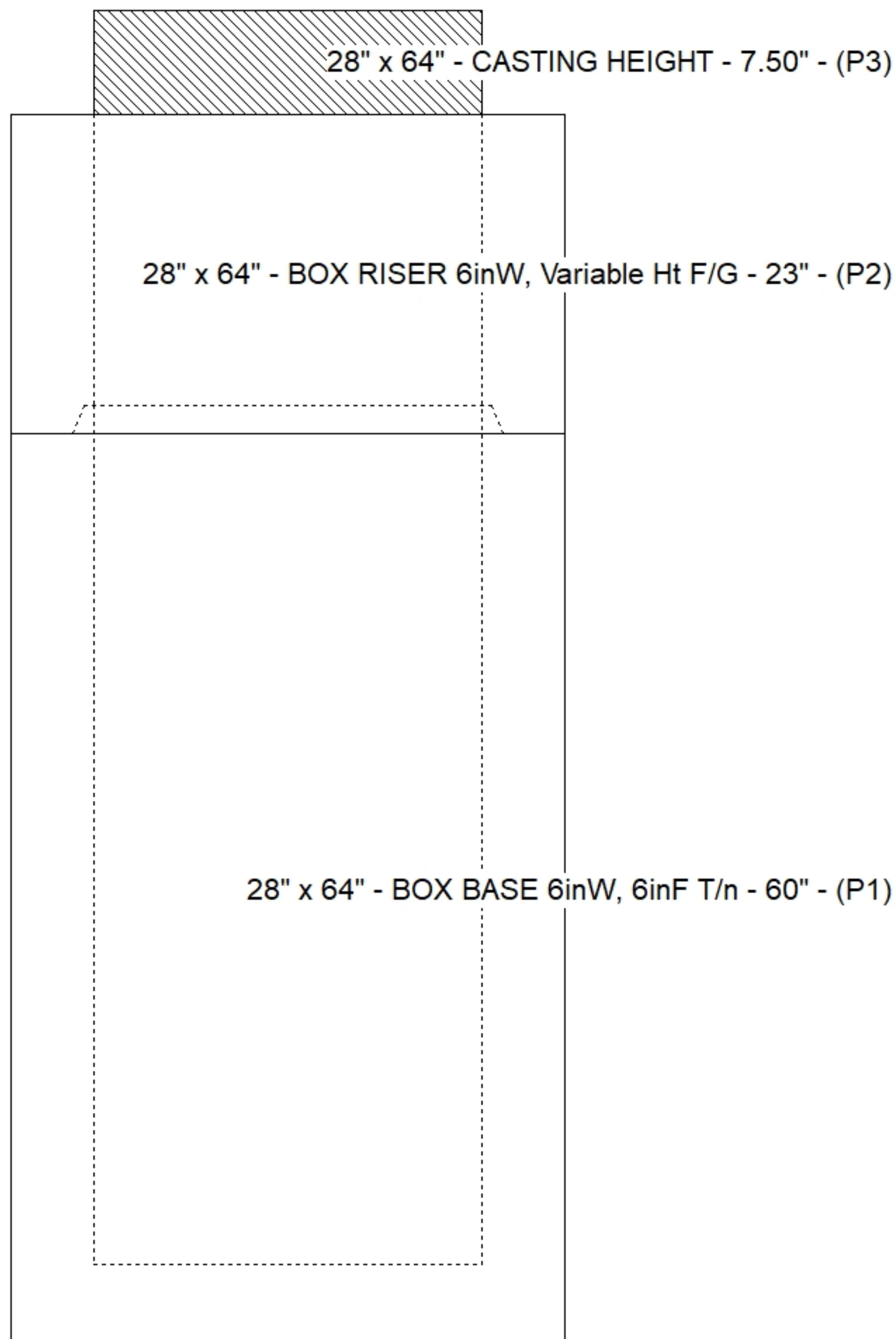
- PLAN LABEL: A3
- JBS-3300 PROVIDED BY ICAST.
 - PER ASTM C913 SPECIFICATIONS.
 - CONCRETE = 4,000 PSI AT 28 DAYS.
 - NO INVERT CHANNEL.
 - REINFORCING PER ASTM A615 (GRADE 60).
 - WALLS (As .31) #5 BARS AT 12" C.C.E.W.
 - FLOOR (As .31) #5 BARS AT 12" C.C.E.W.

STRUCTURE SUMMARY:

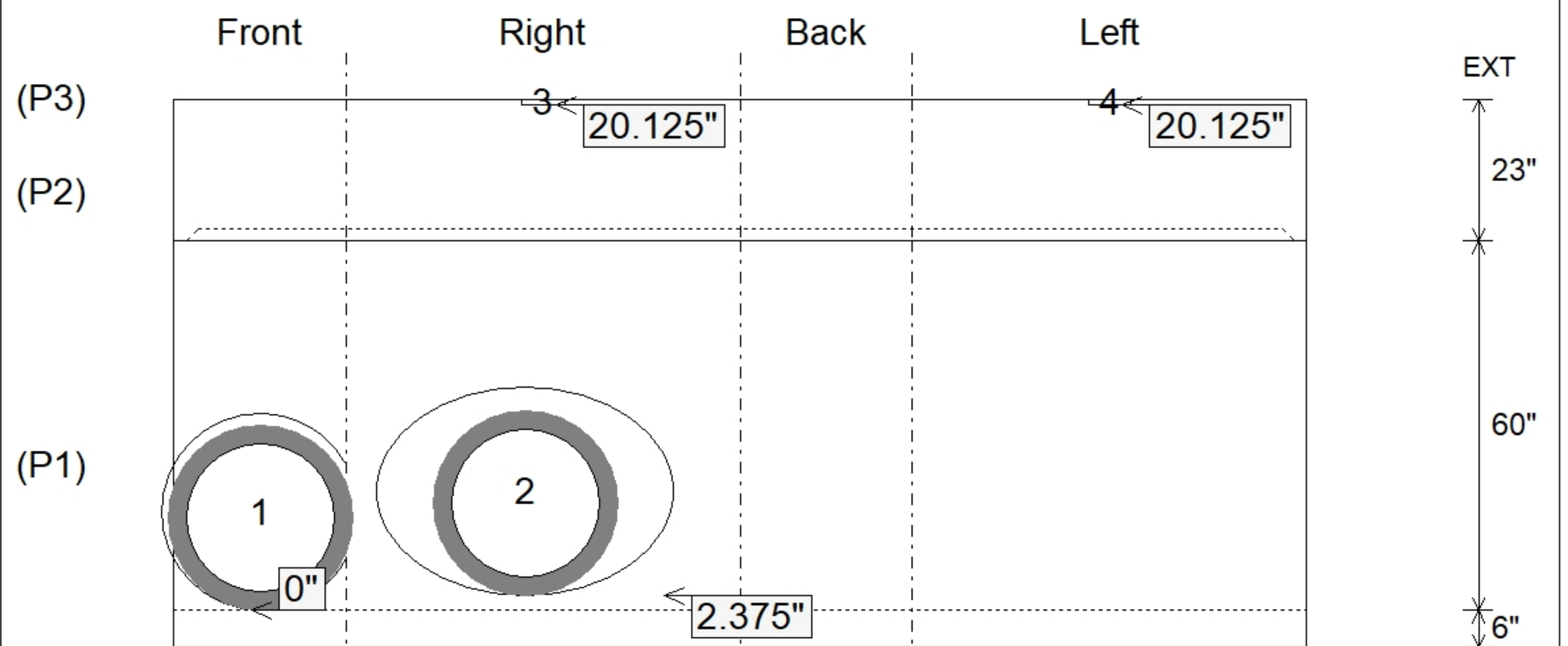
| | |
|---|----------------|
| P3) 28" x 64" - CASTING HEIGHT - 7.50" | 0 lb |
| P2) 28" x 64" - BOX RISER 6inW, Variable Ht F/G - 23" | 2402 lb |
| P1) 28" x 64" - BOX BASE 6inW, 6inF T/n - 60" | 6864 lb |
| 2) 28" x 64" - Con Seal CS-102 1.00" | 0 lb |
| 1) Hole - 32 | 0 lb |
| 1) Hole - 34 | 0 lb |
| 2) LINTEL BAR SLOT n/n - 7"x1" | 0 lb |
| Structure Total: | 9266 lb |



| Position | Elev | Angle | Pipe | Pipe OD | Hole | Connector | Up (") | Ref |
|----------|---------|-------|-------------------------|---------|---------|-----------------------|---------|-----|
| Rim | 434.2' | | | | | | | |
| Reducer | | | | | | | | |
| Invert 1 | 426.9' | 0° | 24" RCP B WALL | 30" | 32" | Hole 32 | 0" | P1 |
| Invert 2 | 427.1' | 135° | 24" RCP B WALL | 30" | 34" | Hole 34 | 2.375" | P1 |
| Invert 3 | 433.49' | 90° | 7" x 1" LINTEL BAR SLOT | 7" x 1" | 7" x 1" | LINTEL BAR SLOT 7"x1" | 20.125" | P2 |
| Invert 4 | 433.49' | 270° | 7" x 1" LINTEL BAR SLOT | 7" x 1" | 7" x 1" | LINTEL BAR SLOT 7"x1" | 20.125" | P2 |
| Invert 5 | | | | | | | | |
| Invert 6 | | | | | | | | |
| Invert 7 | | | | | | | | |
| Invert 8 | | | | | | | | |



Cast (Int. Dim.) - Interior Dimensions



Submittal Drawing
 11/17/2025 12:51:20 PM

SUBMITTAL
 APPROVED BY: