

**Structure ID: A3**

**P1 BX2864-06BA60**

**BOX BASE 6inW, 6inF T/n**

P3) 28" x 64" - CASTING HEIGHT - 7.50" P2) 28" x 64" - BOX RISER 6inW, Variable Ht F/G - 23" P1) 28" x 64" - BOX BASE 6inW, 6inF T/n - 60" 2) 28" x 64" - Conseal CS-102 1.00" 1) Hole - 32 1) Hole - 34 2) LINTEL BAR SLOT n/n - 7"x1"	0 lb 2402 lb 6864 lb 0 lb 0 lb 0 lb 0 lb 0 lb ----- 9266 lb	Structure Total: 9266 lb
-----------------------------------------------------------------------------------------------------------------------------------------------------------------------------------------------------------------------------------------------------------	----------------------------------------------------------------------------------------	--------------------------

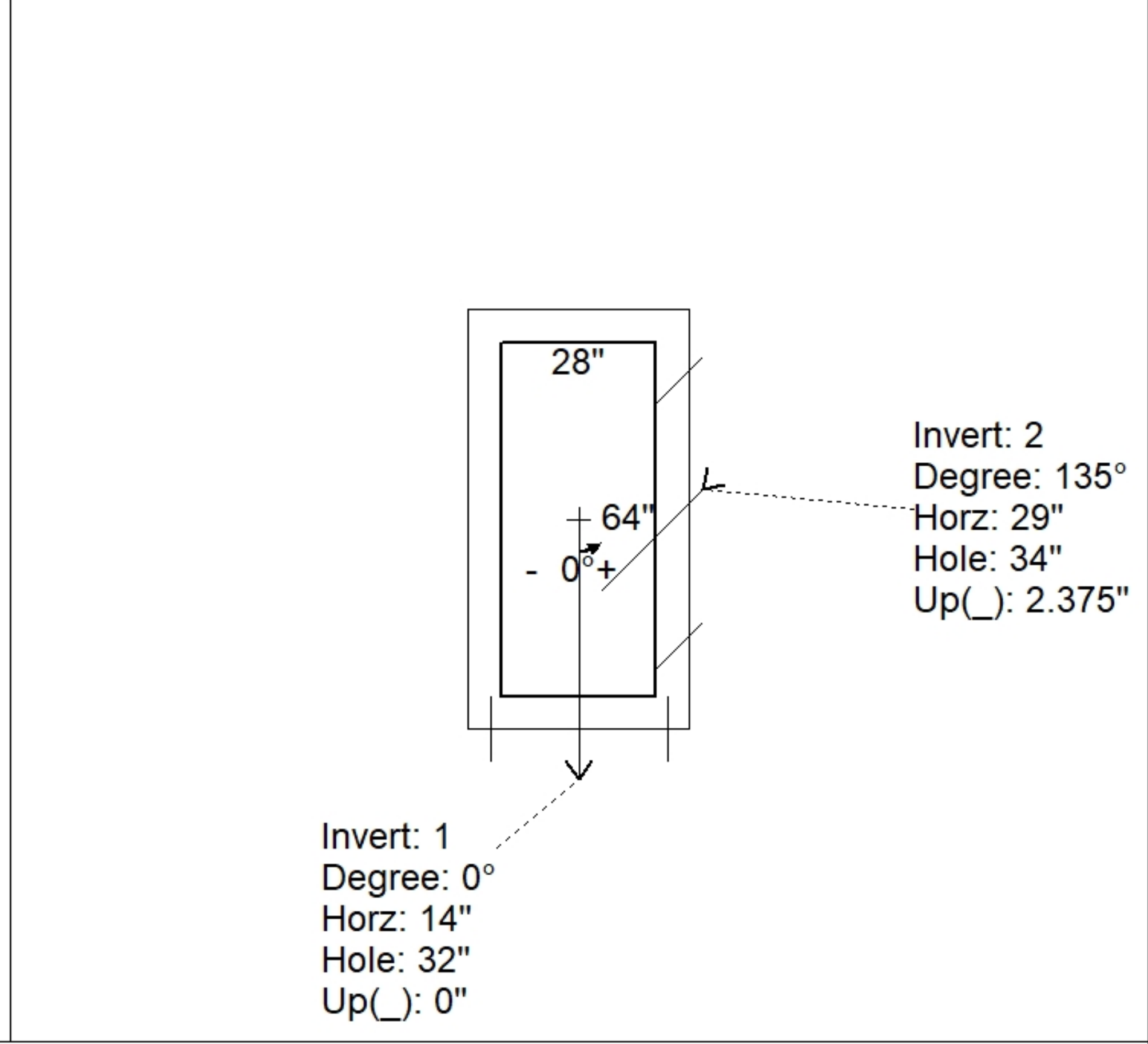
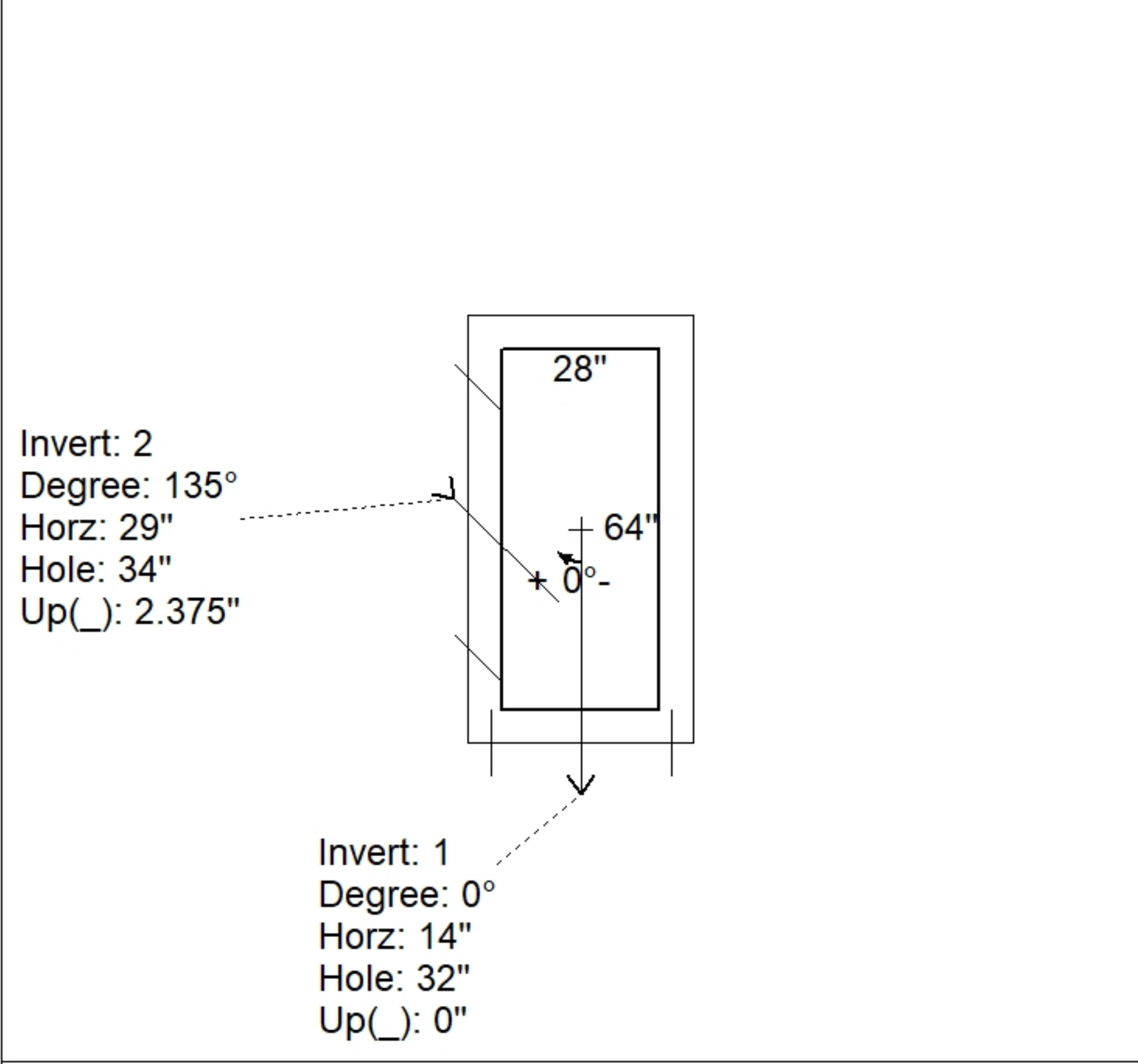
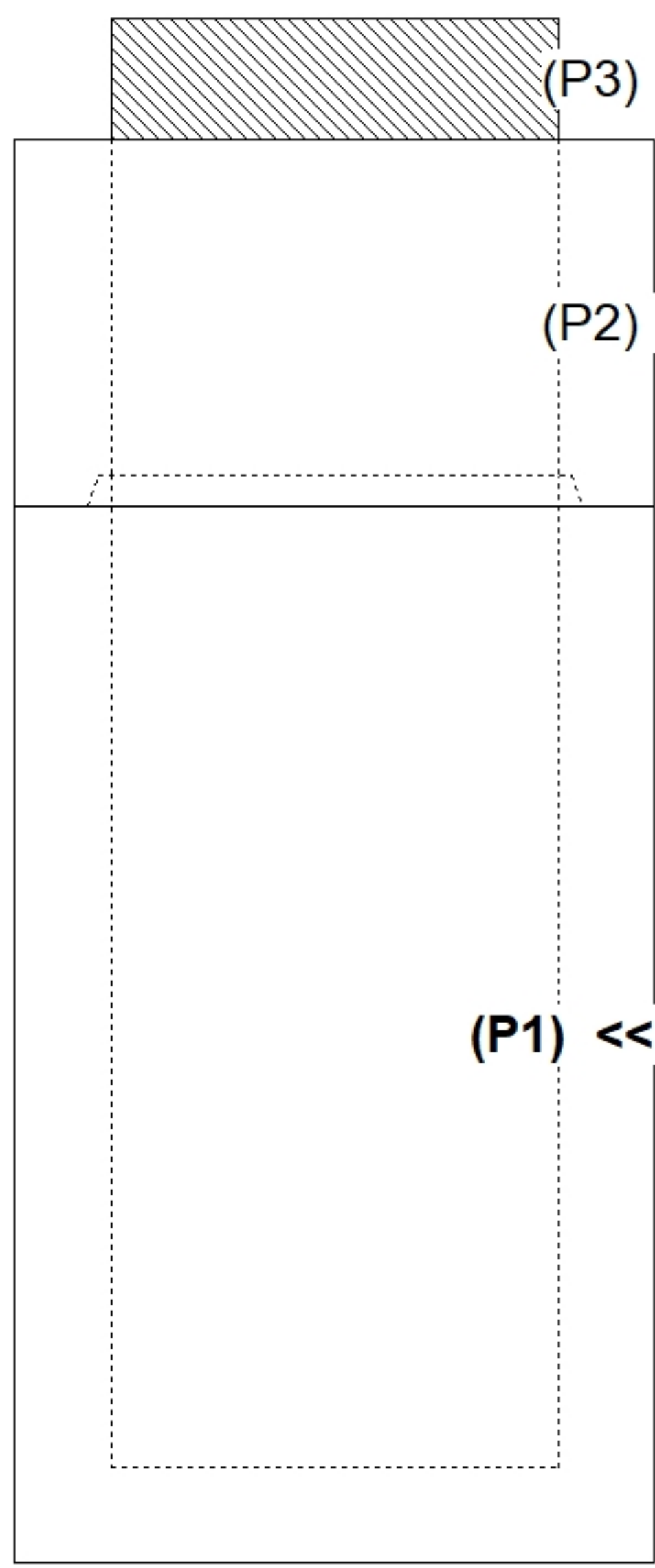
**Structure Notes:**  
 PLAN LABEL: A3  
 1. JBS-3300 PROVIDED BY ICAST.  
 2. PER ASTM C913 SPECIFICATIONS.  
 3. CONCRETE = 4,000 PSI AT 28 DAYS.  
 4. NO INVERT CHANNEL.  
 5. REINFORCING PER ASTM A615 (GRADE 60).  
 - WALLS (As .31) #5 BARS AT 12" C.C.E.W.  
 - FLOOR (As .31) #5 BARS AT 12" C.C.E.W.

Rim: 434.2'    Rim to Invert: 7.3'    Slack: 0.1"    Sump: 3"    Step Position:

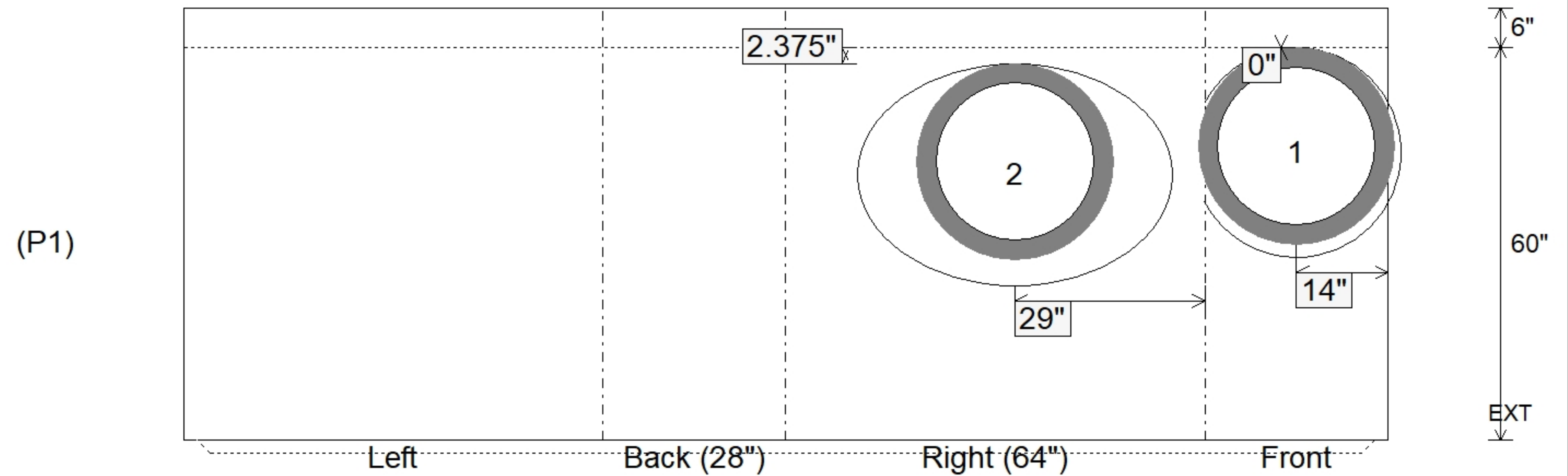
Position	Elev	Angle	Ext. (cw)	Pipe	Pipe OD	Connector	Hole	Horz Size	Up ( )	Offset
Invert 1	426.9'	0°	20"	24" RCP B WALL	30"	Hole 32	32"	30"	0"	0"
Invert 2	427.1'	135°	41"	24" RCP B WALL	30"	Hole 34	34"	48.083"	2.375"	-12"
Invert 3										
Invert 4										
Invert 5										
Invert 6										
Invert 7										
Invert 8										

RIGHT-SIDE UP VIEW (int. dimensions)

UPSIDE-DOWN VIEW (int. dimensions)



INSIDE WALL DIMENSIONS



Coating (Int): Coating (Ext):	Seam Up: Tongue Seam Dn: n/a	Wall Thickness: 6" Floor Height: 6"	Height (Int): 60" Height (Ext): 66"	Weight (Net): 6864 lb Volume (Net): 1.75cu.yd
----------------------------------	---------------------------------	----------------------------------------	----------------------------------------	--------------------------------------------------