

Job Name: 24-2513 3rd & Monroe	Plant: 100	Tech: J. Horsley - A	
Job Location: Nashville, TN Contractor: Hayes Pipe Supply	11/17/2025 12:52:06 PM	PC: Trevor Lewis	

Structure ID: A2

P2 BX28640606-VH

BOX RISER 6inW, Variable Ht F/G

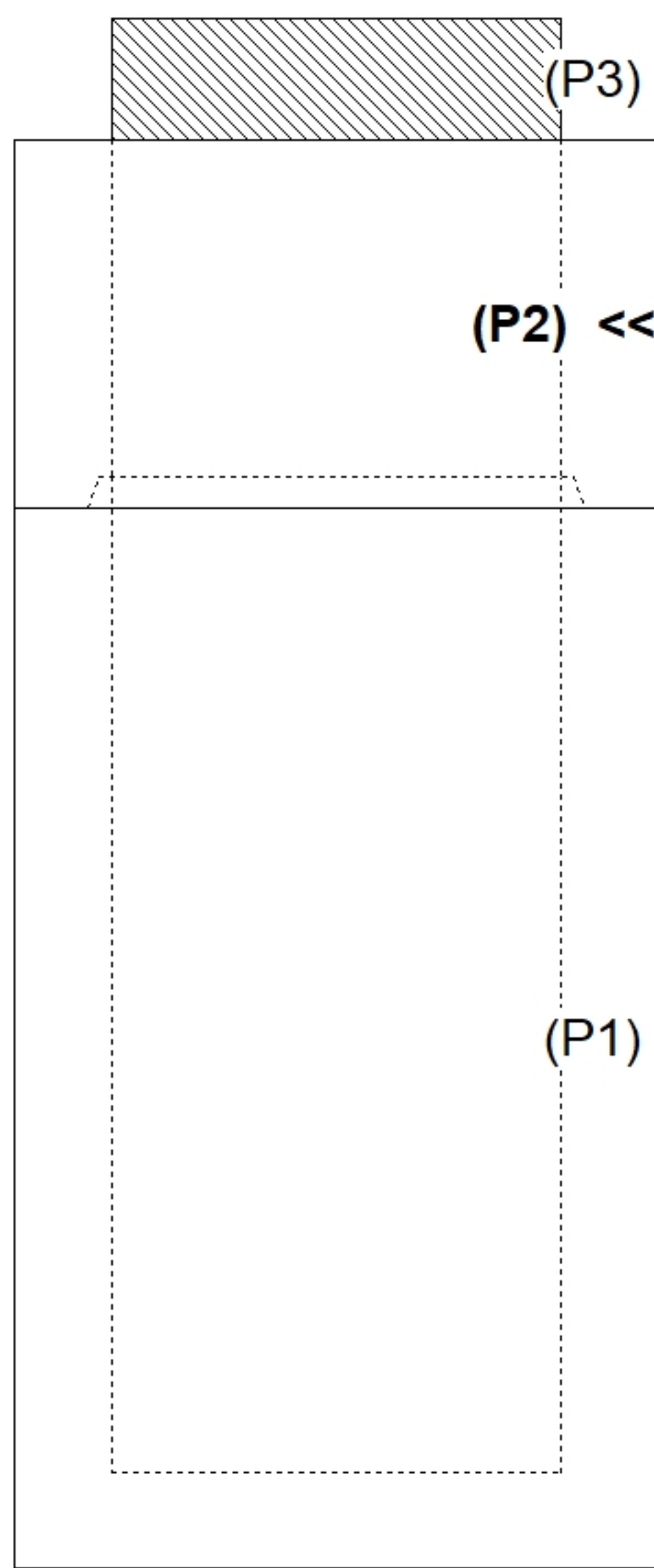
P3) 28" x 64" - CASTING HEIGHT - 7.50"	0 lb
P2) 28" x 64" - BOX RISER 6inW, Variable Ht F/G - 23"	2404 lb
P1) 28" x 64" - BOX BASE 6inW, 6inF T/n - 60"	6913 lb
2) 28" x 64" - Conseal CS-102 1.00"	0 lb
1) Hole - 34	0 lb
1) Hole - 32	0 lb
2) LINTEL BAR SLOT n/n - 7"x1"	0 lb
Structure Total:	9317 lb

Structure Notes:
 PLAN LABEL: A2
 1. JBS-3300 PROVIDED BY OTHERS.
 2. PER ASTM C913 SPECIFICATIONS.
 3. CONCRETE = 4,000 PSI AT 28 DAYS.
 4. NO INVERT CHANNEL.
 5. CASTING BY OTHERS.
 6. REINFORCING PER ASTM A615 (GRADE 60).
 - WALLS (As .31) #5 BARS AT 12" C.C.E.W.
 - FLOOR (As .31) #5 BARS AT 12" C.C.E.W.

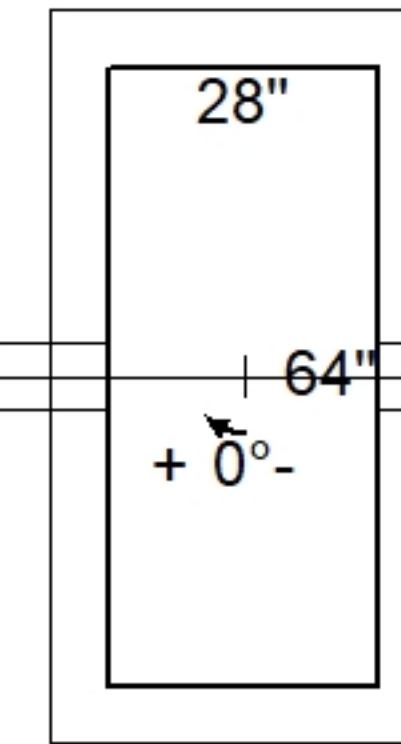
Rim: 434.92' Rim to Invert: 7.32' Slack: 0.34" Sump: 3" Step Position:

Position	Elev	Angle	Ext. (cw)	Pipe	Pipe OD	Connector	Hole	Horz Size	Up ()	Offset
Invert 1										
Invert 2										
Invert 3	434.21'	90°	38"	7" x 1" LINTEL BAR SLOT	7" x 1"	LINTEL BAR SLOT 7"x1"	7" x 1"	7"	20.375"	0"
Invert 4	434.21'	270°	38"	7" x 1" LINTEL BAR SLOT	7" x 1"	LINTEL BAR SLOT 7"x1"	7" x 1"	7"	20.375"	0"
Invert 5										
Invert 6										
Invert 7										
Invert 8										

RIGHT-SIDE UP VIEW (int. dimensions)

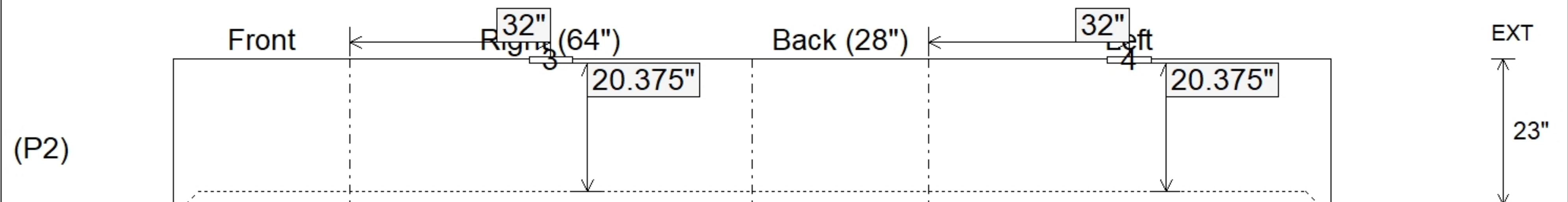


Invert: 3
 Degree: 90°
 Horz: 32"
 Hole: 7" x 1"
 Up(): 20.375"



Invert: 4
 Degree: 270°
 Horz: 32"
 Hole: 7" x 1"
 Up(): 20.375"

INSIDE WALL DIMENSIONS



Coating (Int):	Seam Up: Flat	Wall Thickness: 6"	Height (Int): 23"	Weight (Net): 2404 lb
Coating (Ext):	Seam Dn: Groove	Floor Height: 0"	Height (Ext): 23"	Volume (Net): 0.61cu.yd