

Structure ID: A1

P1 MH048BAVF

MH BASE Custom Ht F/n

P3) 28" x 28" - CASTING HEIGHT - 7.50" P2) 48" - MH FLAT TOP w/28"x28" Hole F/F - 7" P1) 48" - MH BASE Custom Ht F/n - 44" 1) 48" - Conseal CS-102 1.00" 1) 28" x 28" - Conseal CS-102 1.00" 1) Hole - 34 3) MH Step ML-10-TDS-NCR - 10"	0 lb 1091 lb 3989 lb 0 lb 0 lb 0 lb 0 lb ----- 5080 lb	Structure Total: 5080 lb
--	--	--------------------------

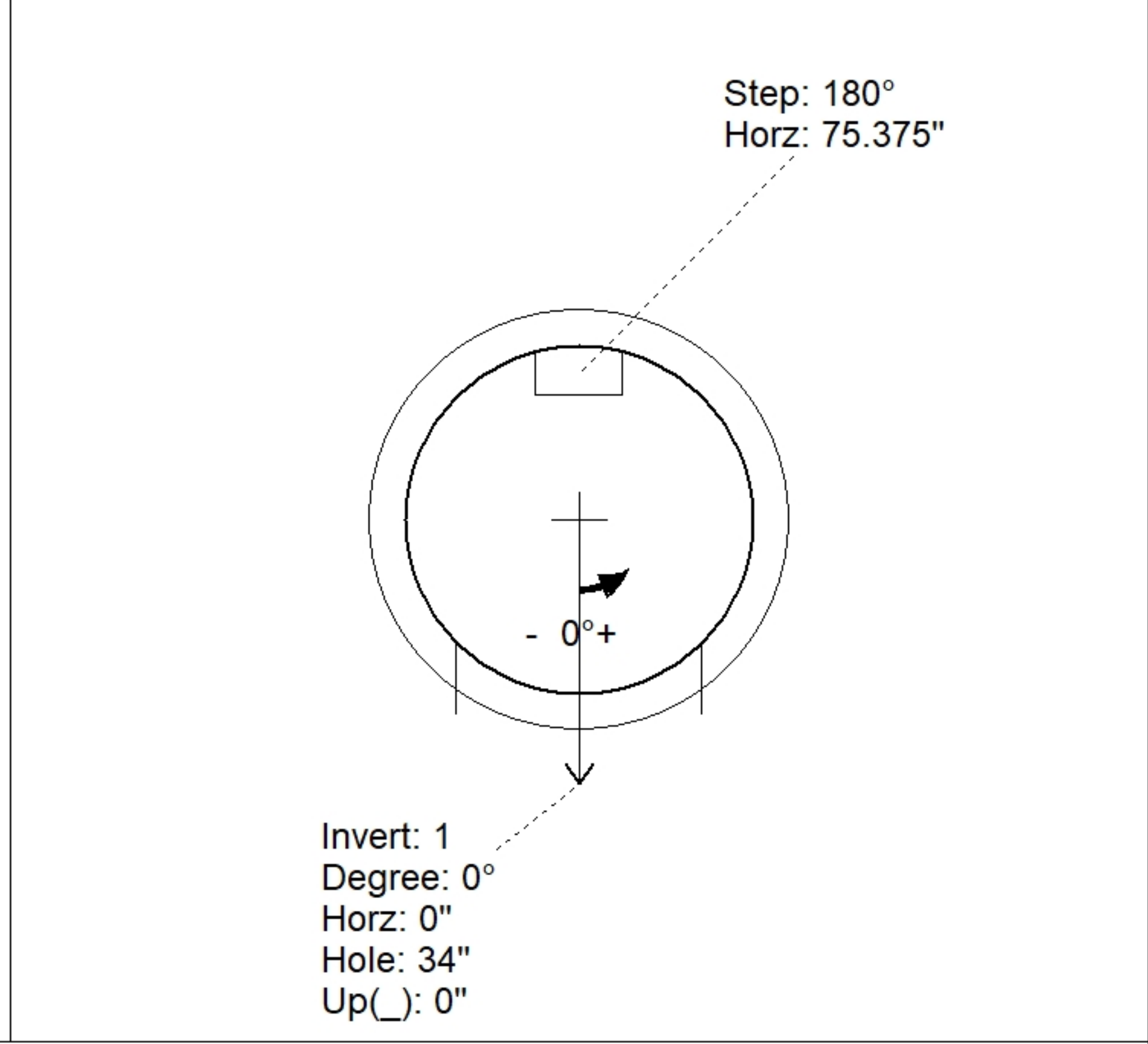
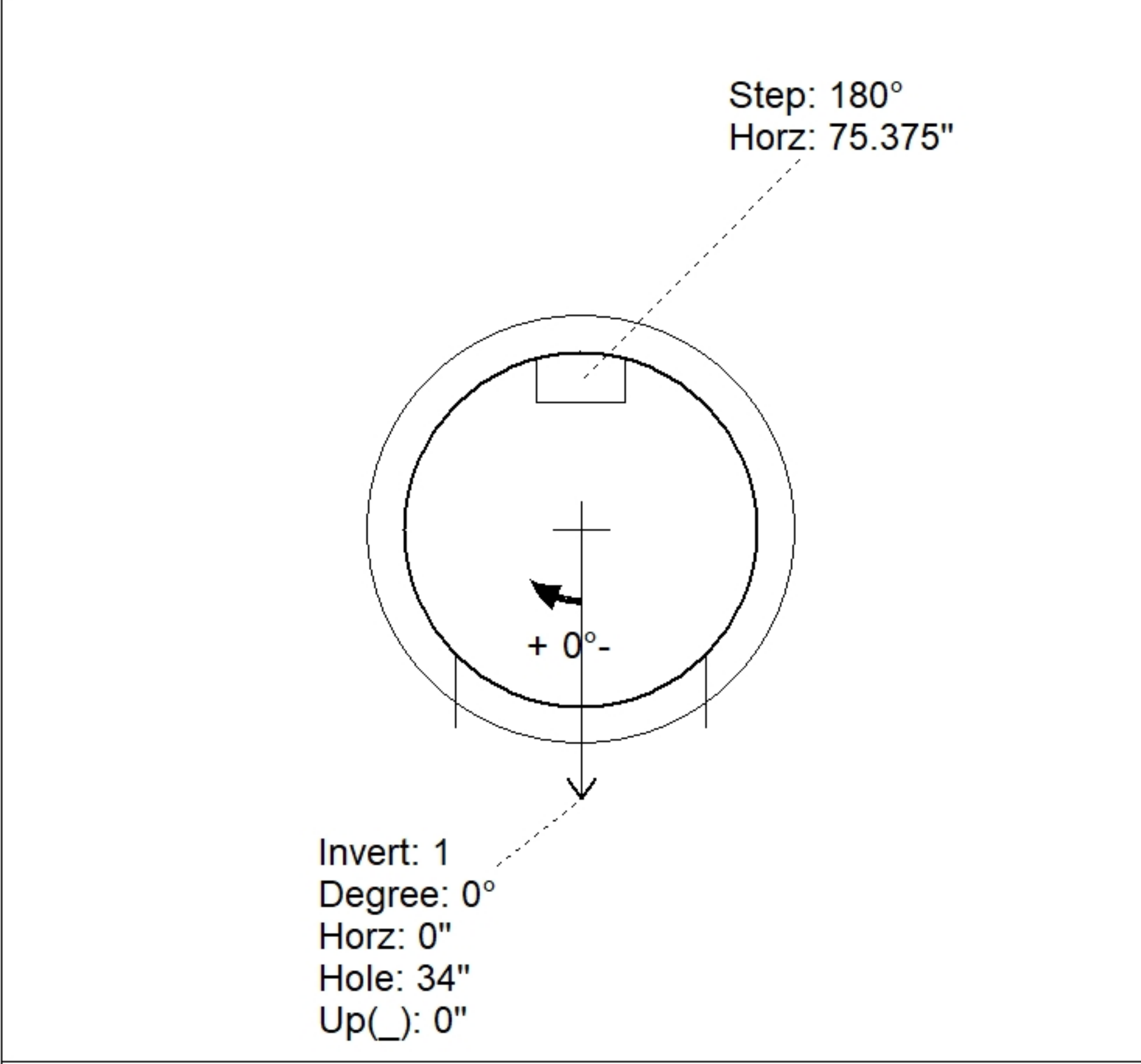
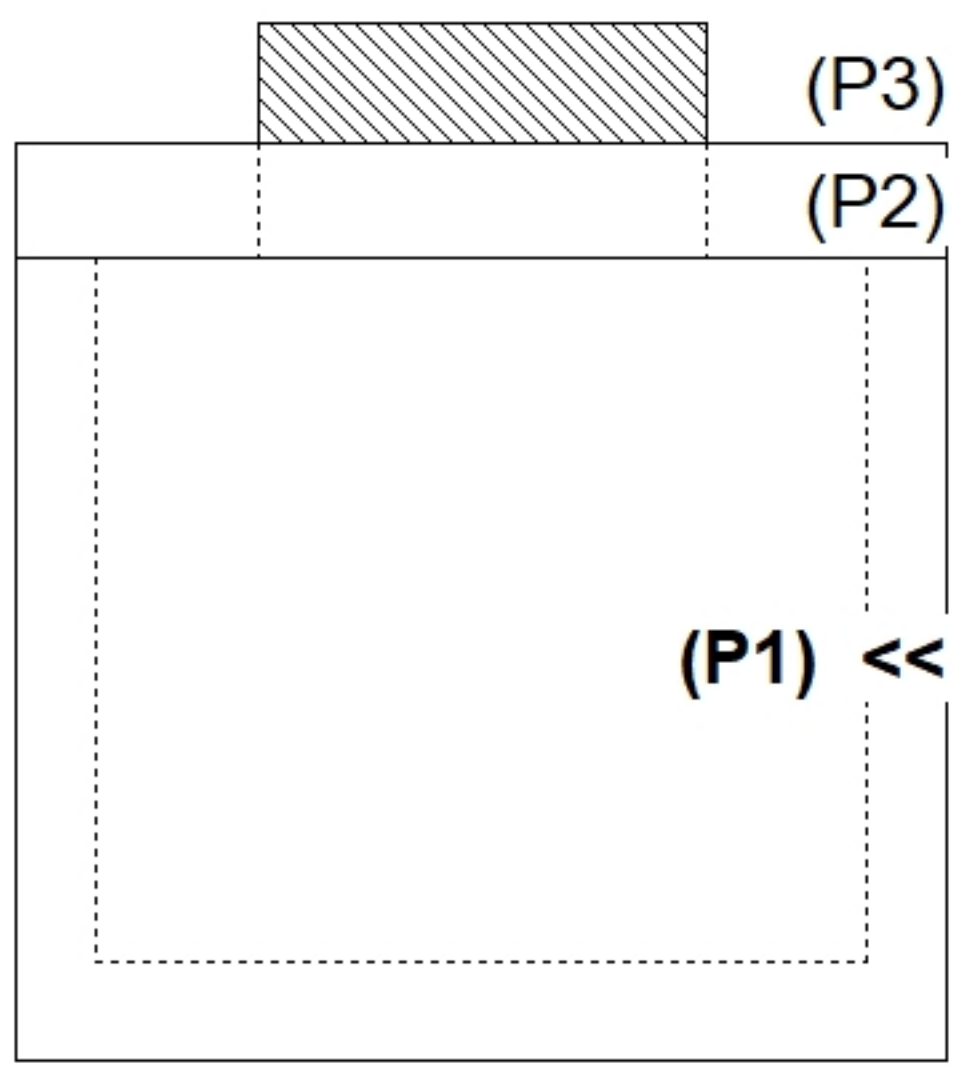
Structure Notes:
 PLAN LABEL: A1
 1. JBS-3300 PROVIDED BY OTHERS.
 2. PER ASTM C478 SPECIFICATIONS.
 3. CONCRETE = 4,000 PSI AT 28 DAYS.
 4. REINFORCING PER ASTM A615 (GRADE 60).
 - TOP SLAB (As .62) #5 BARS AT 6" C.C.E.W..
 - RISER/WALLS (As .12)
 - FLOOR (As .31) #5 BARS AT 12" C.C.E.W.

Rim: 437.2' Rim to Invert: 4.7' Slack: 0.9" Sump: 3" Step Position: 0°

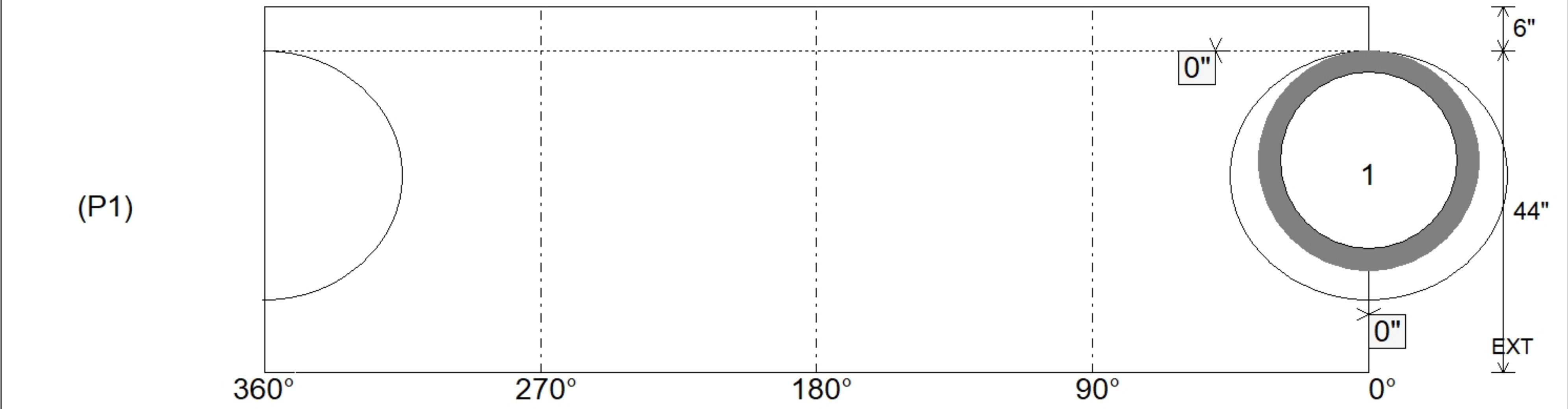
Position	Elev	Angle	Ext. (cw)	Pipe	Pipe OD	Connector	Hole	Horz Size	Up ()	Offset
Invert 1	432.5'	0°	0"	24" RCP B WALL	30"	Hole 34	34"	37.782"	0"	0"
Invert 2										
Invert 3										
Invert 4										
Invert 5										
Invert 6										
Invert 7										
Invert 8										

RIGHT-SIDE UP VIEW (int. dimensions)

UPSIDE-DOWN VIEW (int. dimensions)



INSIDE WALL DIMENSIONS



Coating (Int): Coating (Ext):	Seam Up: Flat Seam Dn: n/a	Wall Thickness: 5" Floor Height: 6"	Height (Int): 44" Height (Ext): 50"	Weight (Net): 3989 lb Volume (Net): 1.02cu.yd
----------------------------------	-------------------------------	--	--	--