

Job Name: 24-2447 Pikeville WWTP
Job Location: Pikeville, TN
Contractor: Oakley Equipment LLC

PC: A. Chambers
 TECH: J. Coppage
 Plant: Beaver Dam



Structure ID: **OCS-1**
 Spec: Storm
 Type: BX 8inW, 8inF
 Size: 48" x 48"

Rim: 815.5'
 Invert: 811'
 Rim to Invert: 4.5'

Sump: 0"
 Floor (Top): 811'
 Floor Height: 8"

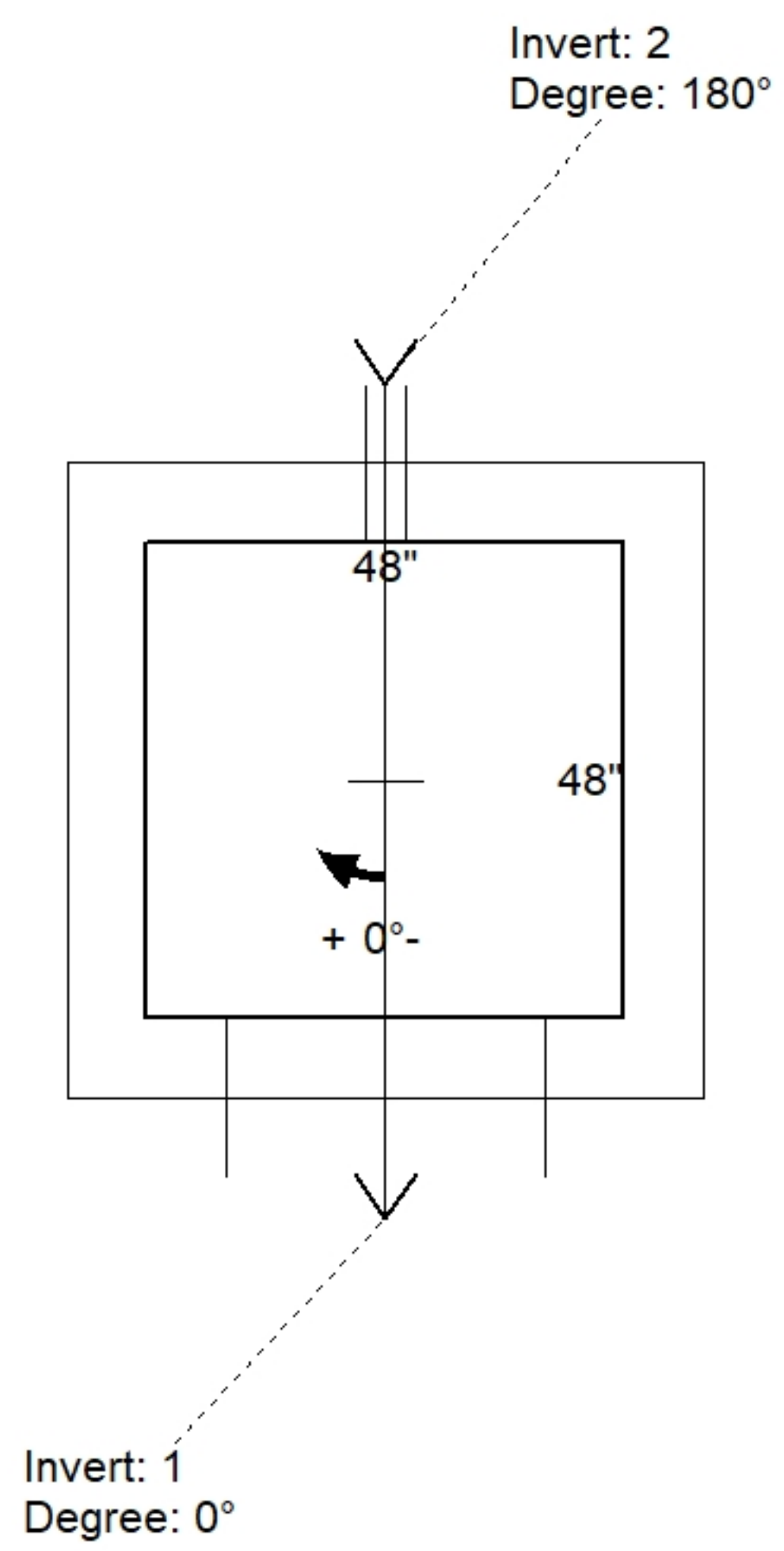
Floor (Bot): 810.333'
 Overall Height: 5.167'
 Slack: 0"

Structure Notes:

1. TRASH RACK LPK-4848 PROVIDED BY ICAST.
2. PER ASTM C913 SPECIFICATIONS.
3. CONCRETE = 4,000 PSI AT 28 DAYS.
4. REINFORCING PER ASTM A615 (GRADE 60).
 - TOP SLAB (As .62) #5 BARS AT 6" C.C.E.W..
 - RISER/WALLS (As .31) #5 BARS AT 12" C.C.E.W.
 - FLOOR (As .31) #5 BARS AT 12" C.C.E.W.

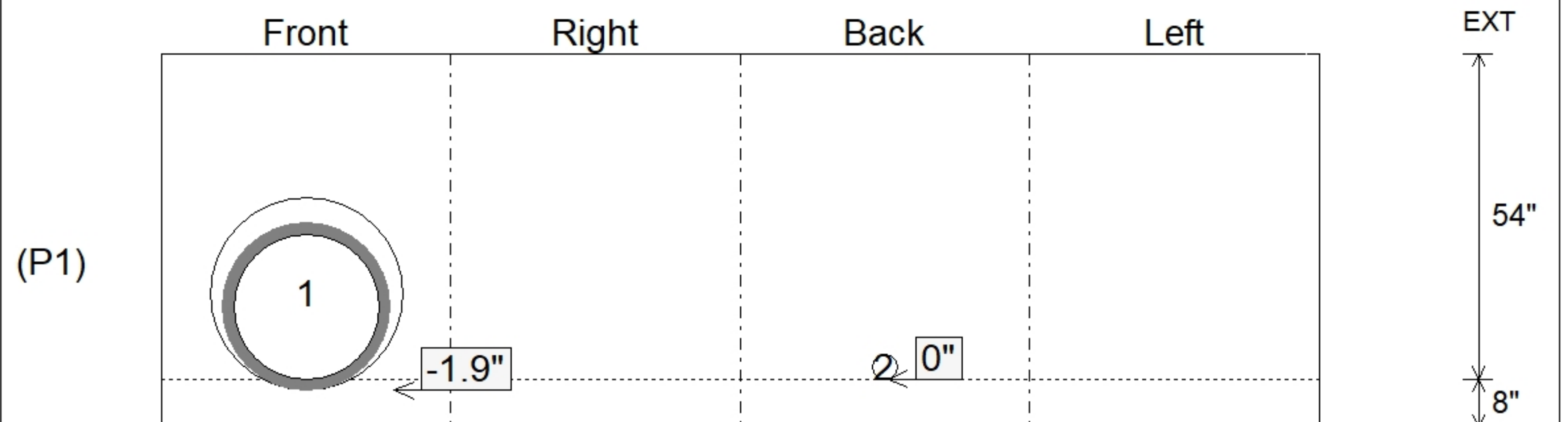
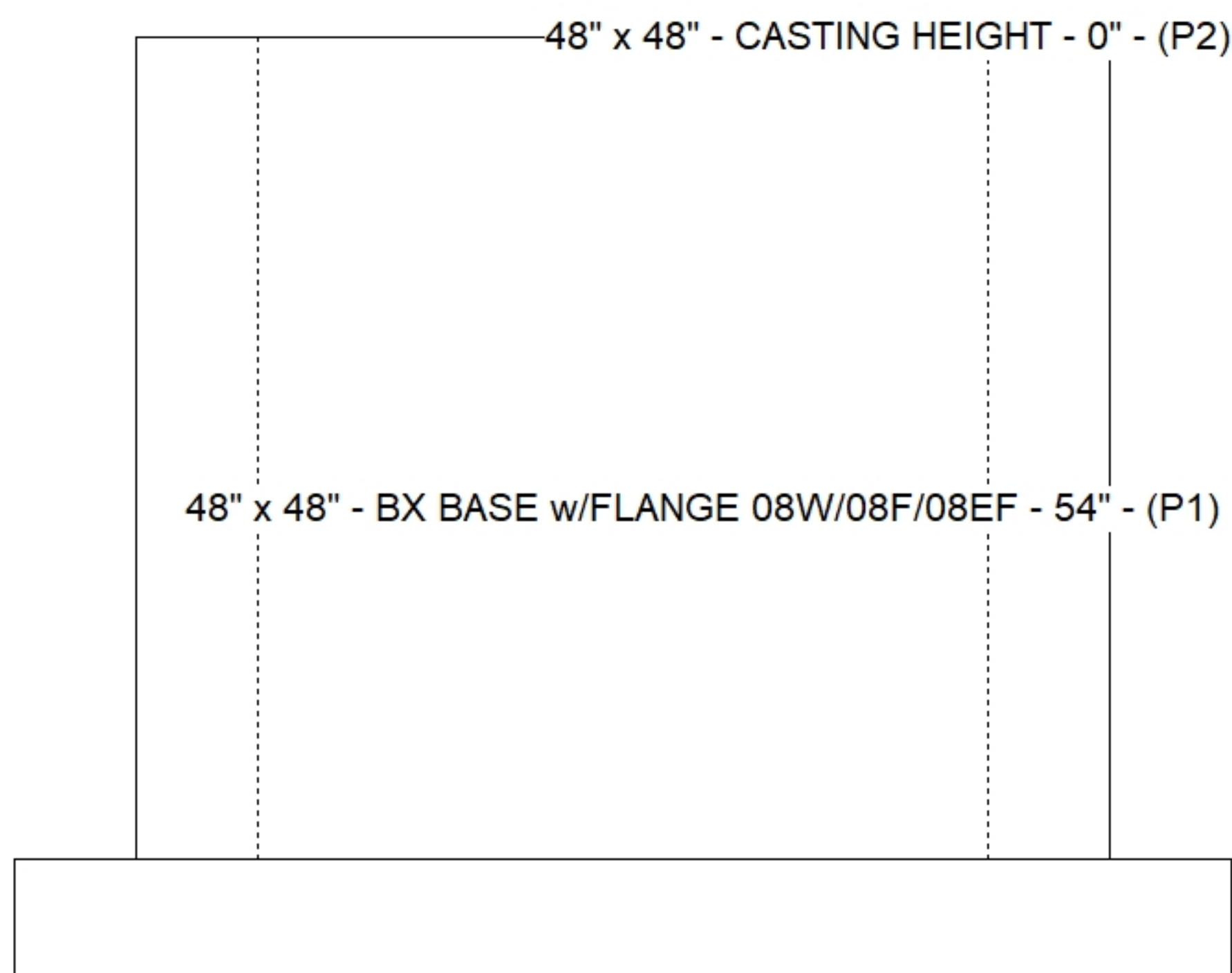
STRUCTURE SUMMARY:

P2) 48" x 48" - CASTING HEIGHT - 0"	0 lb
P1) 48" x 48" - BX BASE w/FLANGE 08W/08F/08EF - 54"	11868 lb
1) CASTING - TRASHRACKS LPK-48 Sq. Top Mount Trash Rack	326 lb
1) SECONDARY POUR - EXT FLANGE	0 lb
1) Hole - 32	0 lb
1) Orifice - 4"	0 lb
Structure Total:	12194 lb



Position	Elev	Angle	Pipe	Pipe OD	Hole	Connector	Up (")	Ref
Rim	815.5'							
Reducer								
Invert 1	811'	0°	24" HDPE	27.8"	32"	Hole 32	-1.9"	P1
Invert 2	811'	180°	4" Orifice	4"	4"	Orifice 4"	0"	P1
Invert 3								
Invert 4								
Invert 5								
Invert 6								
Invert 7								
Invert 8								

Default - Interior Dimensions



Submittal Drawing
 4/28/2026 12:43:57 PM

SUBMITTAL
 APPROVED BY: