

Job Name: 24-2287 Freedom Senior Apartments
 Job Location: Lexington, KY
 Contractor: Lagco Inc.

Plant: Beaver Dam, KY
 10/14/2025 11:57:43 AM

Tech: Evan Niles
 PC: Celina Goff



Structure ID: STMH-112

P1 MH048BAVF

MH BASE Custom Ht

- P3) 24" - CASTING HEIGHT - 7"
- P2) 48" - MH FLAT TOP w/ 24" ECC Hole - 12"
- P1) 48" - MH BASE Custom Ht - 70"
- 1) CASTING - HOE MC-315 F/C Storm
- 1) 48" - SGL 1"x14.5' Butyl (2x)
- 2) Hole - 16
- 6) MH Step ML-10-TDS-NCR - 10"

0 lb
 1561 lb
 6049 lb
 258 lb
 0 lb
 0 lb
 0 lb

 Structure Total: 7868 lb

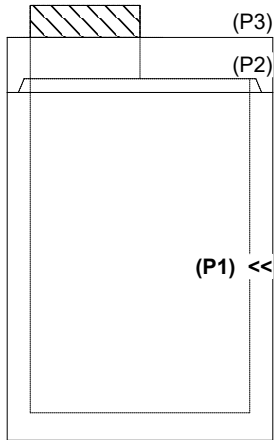
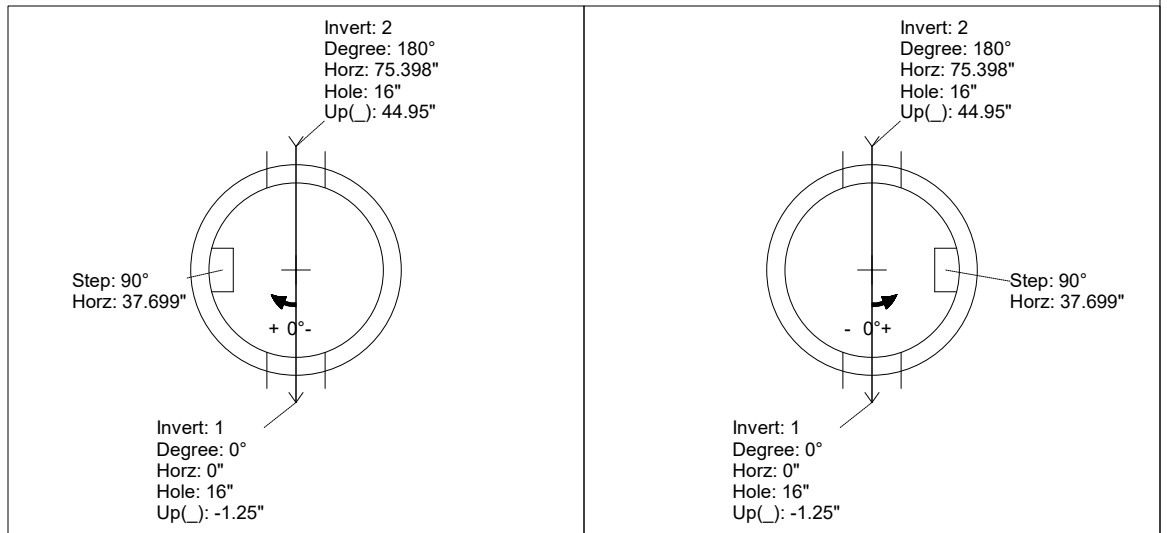
- Structure Notes:**
1. PER ASTM C478 SPECIFICATIONS.
 2. CONCRETE = 4,000 PSI AT 28 DAYS.
 3. REINFORCING PER ASTM A615 (GRADE 60).
 - TOP SLAB (As .62) #5 BARS AT 6" C.C.E.W..
 - RISER/WALLS (As .12)
 - FLOOR (As .31) #5 BARS AT 12" C.C.E.W.
 4. CASTING: JRH MC-315 STORM BY ICAST

Rim: 988.65' Rim to Invert: 7.43' Slack: 0.16" Sump: 0" Step Position: 90°

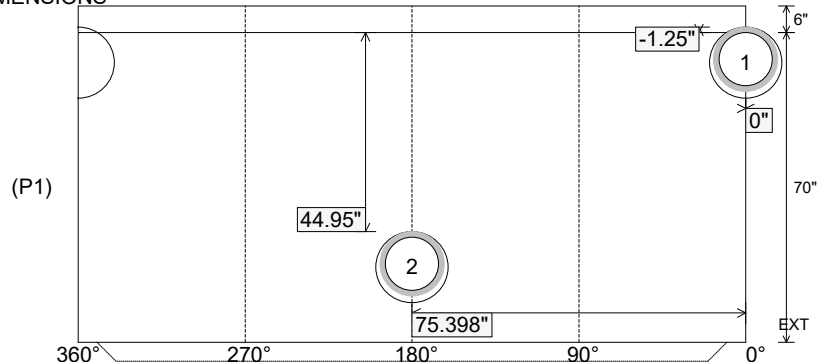
Position	Elev	Angle	Ext. (cw)	Pipe	Pipe OD	Connector	Hole	Horz Size	Up (↓)	Offset
Invert 1	981.22'	0°	0"	12" HDPE	14.5"	Hole 16	16"	16.312"	-1.25"	0"
Invert 2	985.07'	180°	91.106"	12" HDPE	14.5"	Hole 16	16"	16.312"	44.95"	0"
Invert 3										
Invert 4										
Invert 5										
Invert 6										
Invert 7										
Invert 8										

RIGHT-SIDE UP VIEW (int. dimensions)

UPSIDE-DOWN VIEW (int. dimensions)



INSIDE WALL DIMENSIONS



Coating (Int):
 Coating (Ext):

Seam Up: Tongue
 Seam Dn: n/a

Wall Thickness: 5"
 Floor Height: 6"

Height (Int): 70"
 Height (Ext): 76"

Weight (Net): 6049 lb
 Volume (Net): 1.54cu.yd