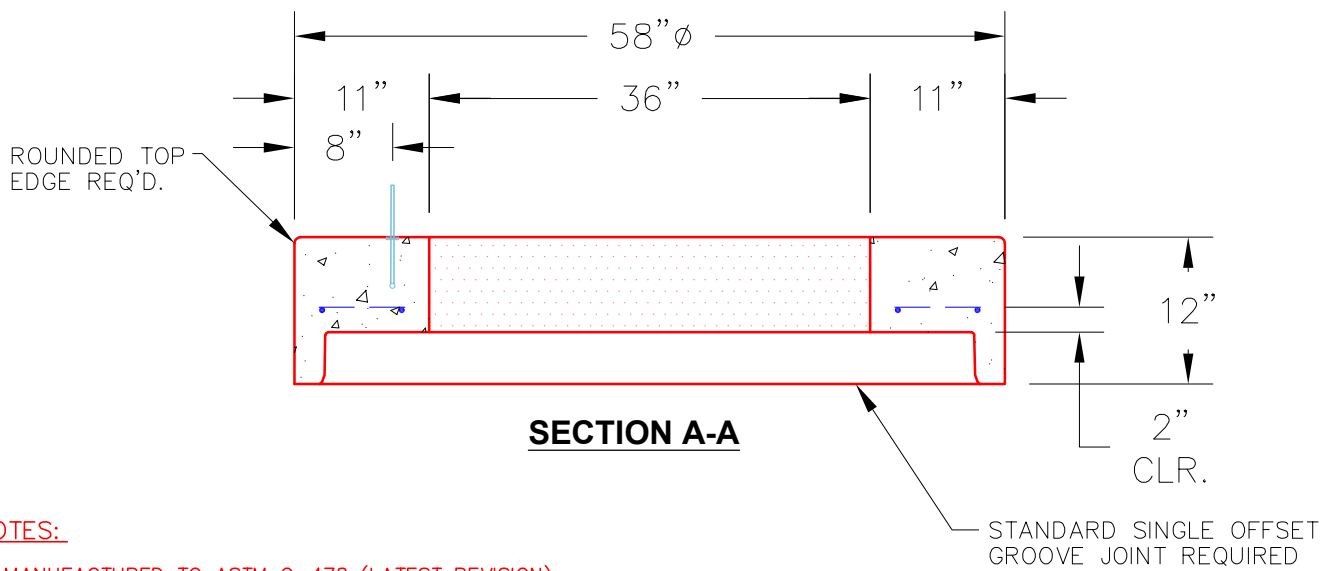
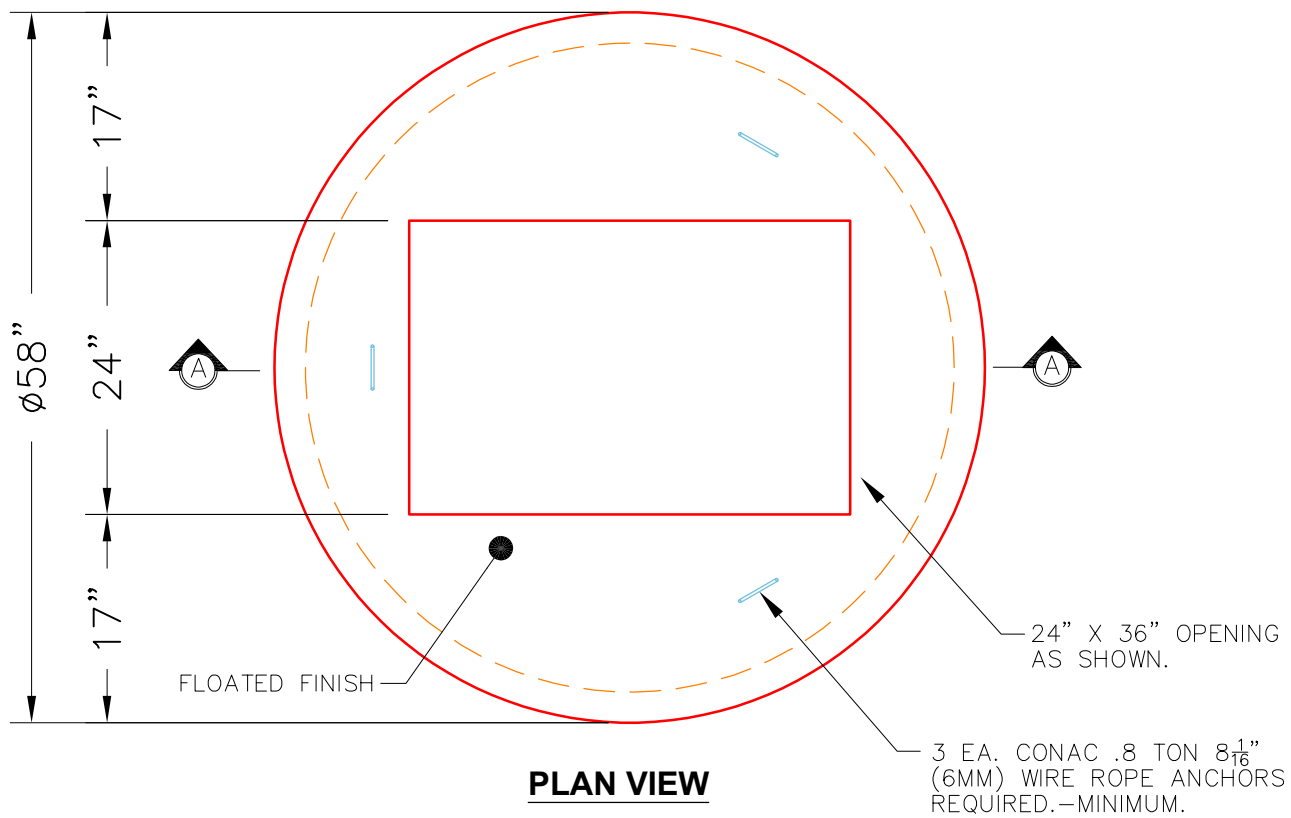



THIS DRAWING IS INTENDED TO BE PRINTED IN COLOR.



NOTES:

1. MANUFACTURED TO ASTM C-478 (LATEST REVISION).
2. CONCRETE: 5,000 PSI AT 28 DAYS.
3. REINFORCING: #4 BAR @ 10" O.C. E.W. (GRADE 60).

PRODUCTION WORK ORDER		PRODUCT I.D.: MH048LD12-24X36RECT	DESCRIPTION: 48"Ø X 12" MH TOP SLAB 24" X 36" RECT. OPENING	
	QUALITY CONTROL CHECKLIST		PRODUCT VIEW: RIGHT SIDE UP	
	<input type="checkbox"/> ALL DIMENSIONS CORRECT. <input type="checkbox"/> LIFTERS INSTALLED. <input type="checkbox"/> HOLE LOCATION CORRECT. <input type="checkbox"/> REINFORCING CORRECT. <input type="checkbox"/> FINISH ON SLAB SURFACE UNIFORM. <input type="checkbox"/> OUTSIDE TOP EDGE TROWELLED. <input type="checkbox"/> GROOVE JOINT INSTALLED.		CUSTOMER: LAGCO, INC.	
			PLANT: BEAVER DAM, KY.	
			PROJECT: FREEDOM SENIOR APARTMENTS	
			STRUCTURE: SCI-106	
		WEIGHT: 1,300 LBS.		
		TOP SECTION JOINT: N/A		
		QUOTE/SALES ORDER NO: 24-2287		
		BASE SECTION JOINT: GROOVE		
		PC: C. GOFF		
		DRAWING: J. COPPAGE		
		QC CHECK INITIALS:		
		DATE: 10/14/25		
		SCALE: NTS		
		PG. 1 of 1		